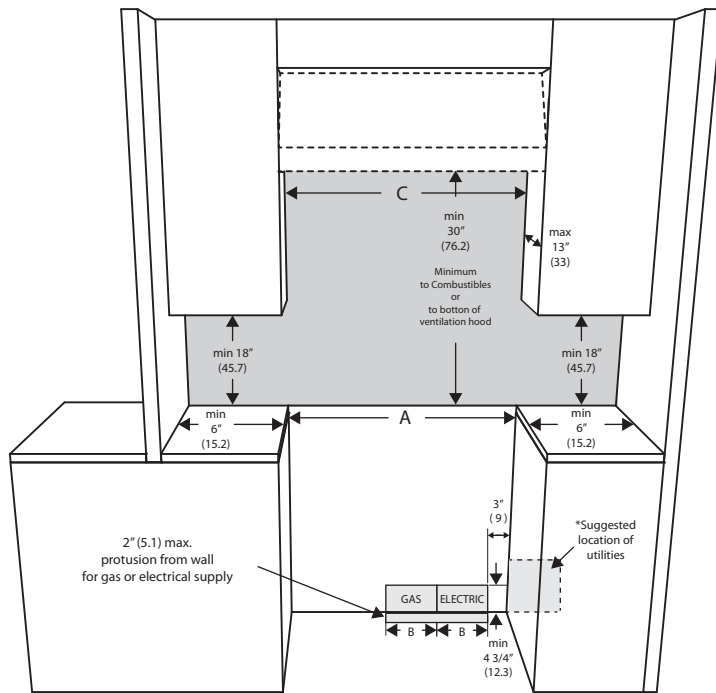


# FULGOR MILANO

## 30" - 36" Full Electric Ranges 600 SERIES

## Weight & Dimensions



| OPENING WIDTH | A & C      | B         |
|---------------|------------|-----------|
| Range 30"     | 30" (76.2) | 6" (15.2) |
| Range 36"     | 36" (91.4) | 7" (17.8) |

### SHADED AREA:

The surface of the entire back wall above the range and below the hood must be covered with a noncombustible material.

\*Consult local code for exact location requirements.

Clearances to non-combustible materials must conform with local codes or, in the absence of local codes, with the National Fuel Gas Code, ANSI Z223.1/NFPA 54.

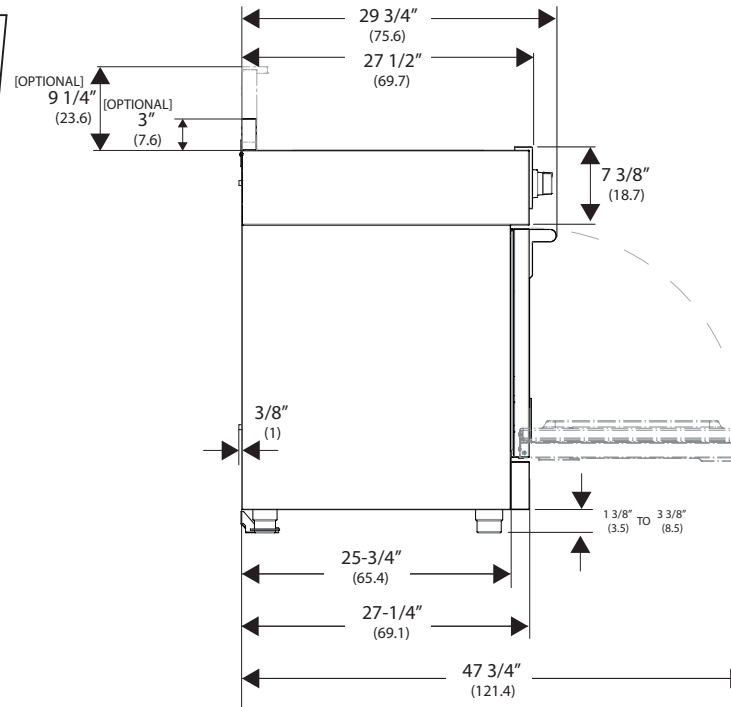
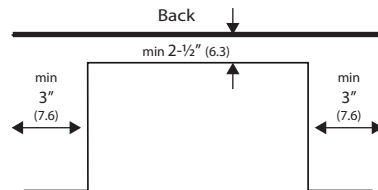
### Minimum clearances:

Above cooking surface (above 36" [91.4 cm])

- Sides - 3" (7.6 cm)
- Within 3" (7.6 cm) side clearance, wall cabinets no deeper than 13" (33.0 cm) must be minimum 18" (45.7 cm) above cooking surface
- Wall cabinets directly above product must be a minimum of 30" (76.2 cm) above cooking surface.
- Rear - 0" with 3" (7.6 cm) backguard.

### ADDITIONAL CLEARANCES:

For island installation, maintain 2-1/2 in. minimum from cutout to back edge of countertop and 3 in. minimum from cutout to side edges of countertop (see top view).



| PACKAGING 30" |   | lb / inch | Kg / mm |
|---------------|---|-----------|---------|
| GROSS WEIGHT  |   | 311 lb    | 141 Kg  |
| DIMENSION     | W | 33"       | 840     |
|               | D | 45"3/4    | 1162    |
|               | H | 32"1/4    | 820     |

| PACKAGING 36" |   | lb / inch | Kg / mm |
|---------------|---|-----------|---------|
| GROSS WEIGHT  |   | 382 lb    | 174 Kg  |
| DIMENSION     | W | 39"       | 990     |
|               | D | 45"3/4    | 1162    |
|               | H | 32"1/4    | 820     |

