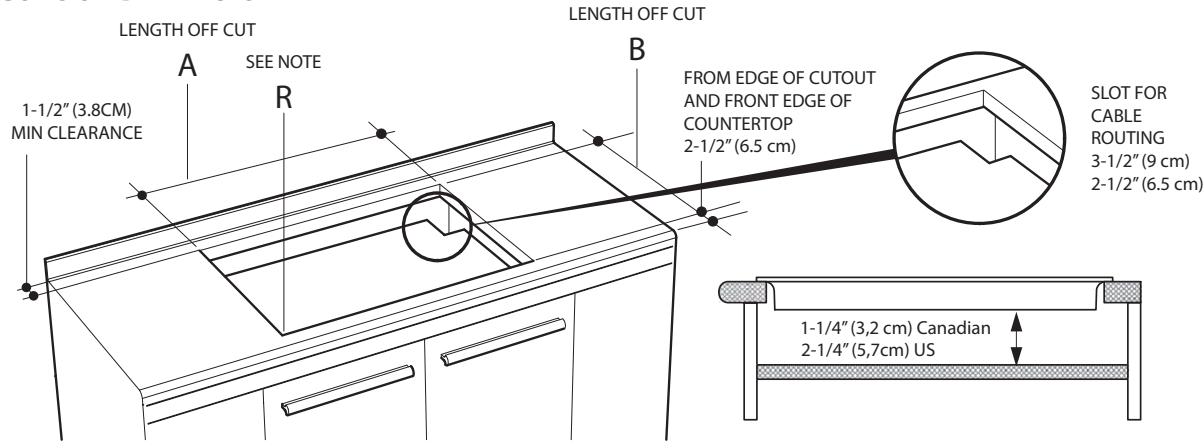


FULGOR MILANO

24" Electric Cooktop 300 SERIES

Weight & Dimensions

CUTOUT DIMENSION

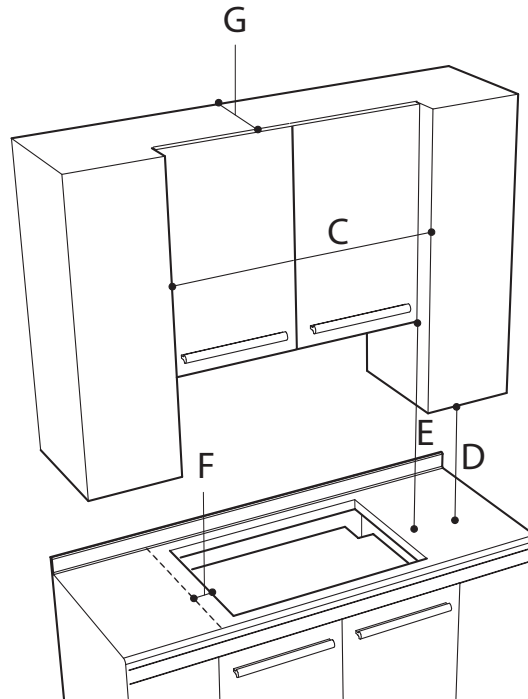


CUTOUT REQUIREMENTS

NOTE
R
Radius corners of cutout and file to insure smooth edges and prevent corner cracking. Recommend 1/4" or 3/8" diameter drill in each.

IMPORTANT
Under the cooktop it is necessary to install a partition, spaced from the bottom of the appliance as shown in figure above.

*** NOTE**
24" (61 cm) min. clearance if bottom of wood or metal cabinets is protected by not less than 1/4" (0.6 cm) flame retardant millboard covered with no less than No. 28 MSG sheet steel 0.015" (0.04 cm) stainless steel, or 0.024" (0.06 cm) aluminum or 0.020" (0.05 cm) copper. 30" (76.2 cm) min. clearance between top of cooking platform and bottom of unprotected wood or metal cabinet.



WALL COVERING CABINETS, AND COUNTERTOP MUST WITHSTAND HEAT UP TO 93° C (200° F)

Ltr.	CUTOUT DIMENSION	inch	cm
A	Cutout Width	Min 22-5/8" Max 22-13/16"	Min 57,4 Max 58.0
B	Cutout Depth	Min 19-1/4" Max 19-9/16"	Min 49.0 Max 49.7
C	Opening between cabinets	Min 24" min	Min 60
D	Height from countertop to nearest cabinet on either side of unit	Min 18"	Min 45.7
E	Clearance from countertop to unprotected overhead surface	Min 30"	Min 76.2
F	Clearance from cutout to side wall on the left and right of the unit	Min 2"	Min 5
G	Depth of unprotected overhead cabinets	Min 13"	Min 33

PACKAGING		lb / inch	Kg / mm
GROSS WEIGHT		30 lb	13.5 Kg
DIMENSION	W	27" 1/2	694
	D	23 3/4	598
	H	7 1/2	187

