

# COOKTOP 400 SERIES 44"



CODE ID

44" GAS COOKTOP

**F4GK42S1**



Heavy Duty Grates



Continuous Grate Surface



Dual Burner



Stainless Steel

## GAS COOKTOP

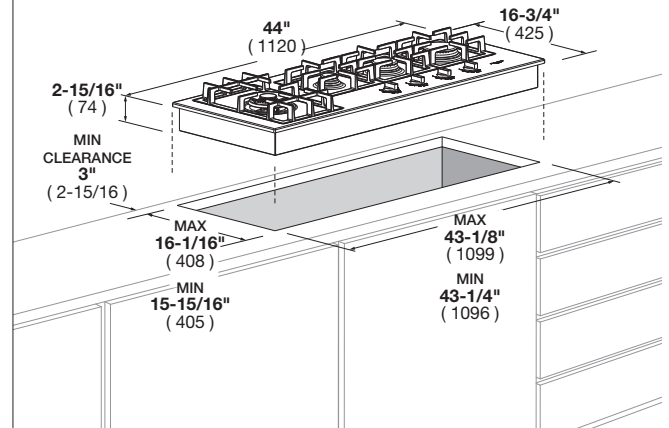
4 gas burners with 1 Dual Flame burner  
Electronic Ignition and Re-ignition  
Flame-out Sensing  
Heavy duty cast iron grates

## OPTIONAL ACCESSORIES

FMWOK	Wok ring
FMSIM	Simmer plate
FMSPR	Small Pot Adapter

# DISTINTO

44" GAS COOKTOP



CODE ID	F4GK42S1 - 44" GAS COOKTOP	
Series and Finish	400 Series - Stainless Steel	
<b>CONTROL PANEL</b>		
Control Type	Knobs	
<b>COOKTOP</b>		
Type	GAS (NG or LP)	
Cooking Surface	Matte Black Enamel	
<b>GAS COOKTOP FEATURES</b>		
Electric Re-ignition system	•	
Flame-out sensing	•	
Dual Flame Burner	•	
Simmer Plate	Optional	
Small Pot Insert (for single burners only)	Optional	
Wok Ring (for dual burner only)	Optional	
Heavy Duty Cast Iron Grates	4	
Cooking Zones	4	
Burners types	Sealed Burners (all) - Dual Flame/Simmer Burner (only Left)	
Power (Max/Min) (Left)	18000 (BTU/h) - 5275W / 700 (BTU/h) - 205W	
Power (Max/Min) (Front-L)	-	
Power (Max/Min) (Rear-L)	-	
Power (Max/Min) (L Center)	4000 (BTU/h) - 1175W / 1000 (BTU/h) - 295W	
Power (Max/Min) (Front Center)	-	
Power (Max/Min) (R Center)	9000 (BTU/h) - 2640W / 1300 (BTU/h) - 380W	
Power (Max/Min) (Front-R)	-	
Power (Max/Min) (Rear-R)	-	
Power (Max/Min) (Right)	15000 (BTU/h) - 4400W / 2700 (BTU/h) - 790W	
<b>DIMENSIONS/WEIGHT</b>		
Overall dim - Width	44"	(1120 mm)
Overall dim - Height	5 - 3/16"	(132 mm)
Overall dim - Depth	16 - 3/4"	(425 mm)
Cut-out - Width (min - max)	43 - 1/8", 43 - 1/4"	(1096 mm) - (1099 mm)
Cut-out - Height (min)	2 - 15/16"	(74 mm)
Cut-out - Depth (min - max)	15 - 15/16", 16 - 1/16"	(405 mm) - (408 mm)
Gross Weight	45 lbs	(20 kg)
<b>POWER / RATINGS (120 V, 60 HZ)</b>		
Amps	0.1A	
Max Power	46000 (BTU/h) - 13475W	
Power Cable	Nema 5 - 15P	
<b>INSTRUCTIONS FOR USE</b>		
Use & Care Manual / Installation Manual	English / French / Spanish	