

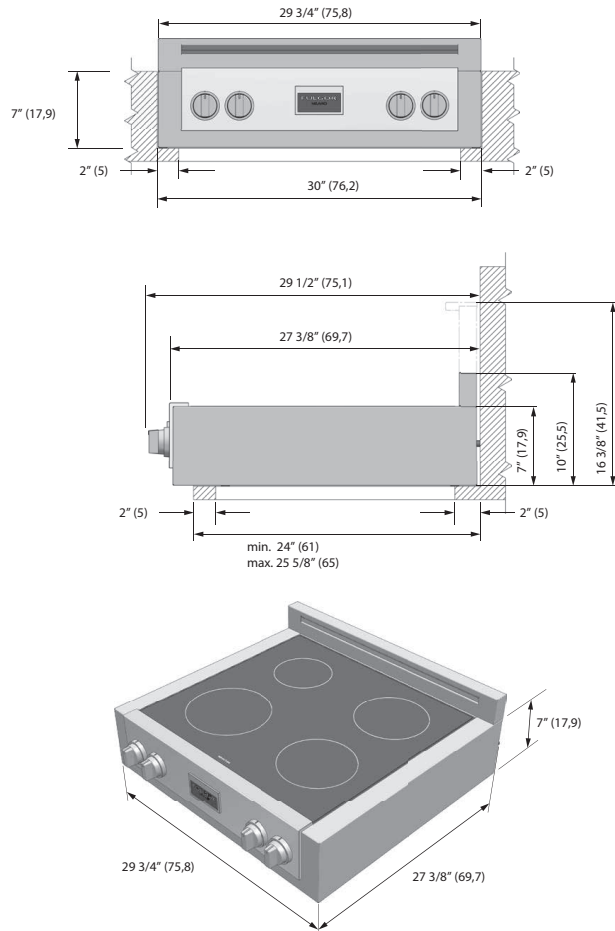
FULGOR MILANO

30" Induction Ranges Top 600 SERIES

Weight & Dimensions

PRODUCT DIMENSIONS

30" Wide Rangetop Models



CUTOUT REQUIREMENTS

The surface of the entire back wall above the range and below the hood must be covered with a noncombustible material.

*Consult local code for exact location requirements.

Note: Clearances to non-combustible materials must conform with local codes or, in the absence of local codes, with the National Fuel Gas Code, ANSI Z223.1/NFPA 54.

ADDITIONAL CLEARANCES:

For island installation, maintain 2-1/2 in. minimum from cutout to back edge of countertop and 3 in. minimum from cutout to side edges of countertop (see top view).

Minimum clearances:

Above cooking surface (above 36" [91.4 cm])

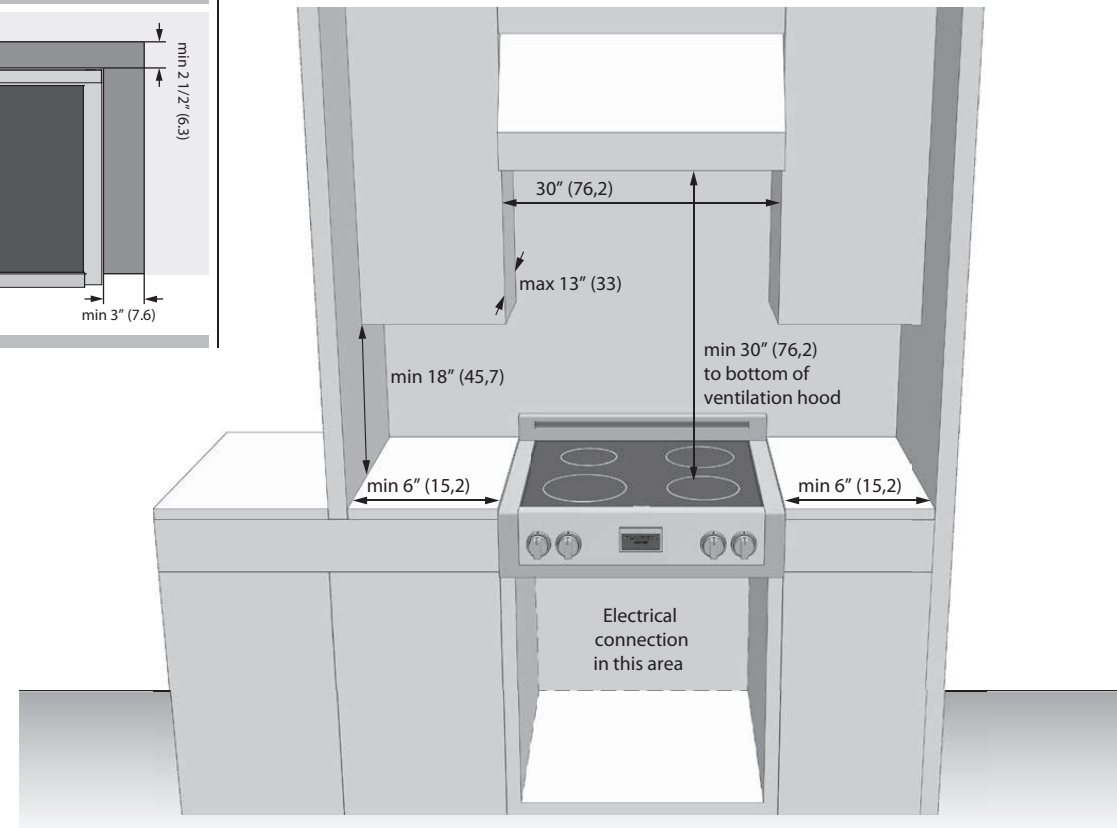
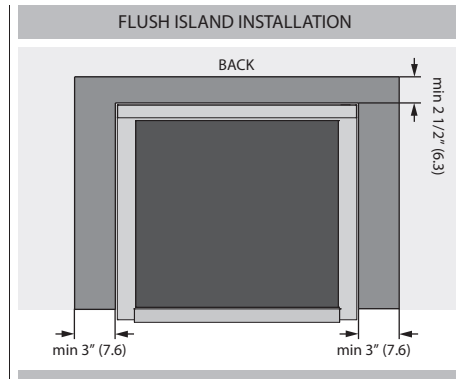
- Sides 3" (7.6 cm)

Within 3" (7.6 cm) side clearance, wall cabinets no deeper than 13" (33.0 cm) must be minimum 18" (45.7 cm) above cooking surface.

- Wall cabinets directly above product must be a minimum of 30" (76.2 cm) above cooking surface.

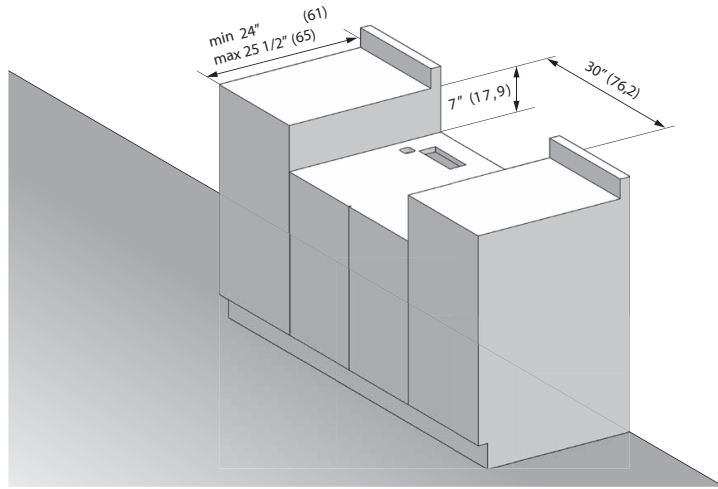
Rear - 0" with 3" (7.6 cm) backguard.

FLUSH ISLAND INSTALLATION



PACKAGING 30"		lb / inch	Kg / mm
GROSS WEIGHT		71 lb	32 Kg
DIMENSION	W	38"3/4	984
	D	32"1/8	817
	H	13"3/8	340

INSTALLATION WITH SEPARATOR SHEET



INSTALLATION WITHOUT SEPARATOR SHEET

