

INDUCTION COOKTOPS 700 SERIES 30"







CODE ID

30" INDUCTION COOKTOP WITH BRUSHED ALUMINUM TRIM

F7IT30S1



-  Easy Clean Ceramic Glass
-  Slide Touch Control
-  Pan Detection system
-  Residual Heat Sensor
-  Frame Creative
-  Digital Minute Minder

INDUCTION COOKTOP

4 Induction cooking zones
11" cooking zone
Elegant Ceramic glass surface
Premium induction technology
for unsurpassed performance
Melt and Simmering Functions
Residual heat and Power on Indicators
Digital Minute Minder

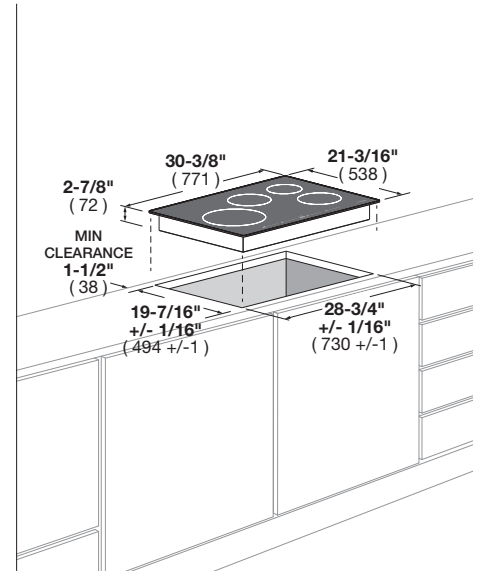
Pot Detection System
Child Lock Function
Independent timer for each zone.
Pause Function
Booster function for each cooking zone
Failure Codes Indication
Digital Display for Power Level
Automatic Heat-up Time

OPTIONAL ACCESSORIES

INDUKIT4 Pot Induction Adapter

DISTINTO

30" INDUCTION COOKTOP WITH
BRUSHED ALUMINUM TRIM



CODE ID	F7IT30S1 - 30" INDUCTION COOKTOP WITH BRUSHED ALUMINUM TRIM			
Series and Finish	700 Series - Ceramic glass with aluminum frame			
CONTROL PANEL				
Control Type	Touch Control			
COOKTOP				
Type	INDUCTION			
Cooking Surface	Ceramic Glass			
Slider Touch Control for Power Setting	•			
Digital Display for Power Level	•			
INDUCTION COOKTOP FEATURES				
Pot Detection System	•			
Bridge double zone	•			
Power Levels	1 to 9			
Warming Function 158°F / 70°C	•			
Booster/Fast Boil Function for Each Zone	•			
Auto-boil and Reduce for Each Zone	•			
Residual Heat Indication	•			
Individual Timer for each Zone	•			
Child Lock	•			
Key Lock (LED)	•			
Pause/recall (LED)	•			
General ON/OFF Key (LED)	•			
Cooking Zones	5			
Burners types (Front-L) - Power (Max/Booster)	Inductor	11"	(280 mm)	2300W / 3600W
Burners types (Rear Central) - Power (Max/Booster)	Inductor	7"	(180 mm)	1850W / 3000W
Burners types (Front Central) - Power (Max/Booster)	Inductor	5 - 3/4"	(145 mm)	1400W / 2200W
Burners types (Rear/Front-R) - Power (Max/Booster)	Inductor	7"	(180 mm)	1850W / 3000W
DIMENSIONS/WEIGHT				
Overall dim - Width	30 - 3/8"		(771 mm)	
Overall dim - Height	4"		(100 mm)	
Overall dim - Depth	21 - 3/16"		(538 mm)	
Cut-out - Width (Tolerance)	28 - 3/4" tol. 1/16"		(730 mm) - (tol. 1 mm)	
Cut-out - Height	2 - 5/8" + conduit 1 - 1/16"		(67 mm) + conduit (27 mm)	
Cut-out - Depth (Tolerance)	19 - 7/16" tol. 1/16"		(494 mm) - (tol. 1 mm)	
Gross Weight	40 lbs		(18 kg)	
POWER / RATINGS (208/240 V, 60 HZ)				
kW / Amps rating at 240V, 60Hz	7.20kW - 30A			
kW / Amps rating at 208V, 60Hz	6.45kW - 31A			
Power Cable	Conduit			
INSTRUCTIONS FOR USE				
Use & Care Manual / Installation Manual	English / French / Spanish			