

# SOFIA PROFESSIONAL 36"



CODE ID

36" PROFESSIONAL GAS RANGE TOP

**F6GRT366S1**



Heavy Duty Grates



Continuous Grate Surface



Dual Crescendo Burner

## GAS RANGE TOP

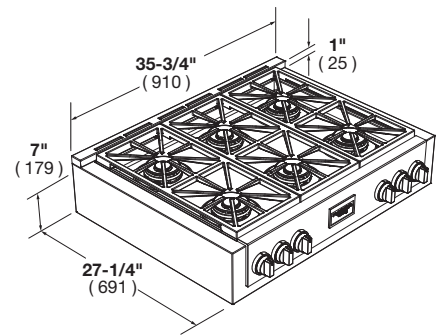
3 Heavy Duty, continuous cast iron grates  
One piece, matte finish porcelain burner bowl  
6 Dual-Flame Crescendo Burners  
2 X 20,000 BTU max (NG)  
4 X 18,000 BTU max (NG)  
Natural Gas (LP convertible)  
Electric Re-ignition system  
Flame-out Sensing  
Top Mount Injectors

## OPTIONAL ACCESSORIES

FMWOK	Wok ring
FMSIM	Simmer plate
F6BG36BCI	Island trim
F6BG36STD	Standard trim
F6BG36HBT	High back trim
FMGRID36	Griddle

# SOFIA

36" PROFESSIONAL GAS RANGE TOP



CODE ID	F6GRT366S1 - 36" PROFESSIONAL GAS RANGE TOP	
Series and Finish	600 Series - Professional Design - Stainless Steel	
<b>CONTROL PANEL</b>		
Control Type	6 Heavy Duty Knobs	
<b>COOKTOP</b>		
Type	GAS (NG or LP)	
Cooking Surface	Matte Black Enamel	
<b>GAS COOKTOP FEATURES</b>		
Electric Re-ignition system	•	
Flame-out sensing	•	
Top Mount Injectors	•	
Dual Crown Brass Burner	•	
Simmer Plate	Optional	
Wok Ring	Optional	
Heavy Duty Cast Iron Grates	3	
Cooking Zones	6	
Burners types	All Dual Flame/Simmer Burner	
Power Front-L,Front-R (Max/Min) NG	20000 (BTU/h) - 5900W / 750 (BTU/h) - 220W	
Power Front-R (Max/Min) NG	-	
Power (Max/Min) NG	18000 (BTU/h) - 5300W / 750 (BTU/h) - 220W	
Power (Max/Min) LP	15000 (BTU/h) - 4400W / 750 (BTU/h) - 220W	
<b>DIMENSIONS/WEIGHT</b>		
Overall dim - Width	35 - 3/4"	(910 mm)
Overall dim - Height	7"	(179 mm)
Overall dim - Depth	29 - 3/4"	(756 mm)
Cut-out - Width	36"	(914 mm)
Cut-out - Height (min)	7"	(179 mm)
Cut-out - Depth (min - max)	24", 25 - 1/2"	(610 mm) - (650 mm)
Gross Weight	121 lbs	(55 kg)
<b>POWER / RATINGS (120 V, 60 HZ)</b>		
Amps	0.1A	
Power Cable	Nema 5-15P	
<b>INSTRUCTIONS FOR USE</b>		
Use & Care Manual / Installation Manual	English / French / Spanish	