

# BUILT-IN WINE CELLAR 24"



CODE ID

**F71BW24O1-R**



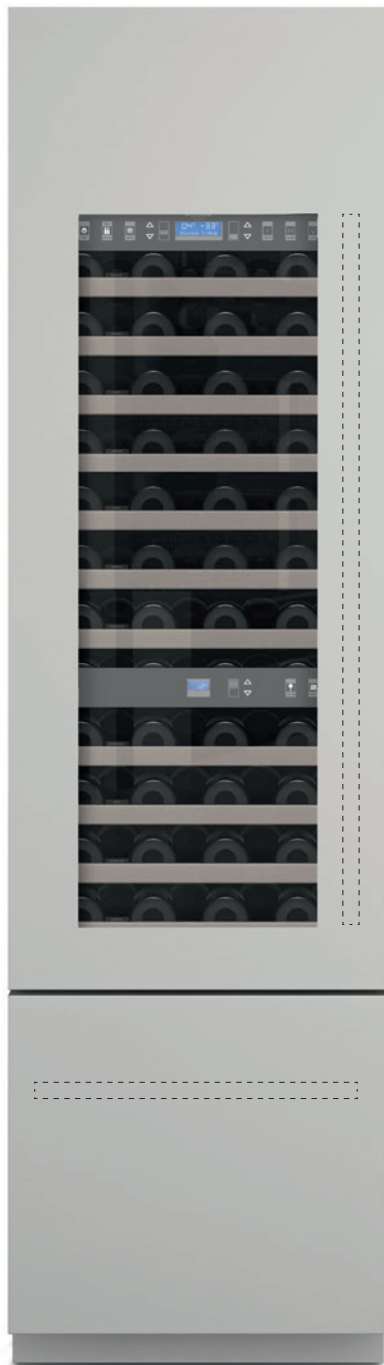
RIGHT DOOR

CODE ID

**F71BW24O1-L**



LEFT DOOR



Deep-freezing



Hot air ventilation



Rapid Deep Freezing



LED lighting



Noise Level 41 (dB)



Integrated Installation



Holiday Mode



Triple Panel Door



54 Bottles Capacity



## WINE CELLAR

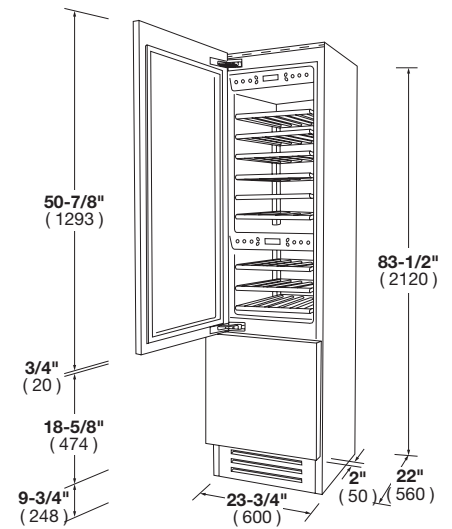
Cave Storage Compartment,  
Natural Wood Shelves, for 36 bottles  
Wine Cellar Compartment,  
Natural Wood Shelves, for 18 bottles  
TriplePlay Refrigeration  
Total No Frost  
LED Lighting  
Brilliant white aluminium interior  
FlexZone Bottom Drawer  
Overlay Panel

## OPTIONAL ACCESSORIES

REFHANDPRO24  
Sofia Wine Cellar Pro Handle Kit  
REFSBSINT60  
Installation kit

# SOFIA

24" PROFESSIONAL BUILT-IN WINE CELLAR



CODE ID	LEFT DOOR 24" PROFESSIONAL BUILT-IN WINE CELLAR	F7IBW2401-L	F7IBW2401-R	RIGHT DOOR
Series and Finish	Series 700 - Distinto - Overlay Panel			
<b>PERFORMANCES/CAPACITY</b>				
Noise Level db	41			
Riserva Compartment capacity (bottles)	36			
Wine Cellar Compartment capacity (bottles)	18			
Flexzone Bottom-Drawer capacity (cbft)	2			
<b>FEATURES</b>				
<b>Riserva storage compartment</b>				
Natural wood shelves	6			
<b>Wine Cellar Compartment</b>				
Natural wood shelves	3			
<b>Flexzone Bottom-Drawer</b>				
White Painted Drawers	1			
Internal Drawers	1			
LED lighting	•			
Glass door	•			
<b>Equipment</b>				
TriplePlay Refrigeration	•			
No Frost	•			
Flexzone	•			
TruPivot hinges	•			
<b>DIMENSIONS/WEIGHT</b>				
Width in	23 - 5/8"	(600 mm)		
Height in	83 - 1/2"	(2121 mm)		
Depth without handle in	25"	(635 mm)		
Minimum niche height in	84"	(2134 mm)		
Door clearance in	46"	(1168 mm)		
Door opening angle	105°			
Net Weight	386 lbs	(175 kg)		
<b>POWER / RATINGS (115 V, 60 HZ)</b>				
Watts / Amps	472W - 4.1A			
Power Cable	Nema 5-15P			
<b>INSTRUCTIONS FOR USE</b>				
Use & Care Manual / Installation Manual	English / French / Spanish			