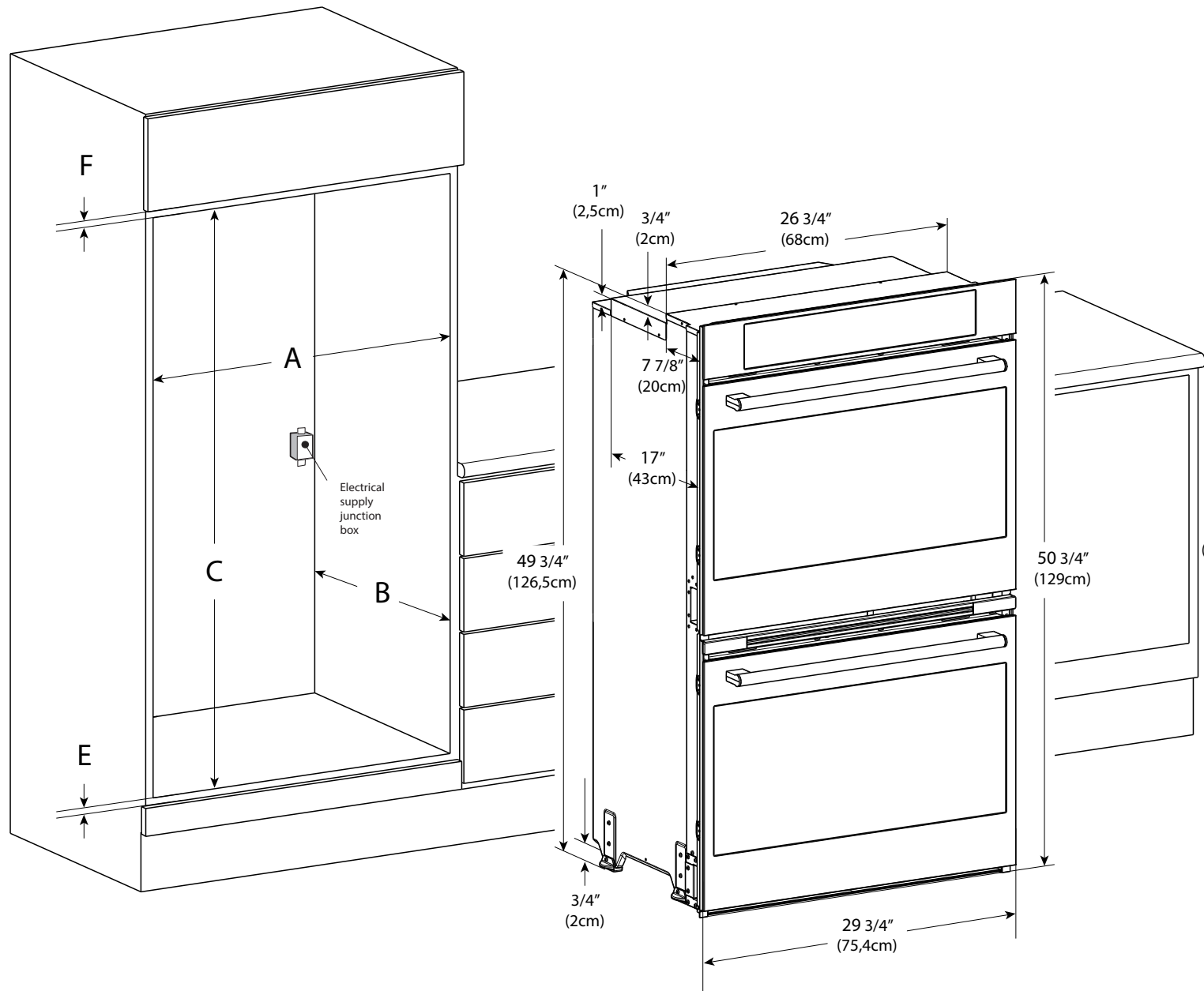


FULGOR

MILANO

30" Wall Double Oven 600/700 SERIES

Weight & Dimensions



| Ltr. | CUTOUT DIMENSION | inch | cm |
|------|------------------------|----------|--------|
| A | Cutout Width | 28 7/16" | 72,2cm |
| B | Cutout Depth | 24" | 61cm |
| C | Cutout Height | 50" | 127cm |
| D | Floor Bottom of Cutout | NA | NA |
| E | Minimum Spacing | 1/2" | 1,3cm |
| F | Minimum Spacing | 1" | 2,5cm |

| PACKAGING | | lb / inch | Kg / mm |
|--------------|---|-----------|---------|
| GROSS WEIGHT | | 326 lb | 148 Kg |
| DIMENSION | W | 33"1/2 | 850 |
| | D | 30"5/16 | 770 |
| | H | 54"1/2 | 1380 |

