

# SOFIA PROFESSIONAL 30"



CODE ID

30" PROFESSIONAL SINGLE OVEN - STAINLESS STEEL

**F6PSP30S1**



- Dual Convection
- Soft Closing Door
- Self Clean Oven
- Multi-level cooking
- 1 Telescopic Rack
- Cool Touch Door
- Digital Controls
- Meat Probe
- Fast Pre-Heat
- Interior Lighting

## COLOR KIT

	STAINLESS STEEL
	MATTE BLACK RAL 9004
	GLOSSY BLACK RAL 9004
	GLOSSY RED RAL 3003
	GLOSSY WHITE RAL 9016
	MATTE GREY RAL 9007
	MATTE WHITE RAL 9016

## OVEN

Knob and electronic controls  
Dual True Convection  
Self-cleaning oven with Multifunction baking  
Black Porcelain enamel interior  
Cool to the touch, soft closing door  
Extra-large baking cavity and viewing area  
3 Halogen lights for flawless visibility  
Gross capacity 4.4 cu. ft.  
2 chromed racks  
1 telescopic rack  
Enameled Broiler Pan

## OVEN FUNCTIONS

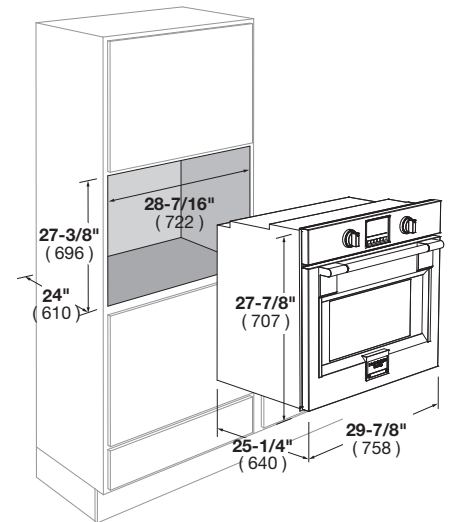
Bake  
Broil  
Roast  
Convection  
True Convection  
Warm / Proof / Dehydrate  
Electronic cooking programmer  
Meat Probe  
Self-Clean  
Sabbath Mode

## OPTIONAL ACCESSORIES

PDRKIT30 ... Colour kit  
FMTRP30 Telescopic rack

# SOFIA

30" PROFESSIONAL OVEN



CODE ID	F6PSP30S1 - 30" PROFESSIONAL SINGLE OVEN	
Series and Finish	600 Series - Professional Design - Stainless Steel	
<b>CONTROL PANEL</b>		
Control Type	2 Heavy Duty Knobs	
Oven Programming	Electronic with 6 Touch Keys	
Display: Clock - Temperature - Timer	White LED	
Language	English	
<b>OVEN</b>		
Type	Dual True Convection	
Temperature Regulation	Electronic Control (min/max 170/550°F - 75/290°C)	
<b>OVEN FUNCTIONS</b>		
	Pyrolytic Self-Clean	Broil
	True Convection	Dehydrate
	Convection Bake	Thaw (Defrost)
	Convection Broil	Proof (Warm)
	Convection Roast	Keep warm (Warm Plus)
	Pizza (Lower Convection)	Oven Lights
	Bake	
<b>ELECTRIC OVEN FEATURES</b>		
	Preset/Last Used Temperature Memory	Preheat Indicator (25%, 50%, 75%, 100%)
	Control Display Lock	Sabbath Mode
	Child Door Lock	Temperature Display °C/°F
	Meat Probe	
<b>OVEN DOOR(S)</b>		
Oven Glass Window	Large See Through Glass	
Door Cooling System	4 Heat Resistant Glasses	
Door Hinges - Soft-closing System	Heavy Duty Steady Tilt	
Handle Style	Tubular Steel	
<b>OVEN CAVITY</b>		
Gross Capacity (cbft)	4.4	
Usable Capacity (cbft)	4.1	
Cavity Enamel Colour	Black	
Rack Positions	6	
Oven Lights	3x20W Halogen	
<b>HEATING ELEMENTS (@240V)</b>		
Broil Upper Heating Element	3500 W	
Upper Auxiliary Element	1032 W	
Concealed Bake Lower Heating Element	3000 W	
Convection Element	2 x 1300 W	
<b>OVEN ACCESSORIES</b>		
Chromed Racks	2	
Enameled Broiler Pan (basin + anti splash)	1	
Telescopic Chromed Rack	1	
<b>DIMENSIONS/WEIGHT</b>		
Overall dim - Width	29 - 11/16"	(754 mm)
Overall dim - Height	27 - 7/8"	(707 mm)
Overall dim - Depth	24"	(610 mm)
Cut-out - Width	28 - 7/16"	(722 mm)
Cut-out - Height (min)	27 - 3/8"	(696 mm)
Cut-out - Depth (min)	23 - 1/4"	(590 mm)
Gross Weight	198 lbs	(90 kg)
<b>POWER / RATINGS (208/240 V, 60 HZ)</b>		
kW / Amps rating at 240V, 60Hz	3.84 kW - 16.9A	
kW / Amps rating at 208V, 60Hz	3.54 kW - 17.5A	
Power Cable	Conduit	
<b>INSTRUCTIONS FOR USE</b>		
Use & Care Manual / Installation Manual	English / French / Spanish	