

30"  
PROFESSIONAL MULTIFUNCTION OVEN

## FSO 300 P TC 2F X



**30" PROFESSIONAL OVEN**  
**MULTI-FUNCTION ELECTRONIC SELF-CLEANING**  
Finish: Professional stainless steel

### PERFORMANCE

11 cooking functions  
BOOST to rapidly reach the pre-selected temperature  
Self-cleaning with PYROLYSIS (2 cycles)

### FEATURES

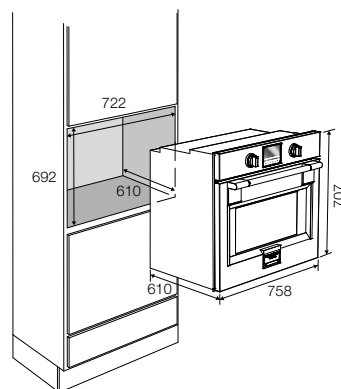
6 Digit touch control: digital timer + stainless steel knobs  
Interior in black porcelain enamel  
Internal lighting  
Internal capacity 123 litres

### SAFETY

Dual True convection  
PYROLYSIS Self-cleaning  
Cool touch (< 50°C) with soft closing door  
2 speed tangential cooling ventilation  
Keypad and door safety lock function  
Smoke catalyst

### STANDARD ACCESSORIES

Probe for checking meat temperature  
1 Fully retractable telescopic rack  
2 chromed racks  
1 enamel tray with anti-splash insert



Touch proof stainless steel  
**FSO 300 P TC 2F X**  
Code EAN 8019801017287