

ACCENTO PROFESSIONAL 36"

36" DUAL FUEL PROFESSIONAL RANGE



CODE ID



F4PDF366S1



Heavy Duty Grates



Continuous Grate Surface



Dual Crescendo Burner



Dual Convection



Self Clean Oven



Multi-level cooking



Cool Touch Door



Digital Controls



Fast Pre-Heat

COLOR KIT

| | |
|--|----------------------|
| | STAINLESS STEEL |
| | MATTE BLACK RAL 9004 |
| | MATTE WHITE RAL 9016 |
| | GLOSSY RED RAL 3003 |

OPTIONAL ACCESSORIES

| | |
|--------------|-----------------|
| ACDKIT36 ... | Colour kit |
| FMWOK | Wok ring |
| FMSIM | Simmer plate |
| F6BG36BCI | Island trim |
| F6BG36STD | Standard trim |
| F6BG36HBT | High back trim |
| FMGRID36 | Griddle |
| FMTRP36 | Telescopic rack |

COOKING SURFACE

3 Heavy Duty, continuous cast iron grates
One piece, matte finish porcelain burner bowl
3 Dual-Flame Crescendo Burners
3 X 18,000 BTU max (NG)
3 Rapid Burners
3 X 15,000 BTU max(NG)
Natural Gas (LP convertible)

OVEN

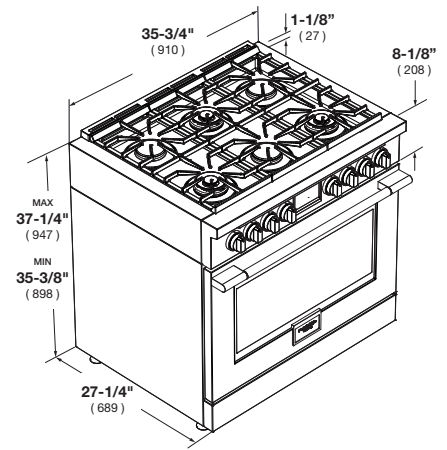
Dual True Convection
Self-cleaning oven with Multifunction baking
Black Porcelain enamel interior
Cool to the touch door
Extra-large baking cavity and viewing area
3 Halogen lights for flawless visibility
Gross capacity 5.7 cu. ft.
2 chromed racks
Enameled Broiler Pan

OVEN FUNCTIONS

Bake
Broil
Roast
Convection
True Convection
Warm / Proof / Dehydrate
Electronic cooking programmer
Fast Pre-Heat
Self-Clean
Sabbath Mode

ACCENTO

36" DUAL FUEL PROFESSIONAL RANGE



| CODE ID | | F4PDF366S1 - 36" DUAL FUEL PROFESSIONAL RANGE | |
|--|--------------|--|--------------------------|
| Series and Finish | | 400 Series - Professional Design - Stainless Steel | |
| CONTROL PANEL | | | |
| Control Type | | Electronic | |
| Display: Clock - Temperature - Function | | White LED | |
| COOKTOP | | | |
| Cooking Surface | | Black Enameled | |
| Type | | GAS (NG or LP) | |
| GAS COOKTOP FEATURES | | | |
| Electric Flame Ignition and Re-ignition | | L.P. Conversion Kit | Top Mount Injectors |
| Flame-out sensing | | Dual Crown Burner | Pressure Regulator |
| Cooking Zones | | 6 | |
| Burners types | | Dual Flame/Rapid Burners | |
| Power Front L+R (Max/Min) | G20-5" (NG) | 18000 (BTU/h) - 5300W / 950 (BTU/h) - 275W | |
| Power Rear L+R (Max/Min) | G20-5" (NG) | 15000 (BTU/h) - 4400W / 2200 (BTU/h) - 645W | |
| Power Front Middle (Max/Min) | G20-5" (NG) | 15000 (BTU/h) - 4400W / 2200 (BTU/h) - 645W | |
| Power Rear Middle (Max/Min) | G20-5" (NG) | 18000 (BTU/h) - 5300W / 950(BTU/h) - 275W | |
| Power Front L+R (Max/Min) | G31-10" (LP) | 15000 (BTU/h) - 4400W / 950 (BTU/h) - 275W | |
| Power Rear L+R (Max/Min) | G31-10" (LP) | 12000 (BTU/h) - 3500W / 2200 (BTU/h) - 645W | |
| Power Front Middle (Max/Min) | G31-10" (LP) | 12000 (BTU/h) - 3800W / 2200(BTU/h) - 645W | |
| Power Rear Middle (Max/Min) | G31-10" (LP) | 15000 (BTU/h) - 4400W / 950(BTU/h) - 275W | |
| OVEN | | | |
| Oven Type | | Electric Pyro | |
| Temperature Regulation | | Multifunction 2 Fans (True Euro Conv.) | |
| Temperature Regulation | | Electronic | |
| OVEN FUNCTIONS | | | |
| Pyrolytic Self-Clean with automatic door latch | | Pizza (Lower Convection) | Proof (Warm) |
| True European Convection Bake (Multi level) | | Bake | Broil |
| Dehydrate | | Thaw (Defrost) | Convection Broil |
| Convection Roast | | Oven Lights | Keep warm (Warm Plus) |
| Fast Preheat | | | |
| ELECTRIC OVEN FEATURES | | | |
| Preset/Last Used Temperature Memory | | Preheat bar (25%, 50%, 75%, 100%) | Automatic Fast Preheat |
| Child Door Lock | | Sabbath Mode | Hour Clock Formats AM/PM |
| °F Degree unit | | | |
| OVEN DOOR(S) | | | |
| Oven Glass Window | | Deep Embossed Window | |
| Door Cooling System | | 4 Pane Heat Resistant Glasses | |
| Door Hinges | | Heavy Duty Steady Tilt | |
| Handle Style | | Stainless Steel Tube d30mm with Metal terminals | |
| OVEN CAVITY | | | |
| Net Capacity (cbft) | | 5.7 | |
| Cavity Enamel Colour | | Black | |
| Rack Positions | | 6 | |
| Oven Lights | | 3x20W Halogen | |
| HEATING ELEMENTS (@240V) | | | |
| Broil Upper Heating Element | | 3500 W | |
| Upper Auxiliary Element Wattage | | 1032 W | |
| Concealed Bake Lower Heating Element | | 3000 W | |
| Convection Element | | 2 x 1300 W | |
| OVEN ACCESSORIES | | | |
| Chromed Racks | | 2 | |
| Enameled Grill set (basin + anti splash) | | 1 | |
| Telescopic Chromed Rack | | Only as optional ACCESSORY | |
| Meat Probe | | Only as optional ACCESSORY | |
| DIMENSIONS/WEIGHT | | | |
| Overall dim - Width | | 35 - 3/4" | (910 mm) |
| Overall dim - Height (min - max) | | 39" | (993 mm) |
| Overall dim - Depth | | 29 - 3/4" | (756 mm) |
| POWER / RATINGS (208/240 V, 60 HZ) | | | |
| kW / Amps rating at 120-240V, 60Hz | | 3.84 kW - 16.9 A | |
| kW / Amps rating at 120-208V, 60Hz | | 3.54 kW - 17.5 A | |
| Power Cable | | Nema 14-50P | |
| INSTRUCTIONS FOR USE | | | |
| Use & Care Manual / Installation Manual | | English / French / Spanish | |