

SOFIA PROFESSIONAL 30"

30" INDUCTION PROFESSIONAL RANGE



CODE ID



F6PIR304S1



Easy Clean Ceramic Glass

Power Boost Burner

Pan Detection system

Residual Heat Sensor

Soft Closing Door

Self Clean Oven

Multi-level cooking

1 Telescopic Rack

Cool Touch Door

Digital Controls

Meat Probe

Fast Pre-Heat

COLOR KIT

	STAINLESS STEEL
	MATTE BLACK RAL 9004
	GLOSSY BLACK RAL 9004
	GLOSSY RED RAL 3003
	GLOSSY WHITE RAL 9016
	MATTE WHITE RAL 9016
	MATTE GREY RAL 9007

OPTIONAL ACCESSORIES

PDRKIT30 ...	Colour kit
F6BG30BCI	Island trim
F6BG30STD	Standard trim
F6BG30HBT	High back trim
INDUKIT4	Induction plate adapters
FMTRP30	Telescopic rack

COOKING SURFACE

4 Single Induction cooking zones
Elegant Ceramic glass surface
Premium induction technology for unsurpassed performance
Booster function for each cooking zone
Residual heat and Power-on Indicators
Melting and Simmering function
Pot Detection System
Child Lock Function
Failure Codes Indication
Automatic Heat-up Time

OVEN

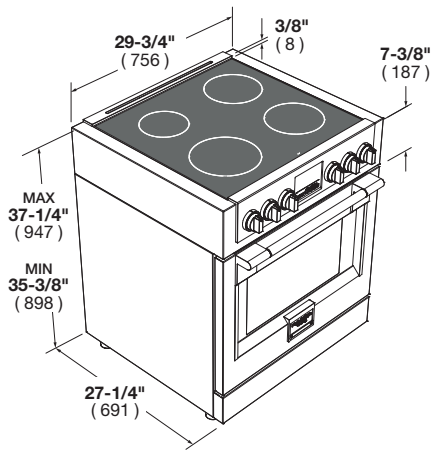
Dual True Convection
Self-cleaning oven with Multifunction baking
Black Porcelain enamel interior
Cool to the touch, soft closing door
Extra-large baking cavity and viewing area
3 Halogen lights for flawless visibility
Gross capacity 4.4 cu. ft.
2 chromed racks
1 telescopic rack
Enameled Broiler Pan

OVEN FUNCTIONS

Bake
Broil
Roast
Convection
True Convection
Warm / Proof / Dehydrate
Electronic cooking programmer
Meat Probe
Self-Clean
Sabbath Mode

SOFIA

30" INDUCTION PROFESSIONAL RANGE



CODE ID	F6PIR304S1 - 30" INDUCTION PROFESSIONAL RANGE			
Series and Finish	600 series - Professional Design - Stainless Steel			
CONTROL PANEL				
Control Type	6 Heavy Duty Knobs			
Oven Programming	Electronic with 6 Touch Keys			
Display: Clock - Temperature - Function	White LED			
Language	English / French / Spanish			
COOKTOP				
Type	INDUCTION			
Cooking Surface	Ceramic Glass			
INDUCTION COOKTOP FEATURES				
	Pot Detection System	Residual Heat Indication		
	Melting Function	Simmering Function		
	113°F / 45°C	158°F / 70°C		
	Digital Display for Power Level	Booster/Fast Boil Function for Each Zone		
	Failure Codes Indication	Power Levels: 1 to 9		
	Cooling Fan System	Heat up time automatic		
	Child Lock Function	Cooking Zones: 4		
	Knob for power setting			
Burners types (Front-L) - Power (Max/Booster)	Inductor	9"	(230 mm)	2300W / 3700W
Burners types (Rear-L) - Power (Max/Booster)	Inductor	6 - 1/2"	(165 mm)	1400W / 2200W
Burners types (Center dual circuit) - Power (Max/Booster)	-			
Burners types (Center single circuit) - Power (Max/Booster)	-			
Burners types (Front-R) - Power (Max/Booster)	Inductor	7 - 3/4"	(200 mm)	1850W / 3000W
Burners types (Rear-R) - Power (Max/Booster)	Inductor	7 - 3/4"	(200 mm)	1850W / 3000W
OVEN				
Type	Electric Self-clean - Dual Convection (True Euro Conv.)			
Temperature Regulation	Electronic Control (min/max 170/550°F - 75/290°C)			
OVEN FUNCTIONS				
	Pyrolytic Self-Clean	Convection Roast	Broil	Proof (Warm)
	True Convection	Pizza (Lower Convection)	Dehydrate	Keep warm (Warm Plus)
	Convection Broil	Bake	Thaw (Defrost)	Oven Lights
ELECTRIC OVEN FEATURES				
	Preset/Last Used Temperature Memory	Automatic Fast Preheat	Preheat Indicator (25%, 50%, 75%, 100%)	12/24 Hour Clock Formats
	Child Door Lock	Sabbath Mode	Control Display Lock	Temperature Display °C/°F
		Meat Probe		
OVEN DOOR(S)				
Oven Glass Window	Deep Embossed Extra Wide Window			
Door Cooling System	4 Heat Resistant Glasses			
Door Hinges - Soft-closing System	Heavy Duty Steady Tilt			
Handle Style	Stainless Steel Tube with Metal End caps			
OVEN CAVITY				
Gross Capacity (cbft)	4.4			
Usable Capacity (cbft)	4.1			
Cavity Enamel Colour	Black			
Rack Positions	6			
Oven Lights	3x20W Halogen			
HEATING ELEMENTS (@240V)				
Broil Upper Heating Element	3500 W			
Upper Auxiliary Element	1032 W			
Concealed Bake Lower Heating Element	3000 W			
Convection Element	2 x 1300 W			
OVEN ACCESSORIES				
	2 Chromed Racks		1 Telescopic Chromed Rack	
	1 Enameled Broiler Pan (basin + anti splash)			
DIMENSIONS/WEIGHT				
Overall dim - Width	29 - 3/4"		(758 mm)	
Overall dim - Height (min - max)	36 3/8", 38 1/4"		(923 mm) - (972 mm)	
Overall dim - Depth	29 - 3/4"		(756 mm)	
Gross Weight	311 lbs		(141 kg)	
POWER / RATINGS (208/240 V, 60 HZ)				
kW / Amps rating at 120-240V, 60Hz	11kW - 45.8A			
kW / Amps rating at 120-208V, 60Hz	10kW - 48.5A			
Power Cable	Nema 14-50P			
INSTRUCTIONS FOR USE				
Use & Care Manual / Installation Manual	English / French / Spanish			