

FULGOR

MILANO



PRO-RANGE 30" - 36" FULL GAS

INSTALLATION INSTRUCTIONS

INSTRUCTIONS D'INSTALLATION

INSTRUCCIONES PARA LA INSTALACIÓN



Dear Customer,

Thank you for purchasing one of our Accento ranges. This range was conceived, designed and handcrafted in Italy.

Your selection of a Accento range confirms you are among a special group who share a love and passion for cooking. This unique community shares in the experience of creating quality dishes; dishes that will satisfy the palate while bringing the warmth of families and friends together to share and rejoice. Impress a loved one with your ability to combine flavours and ingredients or experiment with new foods and different culinary techniques to create unexpected pleasures.

Gianni Alessandretti

TABLE OF CONTENTS	PAGE
1 - Special Warnings	2
Before Starting Installation	2
Mobile Home Installation	2
Recreational Park Trailers	2
2 - Product Dimensions and Cutout Requirements	3
Anti-Tip Bracket Installation	5
3 - Installation Information	6
4 - Installation Instructions	7
5 - Gas Requirement	11
Pressure Testing	12
Pressure Test Method	12
Gas Connection	13
6 Conversion for LP or NG Gas	14
Converting Appliance for Use with LP Gas	14
Replace Injectors (two ring flame burner)	14
Replace injector on (one ring flame or burners)	14
Replace injector on (oven lower burner)	15
Converting Appliances for Use with NG Gas	17
Pressure regulator conversion	17
INJECTORS POSITION	18
Low Flame Adjustment	20
Adjustment for Burners with one or two flame rings:	20
Electric Gas Ignition	21
The Burner Flames	21
7 - Electrical Requirements	22
General Information	22
Electrical Connection	22
Electrical Requirements	23

Pay attention to these symbols present in this manual:



DANGER

You can be killed or seriously injured if you don't IMMEDIATELY follow instructions.



WARNING

This is the safety alert symbol. This symbol alerts you to potential hazards that can kill or hurt you and others. You can be killed or seriously injured if you don't follow these instructions.

READ AND SAVE THESE INSTRUCTIONS.

To installer:

Leave these instructions with the appliance.

To customer:

Retain these instructions for future reference.



WARNING

If the information in this manual is not followed exactly, a fire or explosion may resulting in product and property damage and / or personal injury or death.
Do not store or use gasoline or other flammable vapours and liquids in the vicinity of this or any other appliance.

IMPORTANT: Save these instructions for the local electrical inspector use.

INSTALLER: Please leave this manual with owner for future reference.

OWNER: Please keep this manual for future reference.

GLOSSARY OF TERMS: NG - Natural Gas
LP - Liquid Propane



IMPORTANT INSTRUCTION

Please read all instructions before using this appliance.

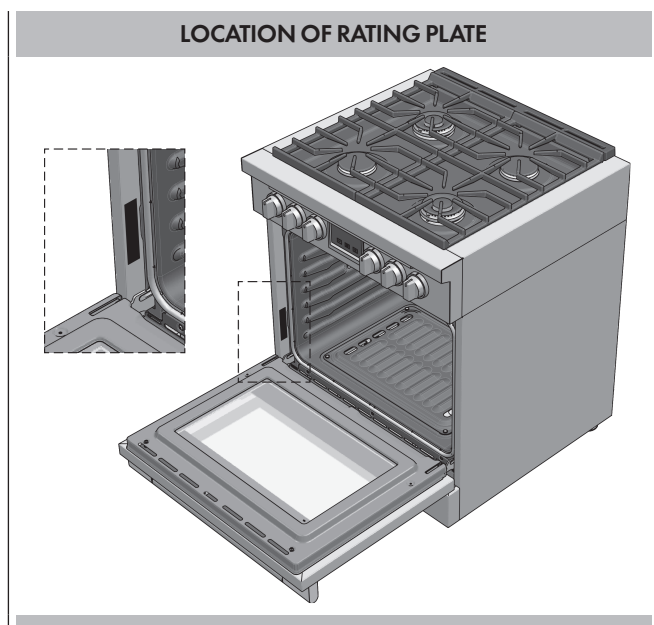


Proper installation is your responsibility. Have a qualified technician install this range.



IMPORTANT

- Observe all governing codes and ordinances.
- Write down the model and serial numbers before installing the range. Both numbers are on the serial rating plate refer to the illustration below.



Before Starting Installation

- Check location where range will be installed. The location should be away from strong drafty areas, such as windows, doors and strong heating vents or fans.
- Electrical grounding is required. See "Electrical Requirements"
- Assure that electrical installation is adequate and in conformance with National Electrical Code, ANSI/NFPA 70 - latest edition**, or Canadian Electrical Code, part 1 C22.1 (latest edition)*** and all local codes and ordinances.
- Assure that gas connection conforms with local codes and ordinances. In the absence of local codes, installations must conform with American National Standard, National Fuel Gas Code ANSI Z223/NFPA 54 - latest edition** Canadian CAN/CGA_B 149.1 or CAN/CGA-149.2 latest edition**

Copies of the standards listed may be obtained from:

- ** National Fire Protection Association One Batterymarch Park Quincy, Massachusetts 02269
- *** CSA International 8501 East Pleasant Valley Rd. Cleveland, OH 44131-5575

NOTE: This range is manufactured for use with Natural gas or Propane.

To convert to LP (propane) or NG (natural gas), see instructions in the gas conversion kit provided in the literature package. Proper gas supply connection must be available. See gas supply requirements.



WARNING

Before connecting the appliance to the gas supply line, ensure that its gas setting is appropriate.

The type of gas adjusted and shipped from the factory is indicated on the rating plate.

Mobile Home Installation

The installation of this appliances must conform to the Manufactured Home Construction and Safety Standards, Title 24 CFR, Part 3280 (formerly the Federal Standard for Mobile Home Construction and Safety; Title 24 HUD part 280); or when such standard is not applicable, the Standard for Manufactured Home Installations (Manufactured Home Sites, Communities and Setups), ANSI A225.1 - latest edition, or with local codes.

In Canada, the installation of this appliances must conform with the current standards CAN/CSA-Z240 - latest edition, or with local codes.

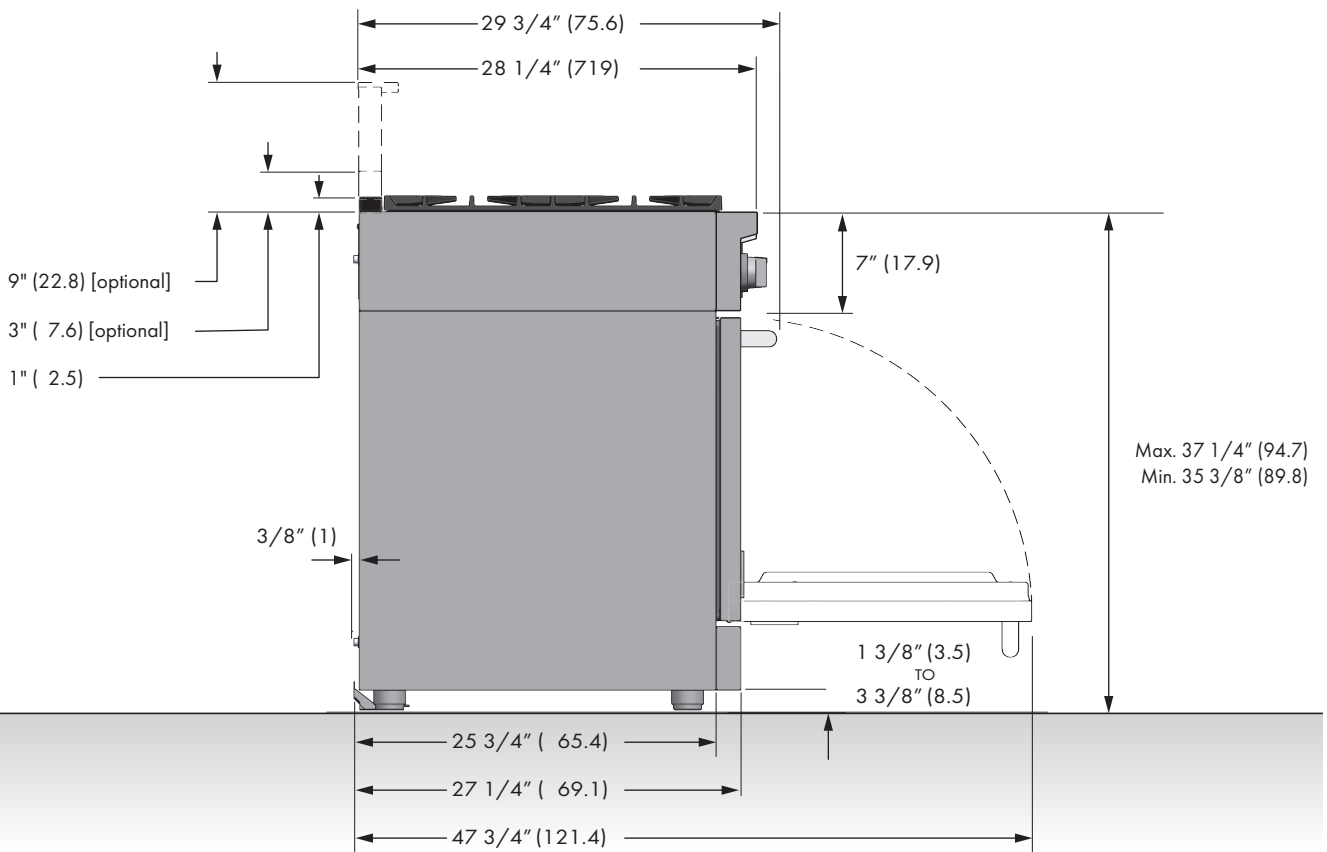
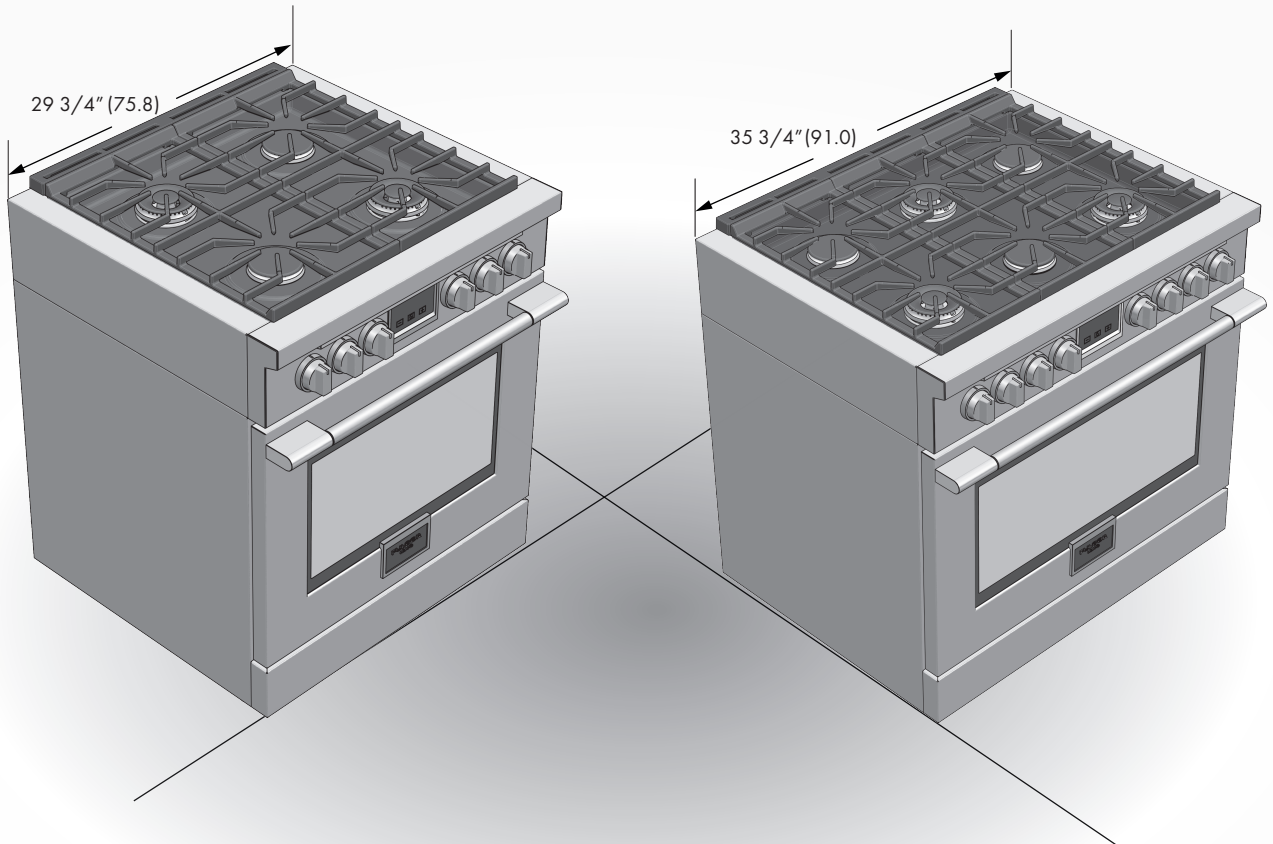
Recreational Park Trailers

The installation of this appliances designed for Recreational Park Trailers must conform with state or other codes or, in the absence of such codes, with the Standard for Recreational Park Trailers, ANSI A119.5.

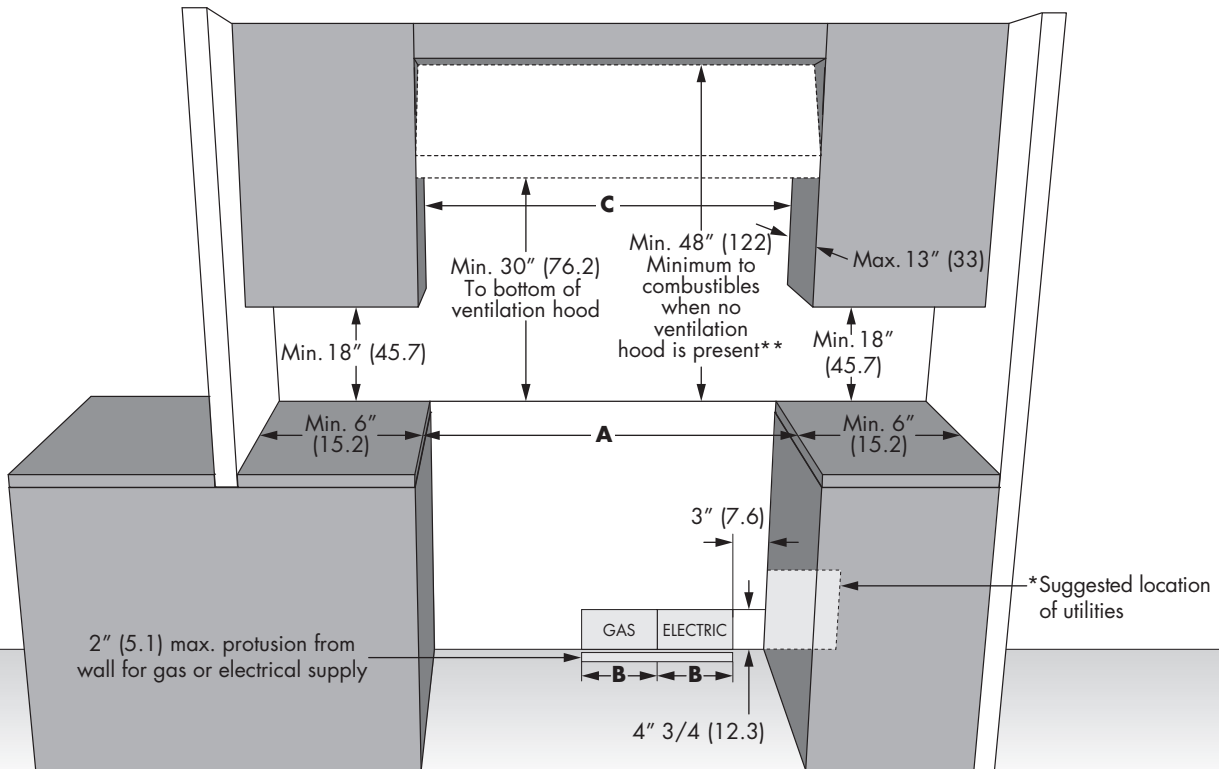
PRODUCT DIMENSIONS

30" Wide Range Models

36" Wide Range Models



CUTOUT REQUIREMENTS



** NOTE: Ensure your installation also complies with local and national building and fire codes.

If the surface of the entire back wall above the range and below the hood is not composed of a non-combustible material then the 9" accessory back guard must be used.

*Consult local code for exact location requirements.

OPENING WIDTH	A & C	B
Range 30"	30" (76.2)	6" (15.2)
Range 36"	36" (91.4)	7" (17.8)

Note: Clearances from non-combustible materials are not part of the ANSI Z21.1 scope and not certified. Clearances to non-combustible materials must conform with local codes or, in the absence of local codes, with the National Fuel Gas Code, ANSI Z223.1/NFPA 54.

Minimum clearances:

Above cooking surface (above 36" [91.4 cm])

- Sides - 6" (15.2 cm)
- Within 6" (15.2 cm) side clearance, wall cabinets no deeper than 13" (33.0 cm) must be minimum 18" (45.7 cm) above cooking surface
- Wall cabinets directly above product must be a minimum of 48" (122 cm) above cooking surface.
- Rear - 0" with 9" backguard; 0" with non-combustible rear wall.

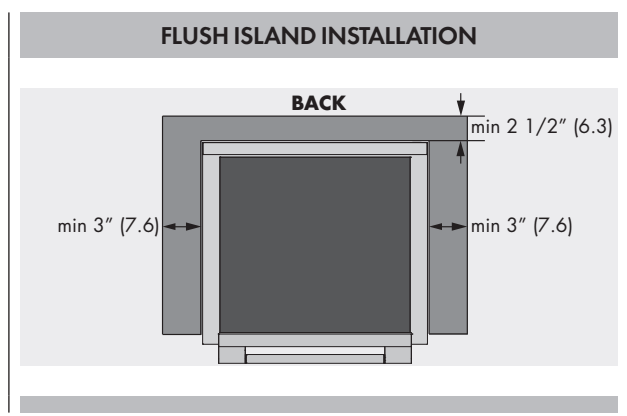
Below cooking surface (36" [91.4 cm] and below)

- Install with zero clearance between adjacent combustible

construction below the cooking surface and the back and sides of the appliance.

ADDITIONAL CLEARANCES:

For island installation, maintain 2-1/2 in. minimum from cutout to back edge of countertop and 3 in. minimum from cutout to side edges of countertop (see top view). For installation in a stepped island, 12" (30.5 cm) minimum clearance is required from the back or sides of the rangetop to a combustible riser. The island installation is not part of the ANSI Z21.1 scope and not certified.



Before moving the range, protect any finished flooring and secure oven door(s) closed to prevent damage.

Vent hood Combinations:

It is recommended that these ranges be installed in conjunction with a suitable overhead vent hood.

Due to the high heat capacity of this unit, particular attention should be paid to the hood and ductwork installation to assure it meets local building codes.

A hood with suitable capture area and capable of at least 450 cfm is suggested to effectively evacuate odors, steam and heat. Choosing to install a hood of lower cfm or configured for recirculating may compromise the effectiveness of eliminating the aforementioned factors.

Note: some State / Provincial building codes will require make up air systems be installed for hoods above a certain cfm threshold (300 cfm is typical).

It is your responsibility to understand and comply with the local requirements for gas, electrical and ventilation where these appliances are being installed.

WARNING

Air curtain or other overhead hoods, which operate by blowing a downward air flow on to a range, shall not be used in conjunction with ranges with gas cooktop other than when the hood and range have been designed, tested and certified by an independent test laboratory for use in combination with each other.

Clearances to horizontal surfaces above the range, measured to the cooking surface are below. Failure to comply may result in fire hazard.

- Installations without a hood require 48" (122) minimum to combustibles.
- A custom hood installation with exposed horizontal combustible surfaces must have an Auto-On feature.
- For other installations with a hood, refer to the hood installation instructions for specific hood clearances.

CAUTION

These ranges weigh up to 400 pounds. Some disassembly will reduce the weight considerably. Due to the weight and size of the range and to reduce the risk of personal injury or damage to the product:

TWO PEOPLE ARE REQUIRED FOR PROPER INSTALLATION.

Anti-Tip Bracket Installation

WARNING

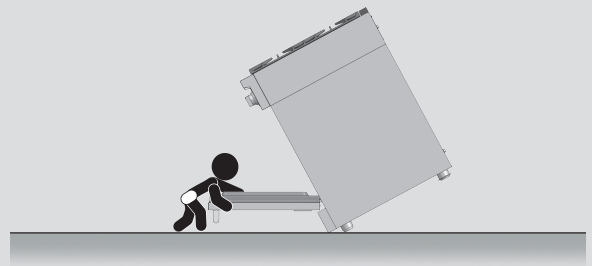
Tip Over Hazard

A child or adult can tip the range and be killed. Ensure the anti-tip bracket is engaged when the range is moved.

Do not operate range without anti-tip bracket installed and engaged.

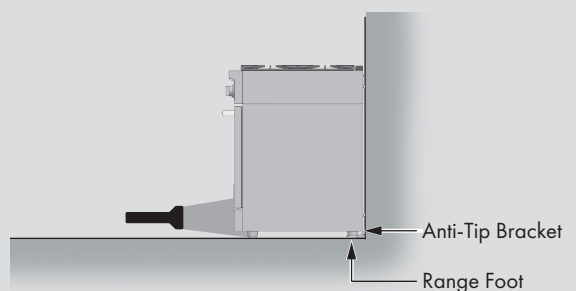
Failure to follow these instructions can result in death or serious burns to children and adults.

WARNING

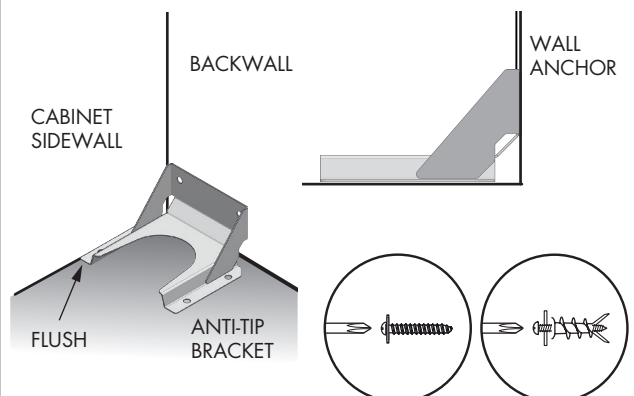


To verify the anti-tip bracket is installed and engaged:

- Slide range forward.
- Look for the anti-tip bracket securely attached to floor or wall.
- Slide range back so rear range foot is under anti-tip bracket.
- See installation instructions for details.



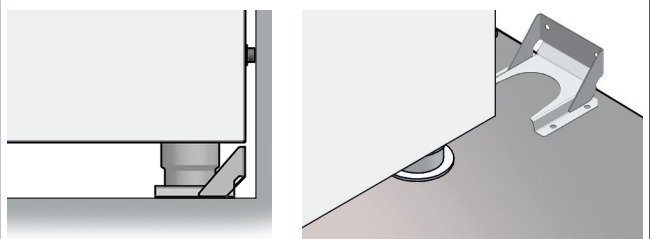
ANTI-TIP BRACKET INSTALLATION



For Concrete or Cement Construction:

You must use appropriate fastening hardware (not provided).

Secure the bracket to the wall and/or floor with at least 4 wood screws (provided).



The anti-tip bracket should be inserted into the opening on the anti-tip brace on the range.

WARNING

Excessive Weight Hazard

Use two or more people to move and install range. Failure to do so can result in back or other injury.

Cut Hazard

Beware of sharp edges. Use the polystyrene ends when carrying the product. Failure to use caution could result in minor injury or cuts.

Do not obstruct the flow of combustion air at the oven vent nor around the base or beneath the lower front panel of the range. Avoid touching the vent openings or nearby surfaces as they may become hot while the oven is in operation. This range requires fresh air for proper burner combustion. NEVER cover any slots, holes or passages in the oven or cover an entire rack with aluminum foil. Doing so blocks air flow through the oven and may cause carbon monoxide poisoning. Aluminum foil linings may also trap heat, causing a fire hazard.

CHOOSING RANGE LOCATION

Carefully select the location where the range will be placed. The range should be located for convenient use in the kitchen, but away from strong drafts. Strong drafts may be caused by open doors or windows, or by heating and/or air conditioning vents or fans.

IMPORTANT NOTE

When installing against a combustibile surface, a minimum riser is required for a the range, Follow all minimum clearances to combustibile surfaces shown in the illustration on the previous pages.

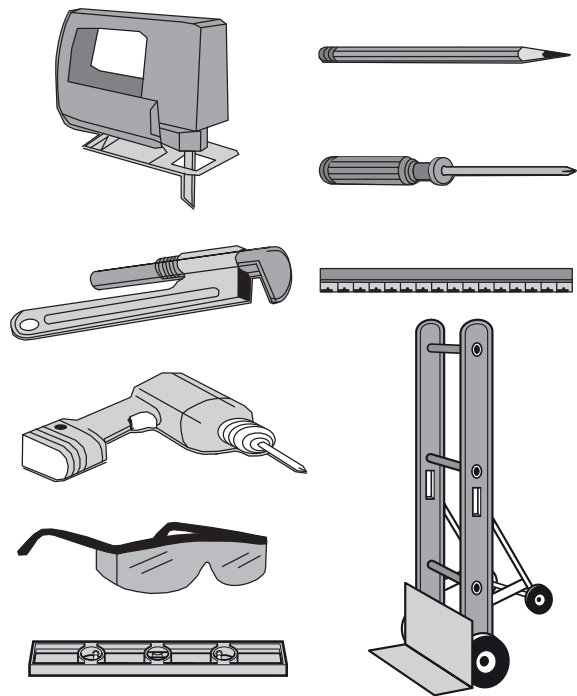
Before moving the range, protect any finished flooring and secure oven door(s) closed to prevent damage.

Do not lift or carry the range door by the door handle.

To eliminate the risk of burns or fire by reaching over heated surface units, cabinet storage space located above the surface units should be avoided. If cabinet storage is to be provided, the risk can be reduced by installing a range hood that projects horizontally a minimum of inches beyond the bottom of the cabinets.

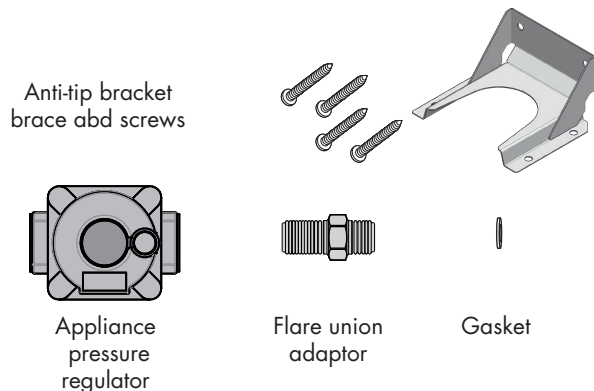
All openings in the wall or floor where the range is to be installed must be sealed.

TOOLS WILL YOU NEED

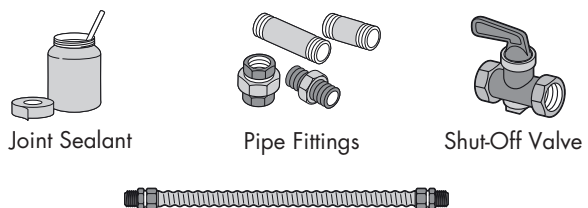


Remove packaging materials and literature package from the cooktop before beginning installation. Remove Installation Instructions from the literature pack and read them carefully before you begin

MATERIALS PROVIDED



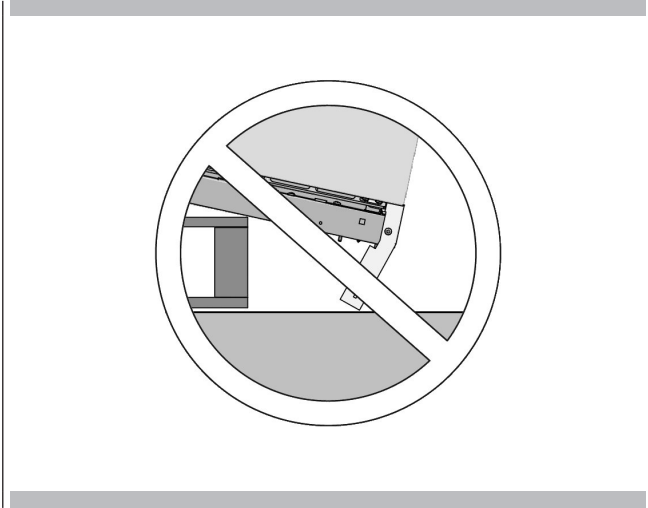
MATERIALS REQUIRED (not provided)



5-foot maximum length, 5/8" O.D. CSA-approved flexible metal gas supply (3-foot maximum length in Massachusetts only)

NOTE: Purchase new flexible line; do not use previously used flexible gas line.

Do not tip the range on its side when installing the legs. The sidewalls are not designed to bear the weight of the range and will bend. Any damage as a result of tipping will not be covered by warranty. Follow the method in the enclosed installation Manual.

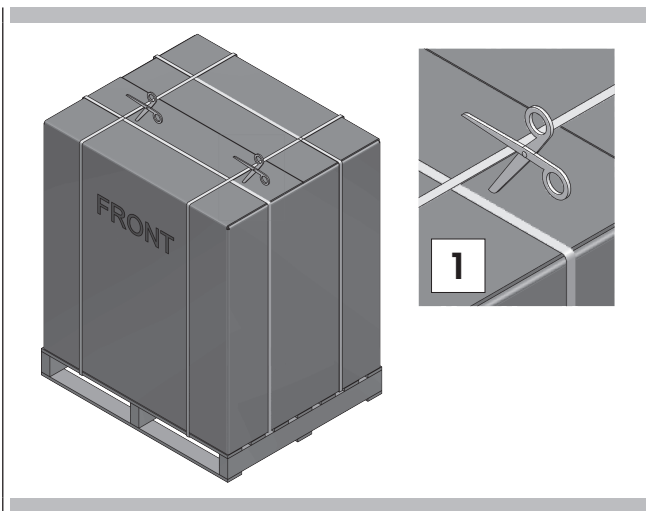


STEP 1

Cut the banding (1) and remove the Installation Instructions from the top of range and read them carefully before you begin.

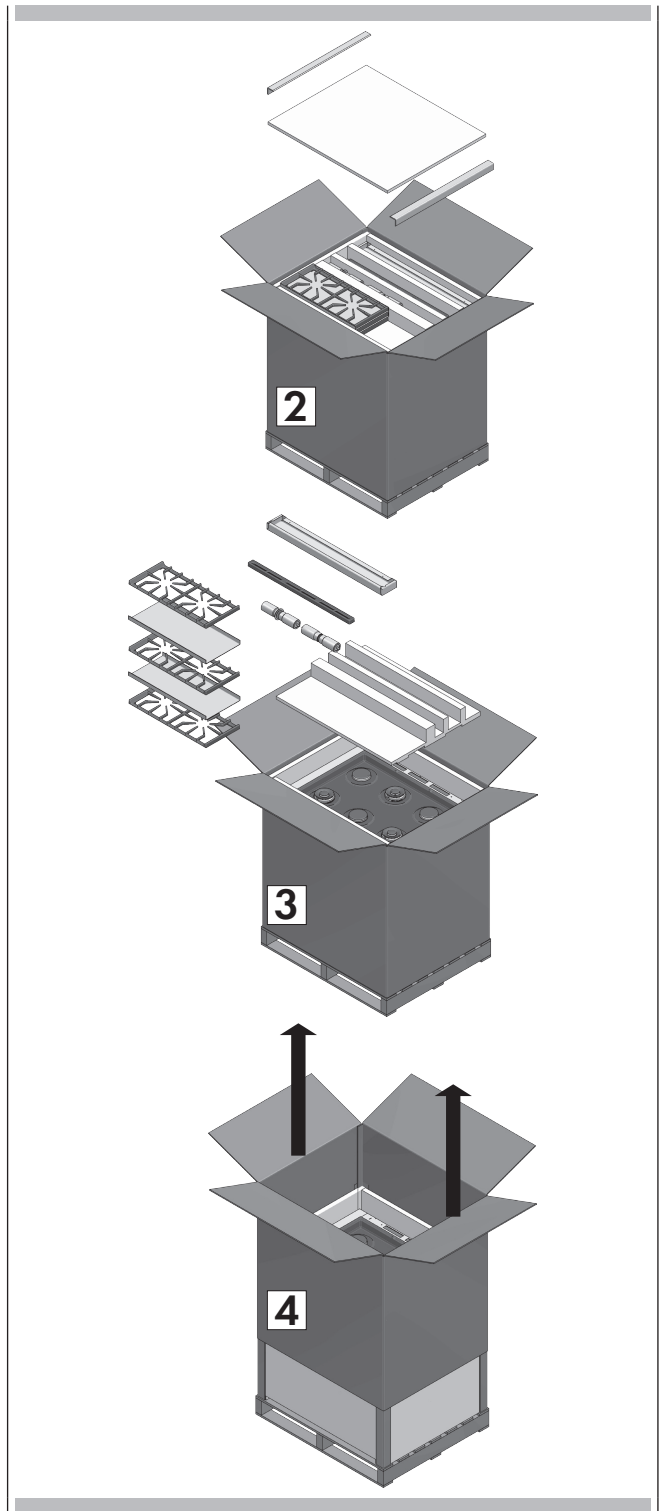
CAUTION

Stand clear. The ends of the cut banding may snap toward you.



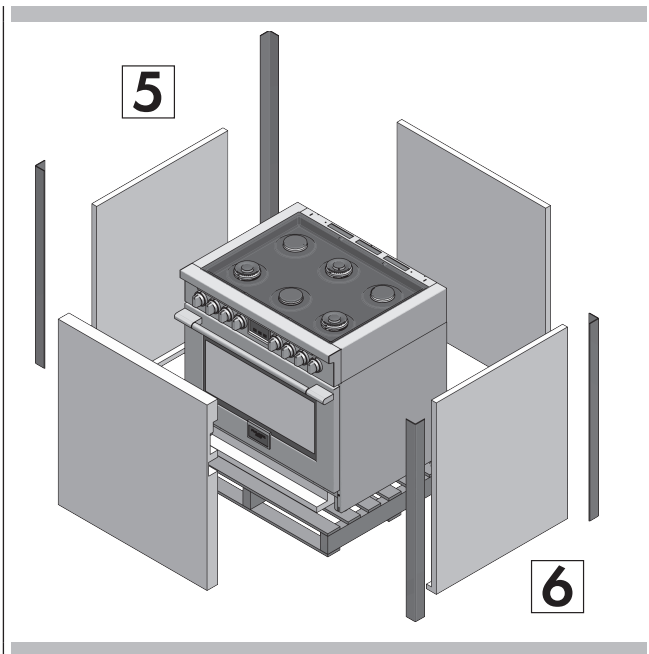
STEP 2

Open the top (2) and remove the accessories (3) then lift off the cardboard sheath (4).



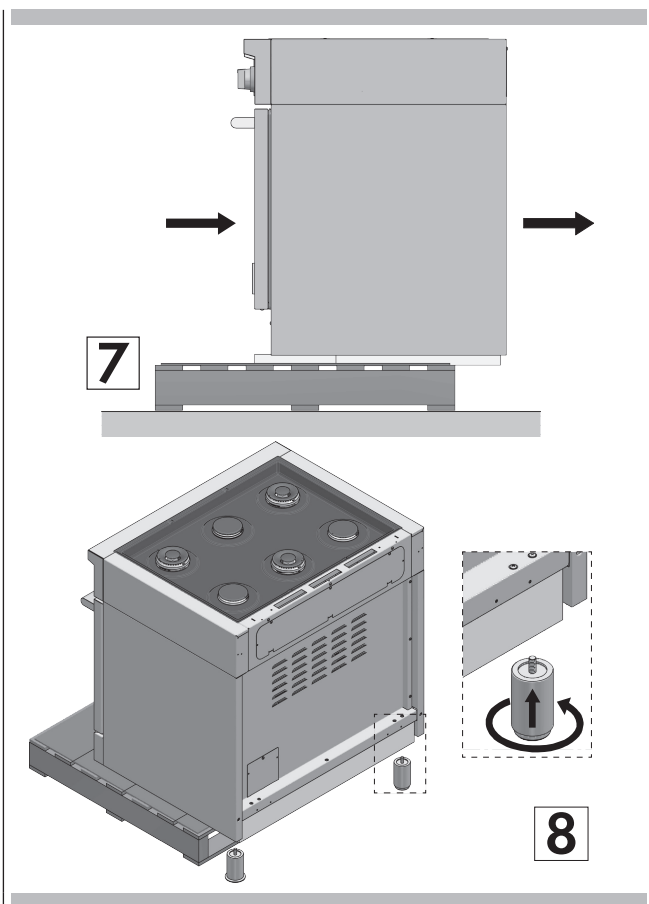
STEP 3

Remove Installation Instructions (5) from the top of range and read them carefully before you begin



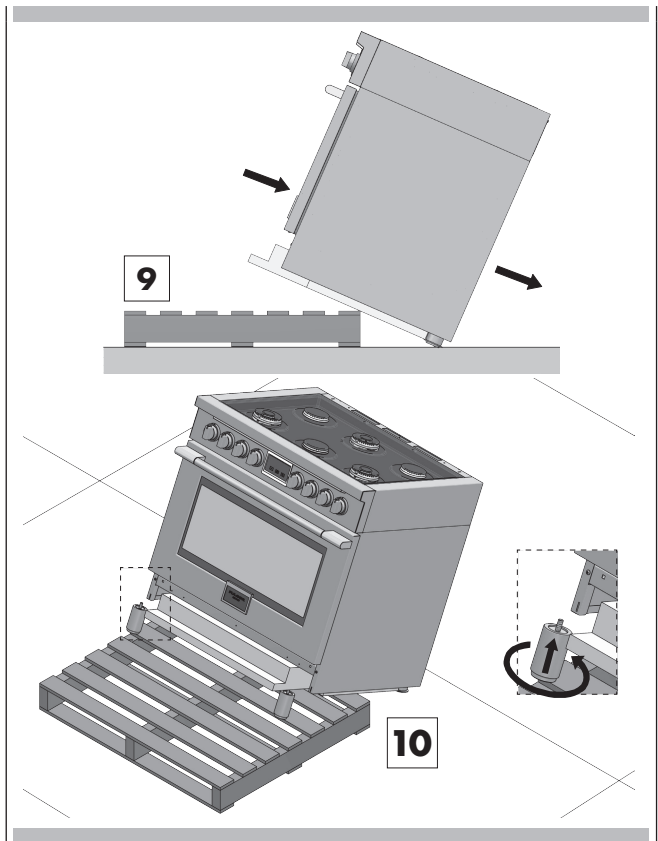
STEP 4

Slide the range back just enough to allow the rear feet to be installed.



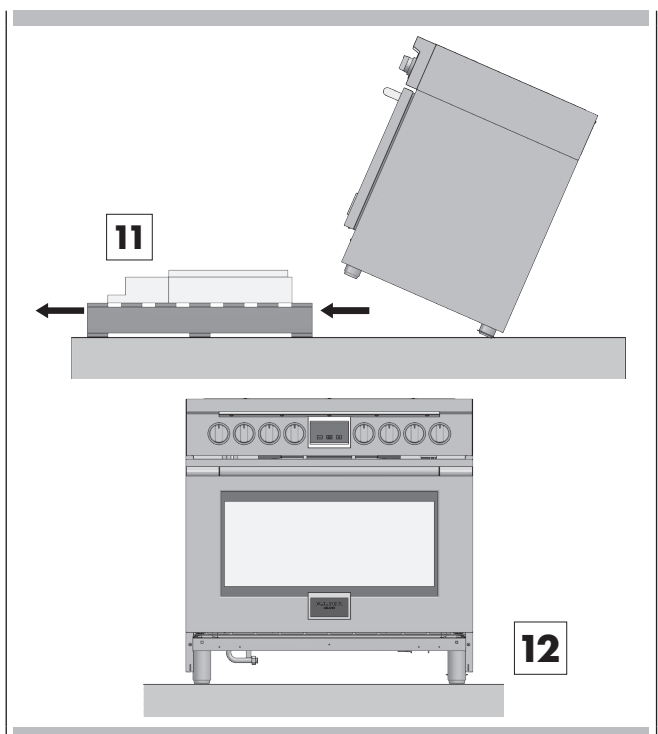
STEP 5

Slide back more and tilt back (9), putting the rear legs on the floor and then mount the front legs (10) while in this angled position supported by the rear legs and the skid.



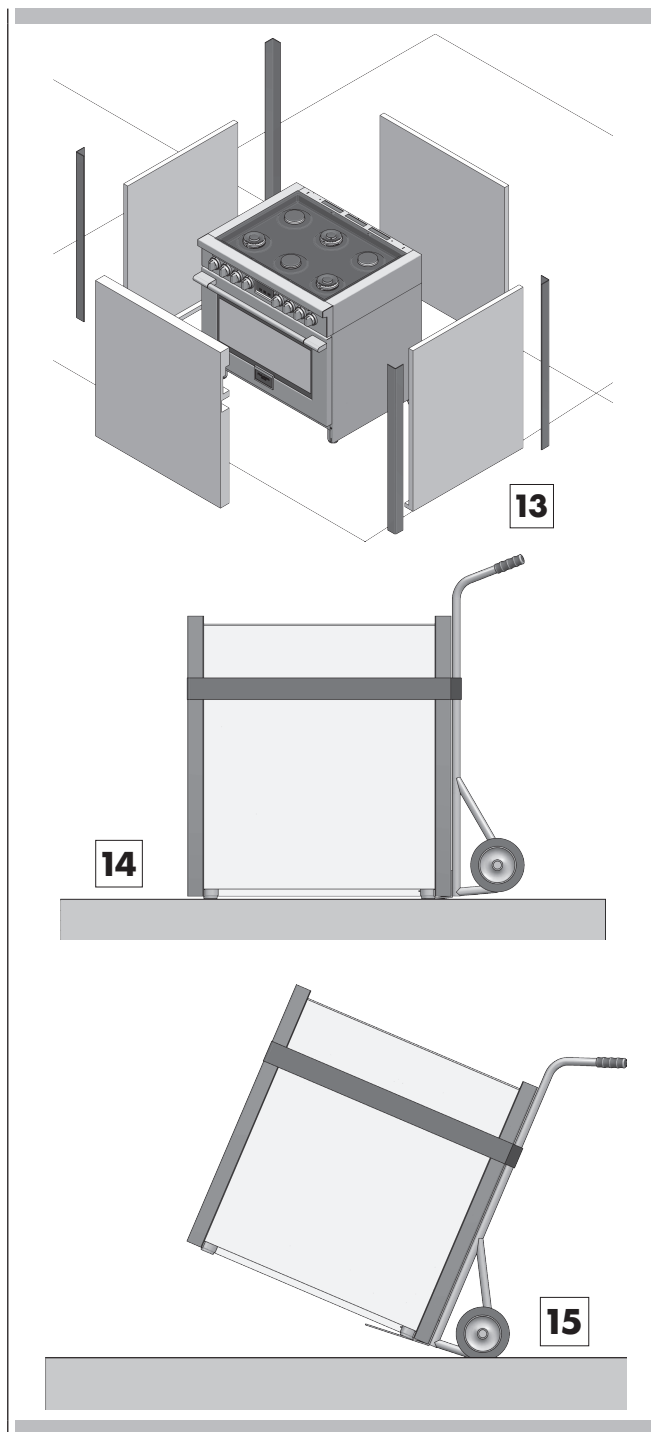
STEP 6

Remove the base while supporting the front of the range (11) and lower to the floor in a controlled manner (12).



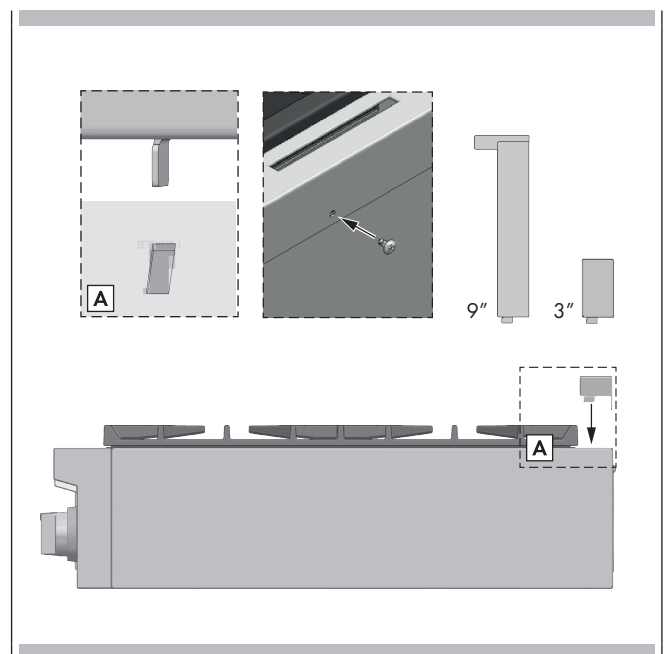
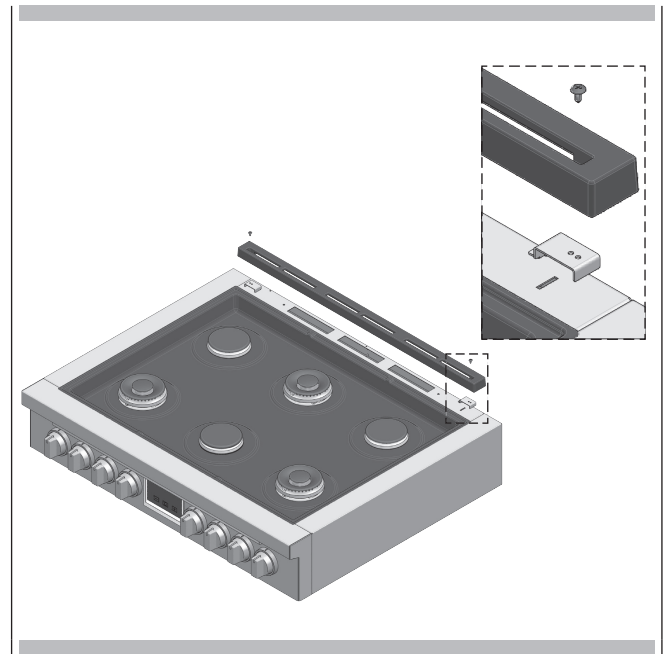
STEP 7

In case it is necessary to move the range; using the foam and/or cardboard packaging (13), replace them around the range strategically to protect the finished surfaces of the range from contact with the hand-truck and any straps around the unit (14). In the case of smaller ranges, you may use this technique to remove the range from the skid and installing the legs (15). Tilt the range to lower the hand-truck wheels off the skid. Place appliance runners on the floor at the left and right sides in front of the opening when moving into final position to protect flooring. The oven door(s) add(s) a great deal to the overall weight of the range, you may find it helpful to remove the doors if moving the range a significant distance. Refer to the included instruction manuals for how to remove and reinstall the doors.



STEP 8

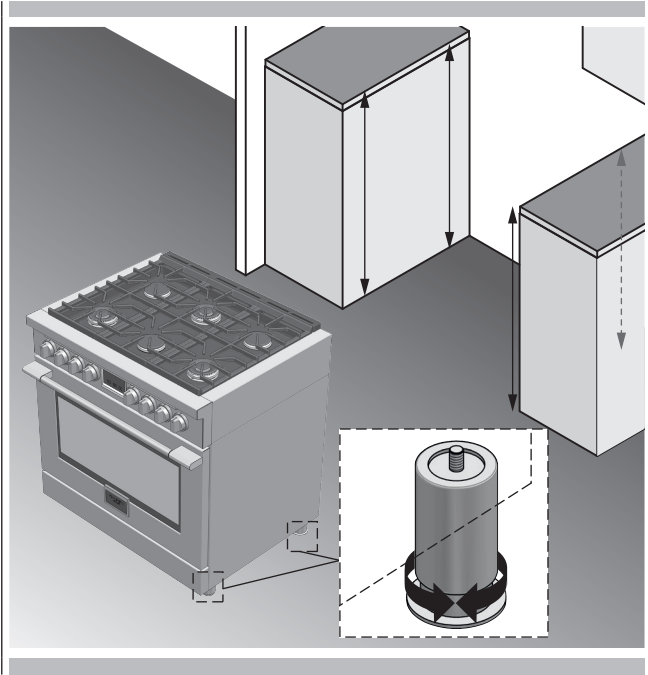
Install the back guard (if provided) by the three screws on the back. In some cases this may be an accessory back guard that was ordered separately rather than the one which was included with the range. Refer to instructions included with any accessory for specific installation requirements.



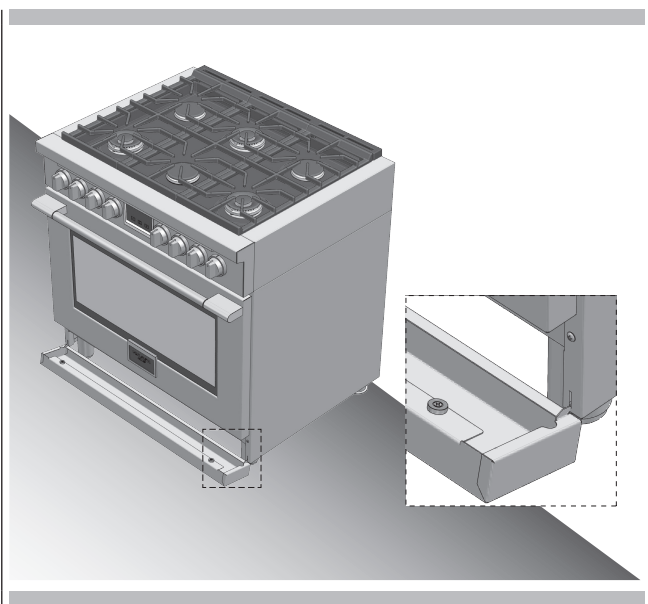
STEP 9

After completing the electrical and gas connections (see included instructions) measure the four corners in cutout area to verify if flooring is level. Adjust the leveling legs to the desired height and ensure range is level. Turn the bottom section of each leg counter-clockwise to raise the leg and clockwise to lower it.

Ensure floor is protected. Slide unit into place making sure to engage the anti-tip bracket.

**STEP 10**

Hook tabs on bottom of toekick into slots on either side of the frame and rotate up until the magnets at the top of toekick make contact and hold it in place securely



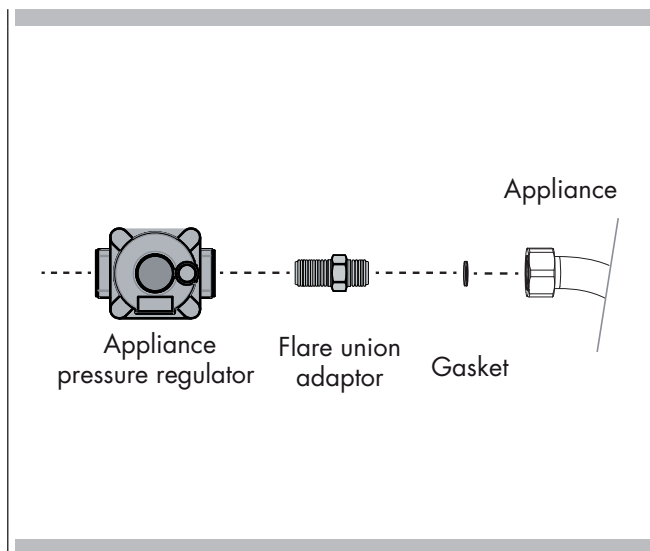
QUALIFIED SERVICE MAN OR GAS APPLIANCE INSTALLER MUST MAKE THE GAS SUPPLY CONNECTION.

Leak testing of the appliance shall be conducted by the installer according to the instructions given.

You must install the supplied connection parts seen here in this configuration to the main gas manifold on the appliance. Issues arising from a failure to do so will not be covered by warranty.

Do not install the pressure regulator backwards as the gas will not flow correctly. Check that the arrow on the back points in the direction of gas flow.

Parts required for connection from gas supply to regulator are the responsibility of the installer / owner



ATTENTION

Use Teflon tape rated for gas applications at all threaded connections. Do not overtighten the connection at the manifold or you could damage the gasket causing a leak.

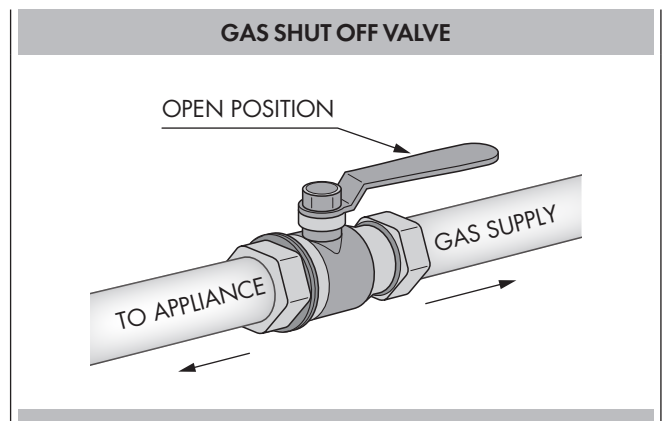
WARNING

If the line pressure supplying the appliance pressure regulator exceeds 14 inches W.C. (any gas), an external regulator must be installed in the gas line ahead of the appliance regulator to reduce the pressure to no more than 14 inches W.C. Failure to do this can result in malfunction and damage to the appliance.

Important Notes for Gas Connection

The appliance and its individual gas shutoff valve must be disconnected from the gas supply piping system during any pressure testing of that system at test pressures in excess of 1/2 psi (3.5 kPa).

The appliance must be isolated from the gas supply piping system by closing its individual manual shut-off valve during any pressure testing of the gas supply piping system at test pressures equal to or less than 1/2 psi (3.5 kPa).



All supply piping, except as noted, should use common National Pipe Thread (N.P.T.). For all pipe connections use an approved pipe joint compound resistant to the action of LP gas.

This appliance is designed for use with NG gas or LP gas. The gas pressure regulator is supplied with this appliance. It must be installed in the gas ahead of the manifold entrance. It is pre-set for use with natural gas. To use it with different gas it must be converted, as described in the Gas Conversion paragraph.

If at any time the appliance is to be used with a different type of gas, all the conversion adjustments must be made by a qualified technician before attempting to operate the range with that gas.

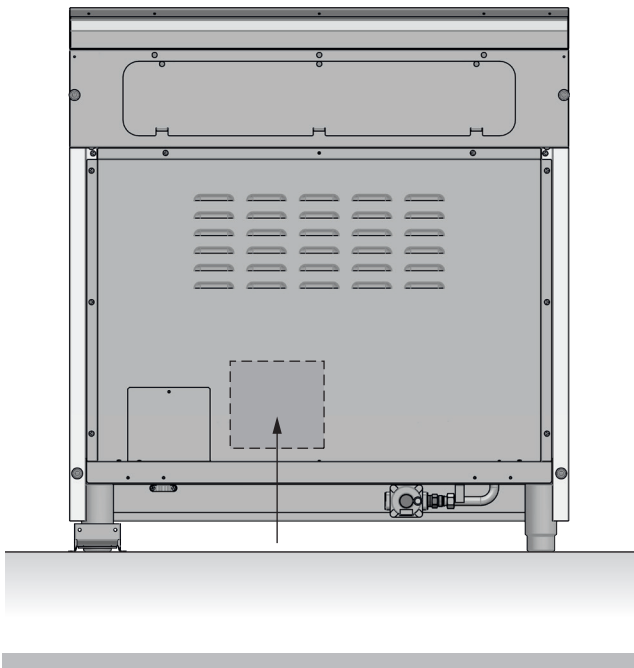
The gas should be supplied to the appliance's pressure regulator at line pressure between 6 and 14 inches of water column for

NG, and between 11 and 14 inches of water column for LP.

GAS REQUIREMENTS	
NATURAL GAS	WC
Manifold Pressure	5" (12.5 mb)
Min Line Pressure	6" (15 mb)
Max Line Pressure	14" (34.9 mb), .5 psi (3.5 kPa)

LP GAS	WC
Manifold Pressure	10" (25 mb)
Min Line Pressure	11" (27.4 mb)
Max Line Pressure	14" (34.9 mb), .5 psi (3.5 kPa)

LOCATION OF GAS RATING PLATE



IMPORTANT

NEVER REUSE OLD CONNECTORS WHEN INSTALLING THIS RANGE.

To reduce the likelihood of gas leaks, apply teflon tape or a thread compound approved for use with LP or Natural gases to all threaded connections.

Apply a non-corrosive leak detection fluid to all joints and fittings in the gas connection between the supply line shut-off valve and the cooktop inlet.

Check for leaks!

Bubbles appearing around fittings and connections will indicate a leak. If a leak appears, turn off supply line gas shut-off valve, tighten connections, turn on the supply line gas shut-off valve, and retest for leaks. Never test for gas leaks with an open flame.

NEVER TIGHTEN TO MORE THAN 35 ft lbs OF TORQUE

CAUTION

Do not attempt to attach the flexible connector directly to an external pipe thread.

Connection requires flare union adapters.

For Massachusetts Installations:

1. Shut-off valve must be a "T" handle gas valve.
2. Flexible gas connector must not be longer than 36 inch.
3. Not approved for installation in a bedroom or a bathroom unless unit is direct vent.

Pressure Testing

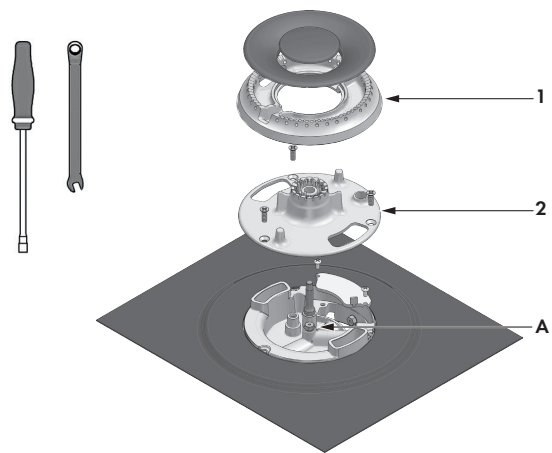
The appliance must be isolated from the gas supply piping system by closing its individual manual shut-off valve during any pressure testing of the gas supply piping system at test pressures equal to or less than 1/2 PSIG (3.5 kPa).

This appliance, as well as its individual shut-off valve, must be disconnected from the gas supply piping system during any pressure testing of the system at test pressures in excess of 1/2 PSIG (3.5 kPa).

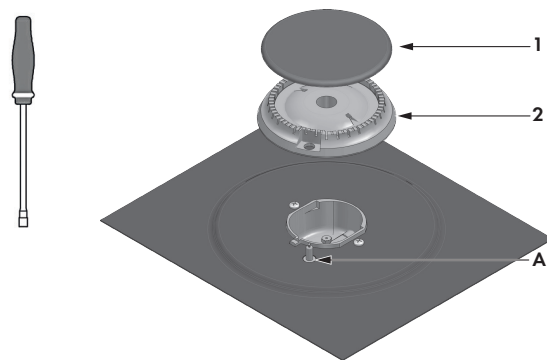
When checking appliance regulator function, make certain pressure of natural gas supply is between 6 and 14 inches of water column or, if converted for LP gas, between 11 and 14 inches.

THE PRESSURE TESTING SHOULD BE PERFORMED BY MEANS OF THE INJECTOR THREAD ZONE

EXPLODED VIEW DUAL BURNER



EXPLODED VIEW SINGLE BURNER



Pressure Test Method

- Remove grate and burner cap (1).
- Remove aluminum gas spreader (2).
- Temporarily remove the injectors (A).
- Connect the pressure Test instrument into injector holder thread zone (M6x0,75).
- Check if the cooktop has the correct pressure.
- Fix the injector removed for testing and replace the parts in the right position.

Gas Connection

- Thread the appliances pressure regulator with 1/2" male end connection both supplied with this appliance.
- Join the pressure regulator to the entrance threads of the Gas Manifold with gasket supplied with this appliance. The regulator is marked with a directional arrow indicating correct direction of gas flow. Ensure the appliance regulator is installed with the arrow pointing toward the gas manifold entrance.
- Connect a manual shut-off valve to the gas supply in an accessible location for turning on or shutting off gas to the appliance.
- Install a coupling between the regulator and the shutoff valve to complete the connection.
- Assure all pipe joint connections are gas tight.
- Check alignment of valves after connecting the cooktop to the gas supply to be sure the manifold pipe has not been moved.

FOR ALTERNATIVE PIPING METHODS TO CONNECT THE APPLIANCE TO THE GAS SUPPLY, A TRAINED SERVICE TECHNICIAN OR GAS APPLIANCE INSTALLER MUST MAKE THE GAS SUPPLY CONNECTION. Leak testing of the appliance shall be conducted by the Installer according to the Instructions given.

Unless prohibited by local codes or ordinances, a new A.G.A. - Certified, flexible metal appliance connector may be used to connect this appliance to its gas supply.

The connector must have an internal diameter not less than nominal 1/2" NPT pipe and be no more than 5 feet in length. A 1/2" NPT x 1/2" flare union adaptor is required at each end of the flexible connector.

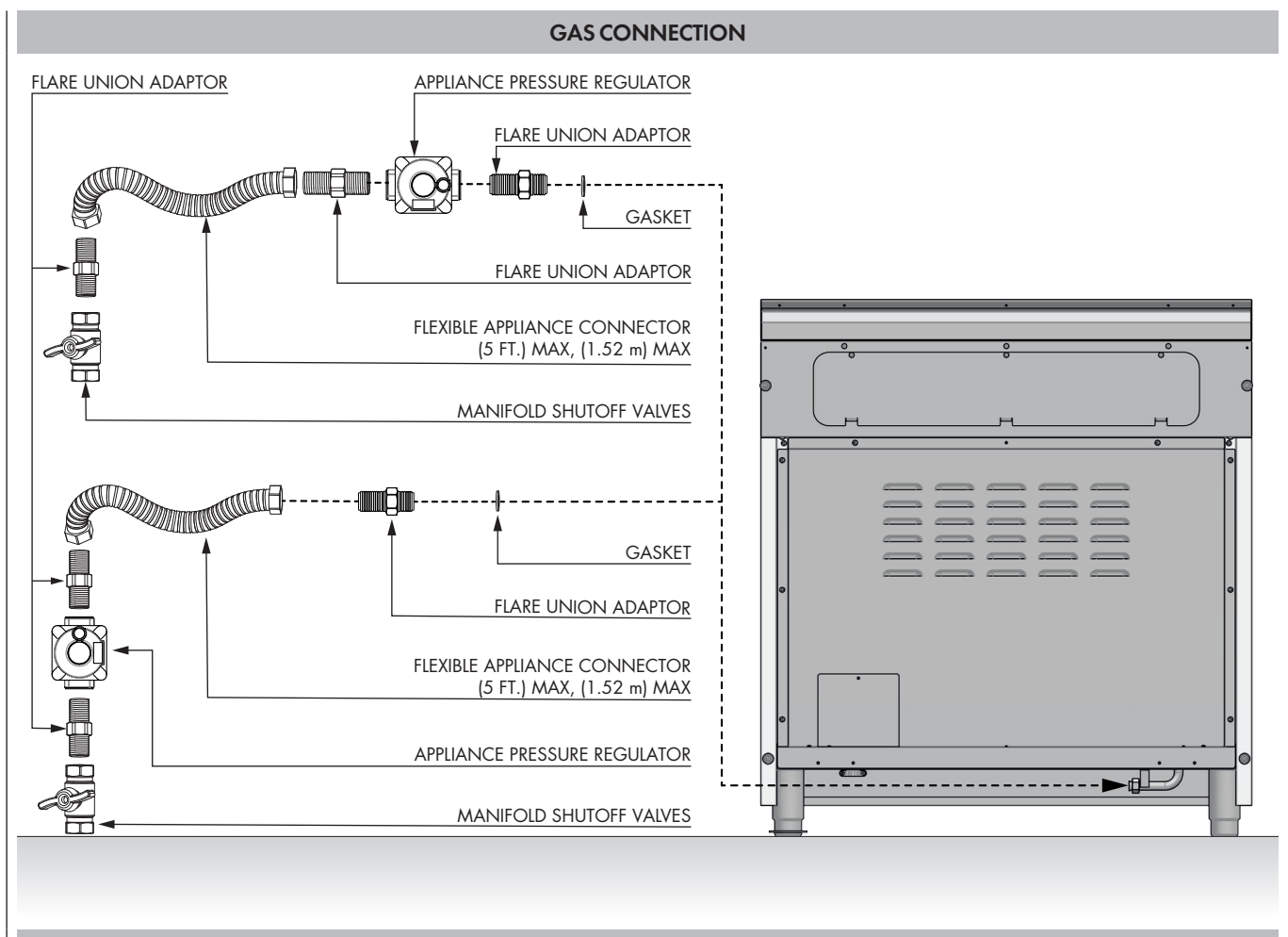
If a flexible connector is used assure that both the appliance pressure regulator and manual shut-off valve are joined solidly to other permanent hard piping (either gas supply or the appliance manifold) so as to be physically stationary.

CAUTION

Do not attempt to attach the flexible connector directly to an external pipe thread. Connection requires flare union adapters.

For Massachusetts Installations:

1. Shut-off valve must be a "T" handle gas valve.
2. Flexible gas connector must not be longer than 36 inches.
3. Not approved for installation in a bedroom or a bathroom unless unit is direct vent.



Converting Appliance for Use with LP Gas

WARNING

Conversion is to be performed by an AUTHORIZED SERVICER (or other qualified agency) in accordance with the manufacturer's instructions and all codes and requirements of the authority having jurisdiction. Failure to follow instructions could result in serious injury or property damage. The qualified agency performing this work assumes responsibility for this conversion.

CAUTION

Before proceeding with the conversion, shut off the gas supply to the appliance prior to disconnecting the electrical power

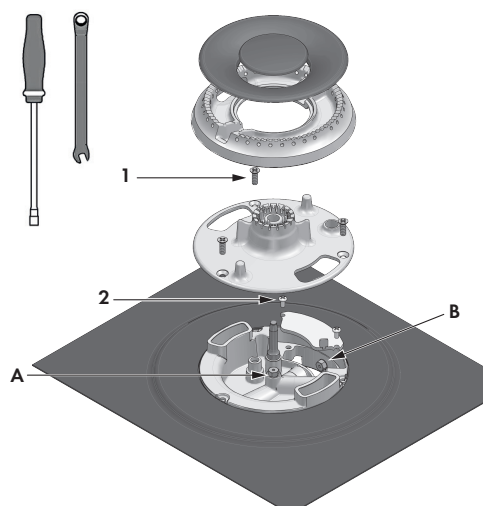
If this appliance is to be converted for use with gas LP (propane or butane), each of the following modifications must be performed:

Gas conversion label (aluminium) to be placed on the back of the appliance, near the data plate, after conversion has been carried out;

Replace Injectors (two ring flame burner)

1. Remove the grates and burner caps.
2. Remove aluminium gas spreader.
3. Remove the three screws from the simmer gas spreader (1).
4. Remove the two screws of the injector cover (2).
5. Remove injector (A) by using a 9-32" (7 mm) nut driver counter clockwise.
6. Remove injector (B) by using a 9-32" (7 mm) box wrench counter clockwise.
7. Install the injectors supplied with this appliance in the appropriate burner. The injectors have small numbers stamped on the side, this number corresponds with the orifice diameter and its correct burner location (refer to illustrations in the section: "Injectors Position").
8. Turn clockwise to tighten (tighten to a torque of 15 to 20 inch-lbs).
9. Replace all parts following the reverse order.
10. Save the injectors removed from the appliances for future use.

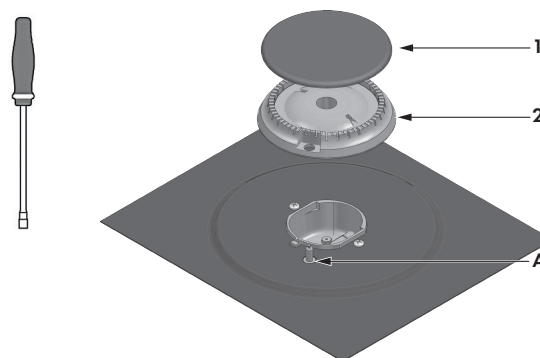
EXPLODED VIEW DUAL BURNER



Replace injector on (one ring flame or burners)

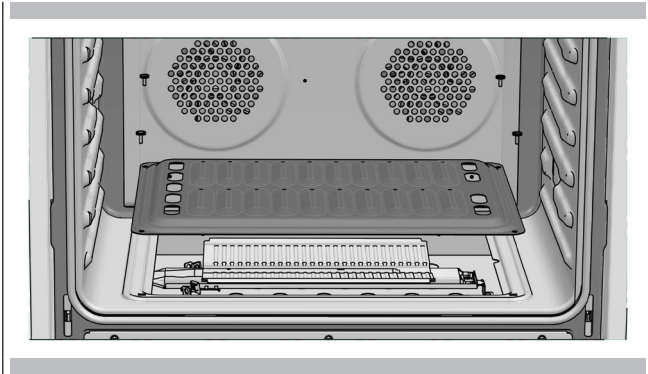
1. Remove the grates and burner cups.
2. Remove aluminium gas spreader.
3. Loosen injector by turning 9-32" (7 mm) nut driver counter clockwise.
4. Install the injectors supplied with this appliances in the appropriate burner. The injectors have small number stamped on the side, this number codes the orifice diameter and its correct burner location (see figure on page 18).
5. Turn clockwise to tighten (tighten to a torque of 15 to 20 inch-lbs).
6. Replace all parts following the reverse order.
7. Save the orifices removed from the appliance for future use.

EXPLODED VIEW SINGLE BURNER

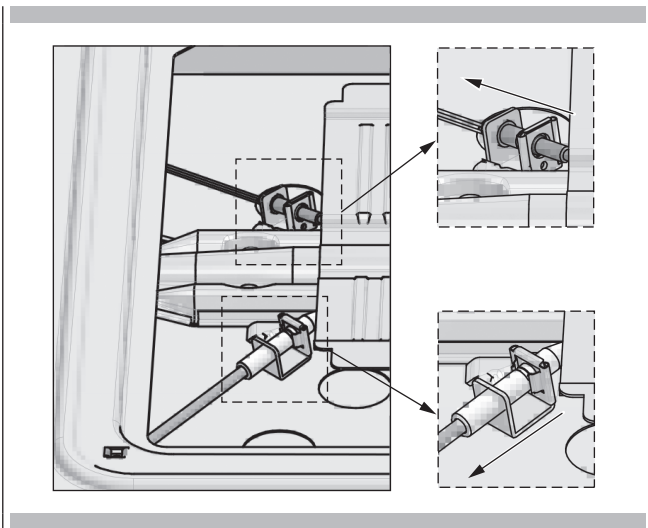


Replace injector on (oven lower burner)

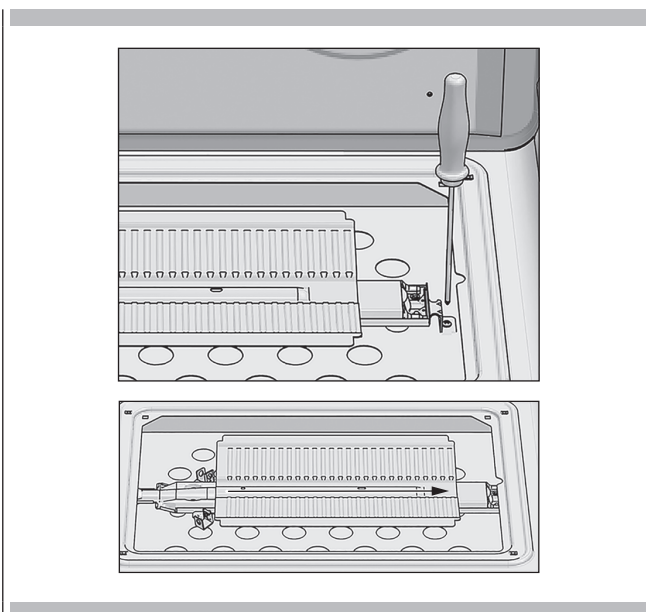
1. Remove the burner cover plate.



2. Disconnect both heat sensor and the ignition spark plug.



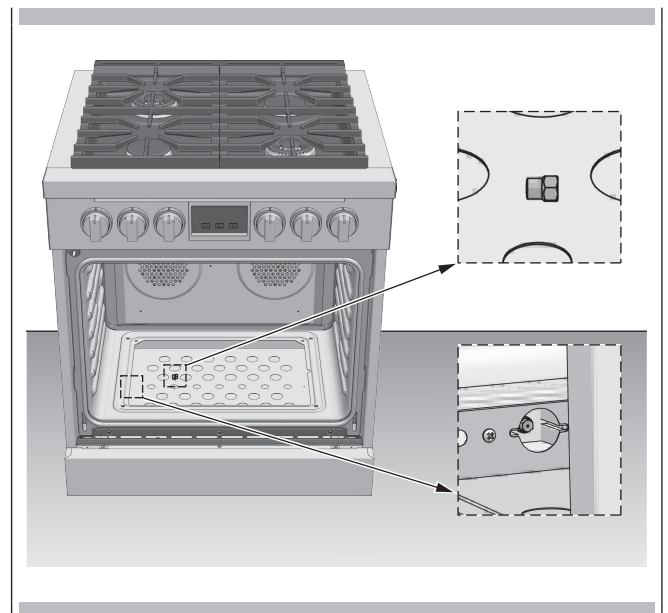
3. Remove the screw securing the oven burner and withdraw the burner from the support.



4. Remove the nozzle by turning 9-32" (7 mm) nut driver counter clockwise.

5. Install the injectors supplied with this appliances in the appropriate burner. The injectors have small number stamped on the side, this number codes the orifice diameter and its correct burner location (see figure of the paragraph "Injectors position").

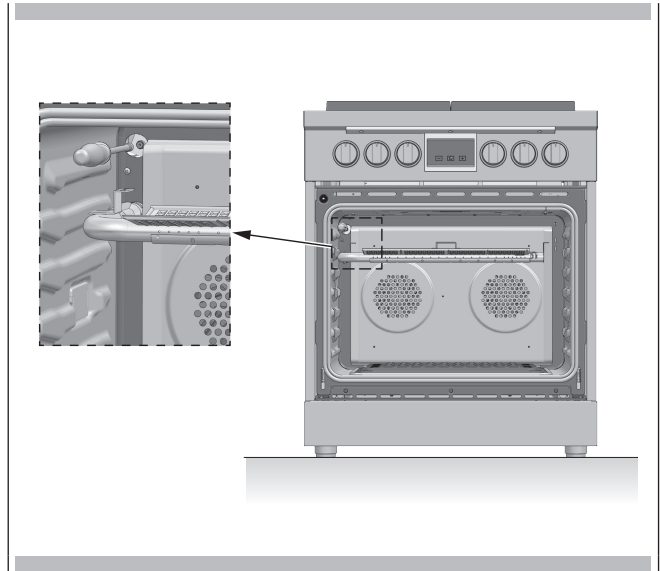
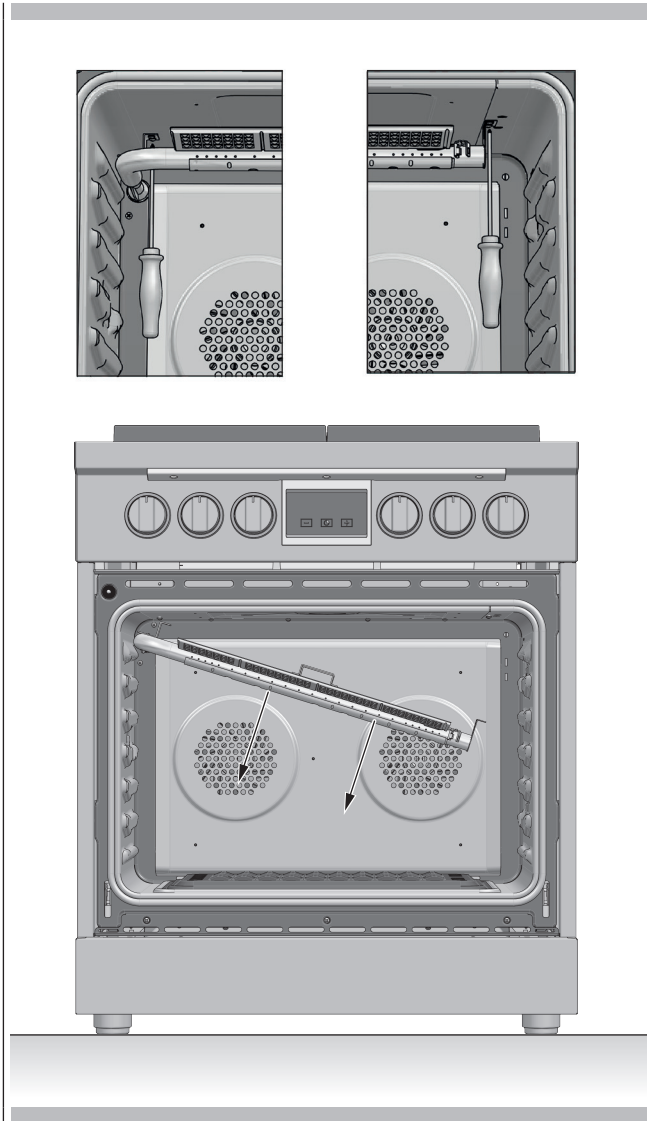
6. Turn clockwise to tighten (tighten to a torque of 15 to 20 inch-lbs)



7. Replace all parts following the reverse order. Save the injectors removed from the appliances for future use.

Replace injector on (oven grill burner)

1. Remove the door as described in the paragraph "Door removal"
2. Remove the screws securing the grill burner and withdraw the burner from the support.
3. Remove the nozzle by turning 9-32" (7 mm) nut driver counter clockwise.



4. Install the injectors supplied with this appliances in the appropriate burner. The injectors have small number stamped on the side, this number codes the orifice diameter and its correct burner location (see figure of the paragraph "Injectors position").
5. Turn clockwise to tighten (tighten to a torque of 15 to 20 inch-lbs)
6. Replace all parts following the reverse order paying attention to the correct placement of the burner.
7. Save the injectors removed from the appliances for future use.

Proceed to Pressure Regulator Conversion noting the LP / Propane position to complete the conversion.

After replacing the injectors adjust the burner flame (see Low Flame Adjustment paragraph).

Check the appearance of each burner's flame at HI/LO settings, if the flame appears too large or too small make sure that all steps were completed correctly.

Converting Appliances for Use with NG Gas

If this appliance should be converted for use with gas NG (natural gas), each of the following modifications must be performed.

1. Convert the pressure regulator to NG position as per the section "Pressure Regulator Conversion".
2. Replace all injectors following the step described on the previous pages, observe the number stamped on the side, this number corresponds to the orifice diameter and its correct burner location (refer to the illustrations in section: "Injectors Position").
3. Adjust the burner flame (see Low Flame Adjustment section).

Check the appearance of each burner's flame at HI - LO settings, if the flame appears too large or too small make sure that all steps were completed correctly.

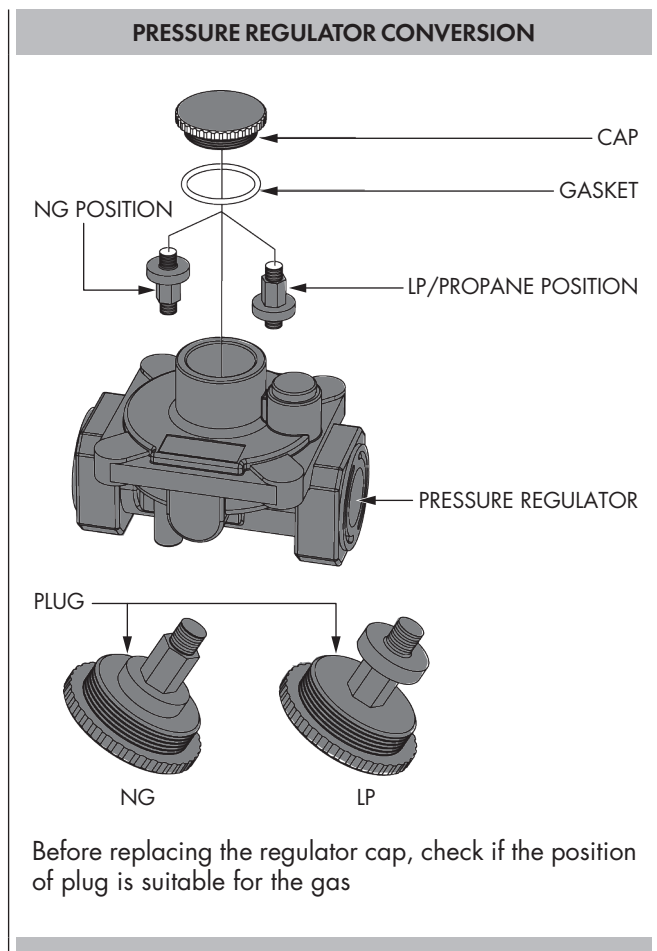
Pressure regulator conversion

The appliances is designed for use with NG gas or LP gas. The gas pressure regulator is supplied. It must be installed in the gas supply line ahead of the manifold entrance.

It is pre-set for use with the gas as indicated on the appliance label supplied with the appliance. For use with different gas the appliance must be converted.



For the pressure regulator conversion follow the instructions below:

- Disconnect all electrical power, at the main circuit breaker or fuse box.
- Shut off the gas supply to the cooktop by closing the manual shut-off valve.
- Adjust the pressure regulator, by following the instruction (see figure)
 1. Unscrew the regulator cap
 2. Unscrew the plastic conversion plug from the cap turn over and screw back (wide section away from cap for LP and against cap for NG) see figures below.
 3. Replace the regulator cap ensuring gasket is in place.

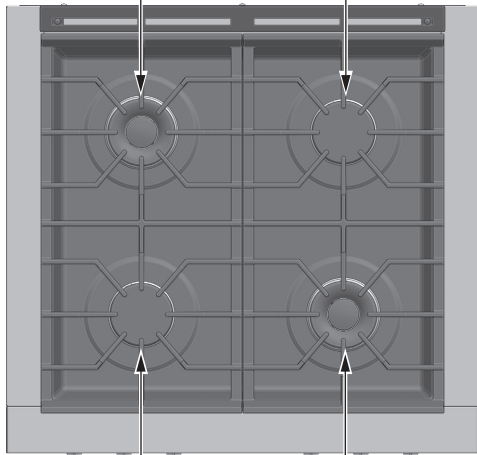


INJECTORS POSITION

NG- DUAL FLAME RING 30"

-  SIMMER 72
-  MAIN FLAME 180

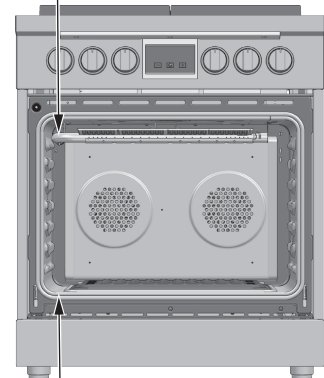
-  180



-  180





-  SIMMER 72
-  MAIN FLAME 180

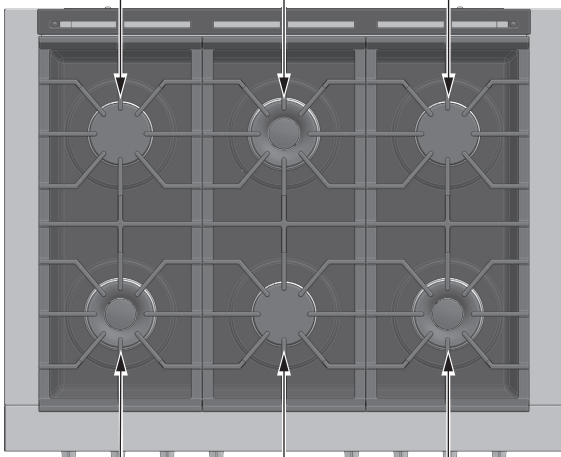
-  175





-  210



NG- DUAL FLAME RING 36"

-  180
-  SIMMER 72
-  MAIN FLAME 180
-  180

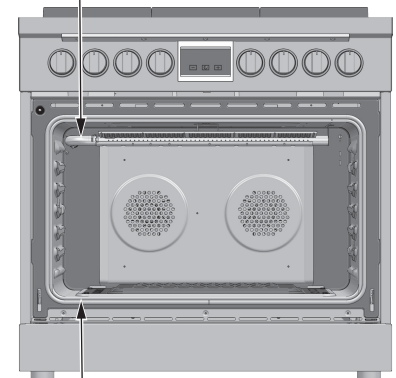


-  SIMMER 72
-  MAIN FLAME 180

-  180

-  SIMMER 72
-  MAIN FLAME 180

-  200

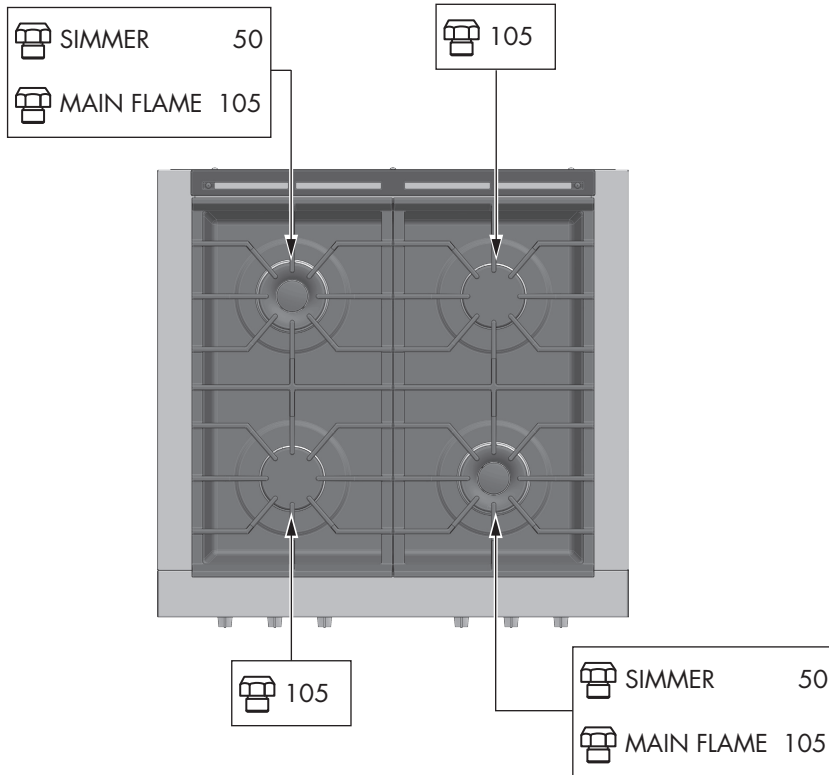


-  230

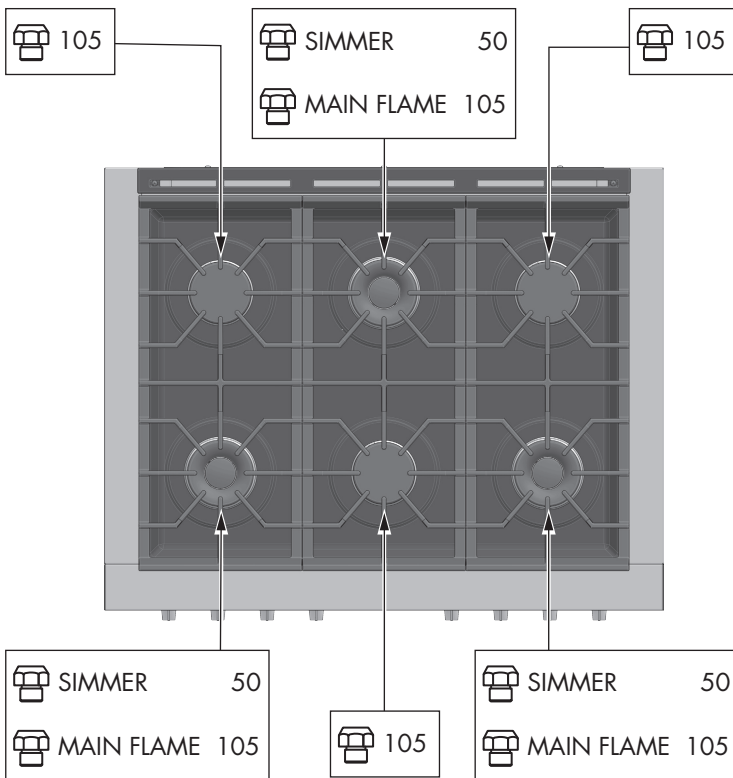
* depending on the model

INJECTORS POSITION

LP- DUAL FLAME RING 30"



LP- DUAL FLAME RING 36"



Low Flame Adjustment

⚠ DANGER

Lighting gas burners with a match is dangerous. You should match light the burners only in an emergency. Light a match and hold the flame near the burner you want to light. Wooden matches work best. Push in and turn the control knob slowly. Be sure you are turning the correct knob for the burner you are lighting.

NOTE: If the burner does not light within five seconds, turn the knob off and wait one minute before trying again.

⚠ CAUTION

If you attempt to measure the inner cone of the flame, please use caution. Burns could result.

This appliance is shipped from the factory with low and medium flame settings adjusted. If further adjustment is necessary, proceed as follows:

Adjustment for Burners with one or two flame rings:

1. Light burner and set control knob for low flame.
2. Remove control knob from valve stem.
3. Remove knob seat from control panel.

4. Insert a slender, thin-blade screwdriver into the recess behind the control knob (A or B) and engage blade with slot in adjusting screw.
5. Turn adjusting screw to set flame size:
 - clockwise to reduce
 - counterclockwise to increase
6. Replace control knob when adjustment is completed.

Adjustment for Lower Oven Burner:

1. Light burner and set control knob for low flame.
2. Remove control knob from valve stem.

Conversion from natural gas to liquid gas

3. insert the screwdriver in the hole in the front wall of the instrument panel and turn regulation screw A clockwise.

Conversion from liquid gas to natural gas

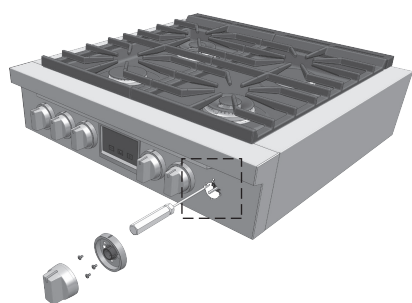
4. Light the oven with thermostat set to 250 °C for at least 10-15 minutes.

Then, turn the thermostat to the minimum position and turn the bypass screw A counterclockwise until you see a reduced by stable flame.

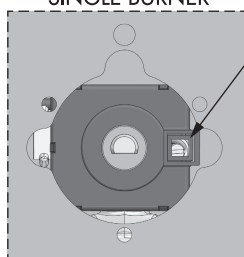
NOTE: Check that the flame does not go out when the door of the oven is opened and closed repeatedly. If the flame goes out, slight increase the minimum regulation setting.

5. Replace control knob when adjustment is completed.

ADJUSTMENT FOR COOKTOP BURNERS

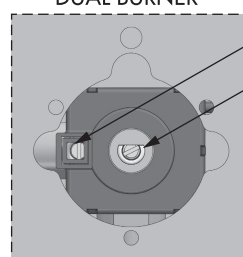


SINGLE BURNER



SINGLE FLAME

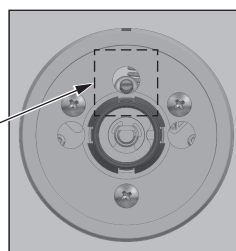
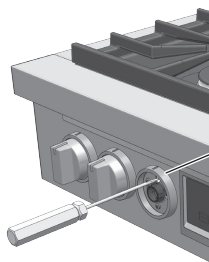
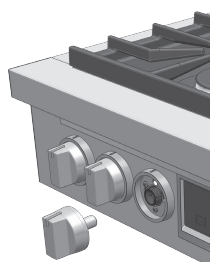
DUAL BURNER



A SIMMER

B MAIN FLAME

ADJUSTMENT FOR LOWER OVEN BURNER



Proper adjustment will produce a stable, steady blue flame of minimum size.

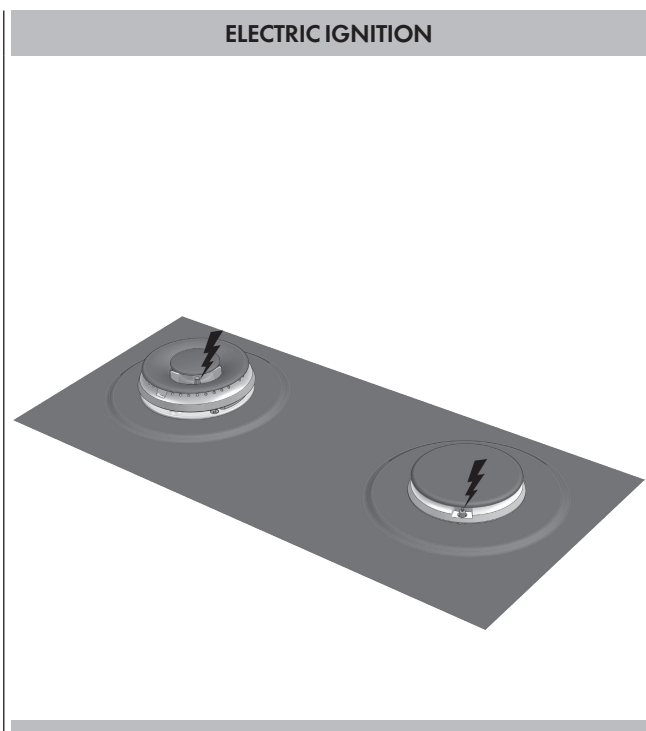
The final adjustment should be checked by turning the knob from high to low several times without extinguishing the flame. This adjustment, at low setting, will automatically provide the proper flame size at medium setting.

After Conversion steps have been completed, check the appearance of each burner's flame at the HI and LO settings, if the flames appear too large or too small review each step to make sure it was completed correctly.

NOTE: To obtain the correct minimum setting with LP gas, turn clockwise tightening the valve(s) fully with the thin-blade screwdriver into the recess behind control knob (A and / or B).

Electric Gas Ignition

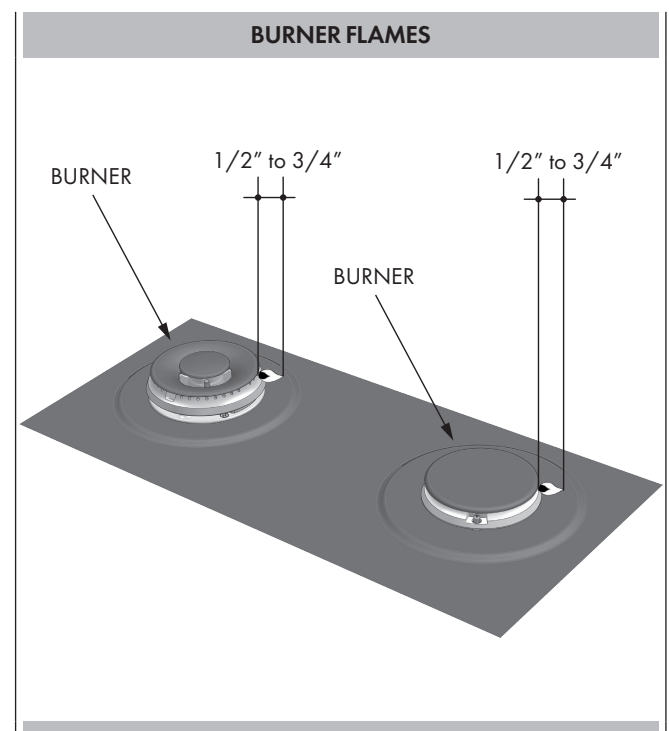
The gas burners use an electric ignition device located near each burner ensures burners ignite automatically.



See Use & Care manual for better explanation and its control.

The Burner Flames

Turn each burner on. Flames should be blue in color with no trace of yellow. The burner flames should not flutter or blow away from the burner. The inner cone of the flame should be between 1/2" and 3/4" long.



General Information

This appliance must be supplied with the proper voltage and frequency and connected to an individual, properly grounded branch circuit, protected by a circuit breaker or fuse having amperage as noted on the rating plate. We recommend you have the electrical wiring and hookup of your appliance connected by a qualified electrician.

After installation, have the electrician show you where your main appliance disconnect is located. Check with your local utilities for electrical codes which apply in your area. Failure to wire your cooktop according to governing codes could result in a hazardous condition.

If there are no codes, your appliance must be wired and fused to meet the requirements of the National Electrical Code, ANSI/NFPA No. 70 - Latest edition.

You can get a copy by writing:

National Fire Protection Association
Battery march Park
Quincy, MA 02269

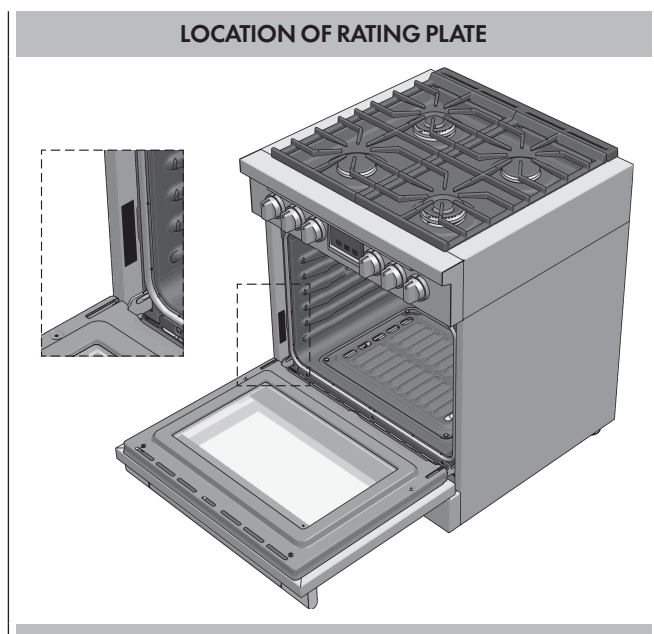
In Canada your appliance must be wired and fused to meet the requirements of the Canadian Electrical Code.

Be sure the installation of this product in a mobile home conforms with the Manufactured Home Construction and Safety Standard, Title 24 CFR, Part 3280.

If this standard does not apply, you must follow the standard for Manufactured Home Installations, ANSI A225.1 and Manufactured Home Installations, Sites and Communities and ANSI/NFPA 501A or with local codes.

You can get a copy of the Federal Standard by Writing:

Office of Mobile Home Standards
HUD Building
451 7th Street, S.W.
Washington, D.C. 24010



Electrical Connection

An adequate electrical supply and outlet must be used to operate the electrical parts of your appliance.

WARNING

ELECTRICAL SHOCK HAZARD

Electrical Grounding Instruction Plug into a grounded 3 prong outlet.

- Do not remove ground prong.
- Do not use an adapter.
- Do not use an extension cord.

Failure to follow these instructions can result in death, fire, or electrical shock.

IMPORTANT

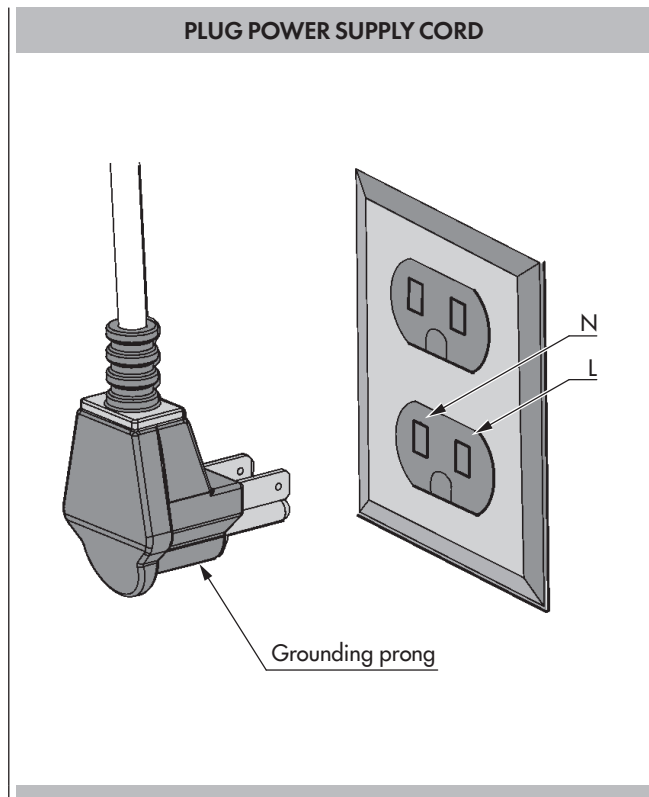
FOR PERSONAL SAFETY, THIS APPLIANCE MUST BE PROPERLY GROUNDED.

The power cord of this appliance is equipped with a 3-prong (grounding) plug which must be used with a properly grounded 3-hole outlet with a standard 120 Volt, 60 cycle AC household current. If you do not have a 3-hole grounded outlet, have a qualified electrician change your old one.

A grounding adaptor will be needed to convert the old one until the outlet can be replaced. This method is only temporary, and a qualified electrician should test it to be sure it meets requirements.

Electrical Requirements

Do not under any circumstances cut or remove grounding prong from the appliance cord.



WARNING

- If cold water pipe is interrupted by plastic, non metallic gaskets, union connections or other insulating materials, DO NOT use for grounding.
- DO NOT ground to a gas pipe.
- DO NOT have a fuse in the NEUTRAL or GROUNDING circuit. A fuse in the NEUTRAL or GROUNDING circuit could result in an electrical shock.
- Check with a qualified electrician if you are in doubt as to whether the appliance is properly grounded.
- Failure to follow these instructions could result in serious injury or death.

CAUTION

Do not repair or replace any part of the appliance unless specifically recommended in the manual. All other servicing should be done by a qualified technician. This may reduce the risk of personal injury and damage to the appliance. Never modify or alter the construction of the appliance by removing panels, wire covers, screws, or any other part of the product.

TABLES DES MATIERES	PAGE
1 - Avertissement Spéciaux	2
Avant de Procéder à l'Installation	2
Installation autocaravane	2
Micro-maisons préfabriquées	2
2 - Dimensions et Dispositions pour la Découpe	3
Instructions d'installation des supports anti-bascules	5
3 - Consignes d'installation	7
4 - Instructions d'Installation	8
5 - Conditions Requies Gaz	12
Vérification de la Pression	13
Méthode de Test de Pression	13
Raccordement du Gaz	14
6 - Conversion Gaz PL ou Gaz Naturel	15
Conversion de l'Appareil pour Fonctionner au Gaz PL	15
Remplacez un injecteur (brûleur avec deux anneaux de flamme)	15
Remplacez un injecteur (couronne de flamme ou brûleurs)	15
Conversion des Appareils pour Une Utilisation avec Gaz Naturel	18
Conversion du régulateur de pression	18
Position des Injecteurs	19
Réglage Petite Flamme	21
Réglage pour brûleurs avec un ou deux anneaux de flamme:	21
Allumage à gaz électrique	22
Les Flammes du Brûleur	22
7 - Conditions Requies Electricité	23
Information Général	23
Branchement Electrique	23
Requies Electricité	24

IMPORTANT: Gardez ces instructions pour une utilisation d'inspection électrique locale

INSTALLATEUR: Veuillez laisser ce manuel au propriétaire pour de futures références.

PROPRIETAIRE: Veuillez garder ce manuel pour de futures références.

LEXIQUE: NG - Gaz naturel
LP - Propane liquide

Veillez prêter attention à ces symboles que vous rencontrerez dans ce manuel :



DANGER

Si vous ne suivez pas IMMEDIATEMENT ces instructions, vous courez le risque de mourir ou d'être sérieusement blessé.



AVERTISSEMENT

Ce symbole signifie que la sécurité est en danger. Il signale les risques potentiels qui peuvent entraîner la mort ou des blessures à l'opérateur ou aux autres.

Si vous ne suivez pas ces instructions à la lettre, vous courez le risque de mourir ou d'être sérieusement blessé.

BIEN LIRE CES INSTRUCTIONS ET LES CONSERVER.

À l'installateur :

Laissez ces instructions avec l'appareil.

Au client :

Gardez ces instructions comme référence future.



AVERTISSEMENT

Le respect minutieux des indications fournies dans ce manuel est indispensable pour éviter le risque de feu ou d'explosion susceptible d'endommager les biens et les produits et de provoquer des blessures, voire même la mort.

Ne pas stocker ou utiliser de l'essence ou d'autres liquides inflammables à proximité de cet appareil ou de tout autre appareil électroménager.



INSTRUCTION IMPORTANT

Veillez lire les instructions avant toute utilisation.



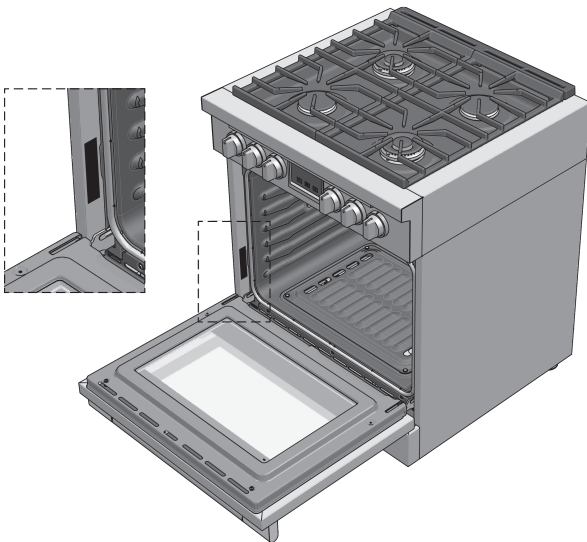
Il est de votre responsabilité d'installer l'appareil correctement. Confiez l'installation de cette cuisinières à un technicien qualifié.



AVERTISSEMENT

- Respecter les règlements et ordonnances en vigueur.
- Avant l'installation de la cuisinière, noter le modèle et les numéros de série. Les deux numéros se trouvent sur la plaque de données dans la position indiquée dans la figure ci-dessous.

POSITION DE LA PLAQUE SIGNALÉTIQUE



Standard National Américain, à la Réglementation Nationale Essence Gaz ANSI Z223.1 – NFPA 54 dernière édition** ou CAN/CGA-149.2 dernière édition***.

Vous pouvez demander une copie des standards répertoriés à:

** National Fire Protection Association One Batterymarch Park Quincy, Massachusetts 02269

*** CSA International 8501 East Pleasant Valley Rd. Cleveland, OH 44131 – 5575

NOTE: Cette cuisinières est fabriquée pour fonctionner au gaz naturel*.

Si elle doit être raccordée au gaz propane/PL, effectuez la conversion en suivant les instructions rapportées dans le kit de conversion gaz fourni avec les explications.

Une canalisation de fourniture de gaz correcte doit être disponible. Voir «Conditions requises fourniture gaz».



WARNING

Avant de raccorder le dispositif à la ligne d'amenée du gaz, vérifier que le type de gaz est réglé correctement. Le type de gaz programmé et envoyé de l'usine est indiqué sur la plaque signalétique.

Avant de Procéder à l'Installation

- Vérifiez l'endroit où la cuisinières sera installée. La table de cuisson ne doit pas se trouver dans une zone de courants d'air forts, par exemple de fenêtres ou de portes ni près de calorifères ou de ventilateurs.
- L'appareil doit nécessairement être relié à la terre. Voir «Conditions requises électricité».
- Veuillez vous assurer que l'installation électrique est adéquate et conforme à la Réglementation Électrique Nationale ANSI/NFPA 70 – dernière édition** ou à la Réglementation Électrique du Canada, C22.1 – 1982 et C22.2 N° 01982 (ou dernière édition)*** et à tous les règlements et ordonnances en vigueur localement.
- Assurez-vous que le raccordement de gaz est conforme aux règlements et ordonnances en vigueur localement. En l'absence de règlements locaux, l'installation doit être conforme au

Installation autocaravane

L'installation de cette table de cuisson doit être conforme aux Normes de Construction et de Sécurité des Habitations, titre 24 CFR, Partie 3280 (jadis la Norme Fédérale pour la Construction et la Sécurité des Autocaravanes; titre 24HUD partie 280); ou lorsque de telles normes ne sont pas applicables, la Norme pour les Installations des Habitations (Emplacements, Communautés et Structures Habitations), ANSI 225.1 - dernière édition ou aux réglementations locales.

Au Canada, l'installation de cette table de cuisson doit être conforme aux normes en vigueur CAN/CSA-Z240 - dernière édition ou aux réglementations locales.

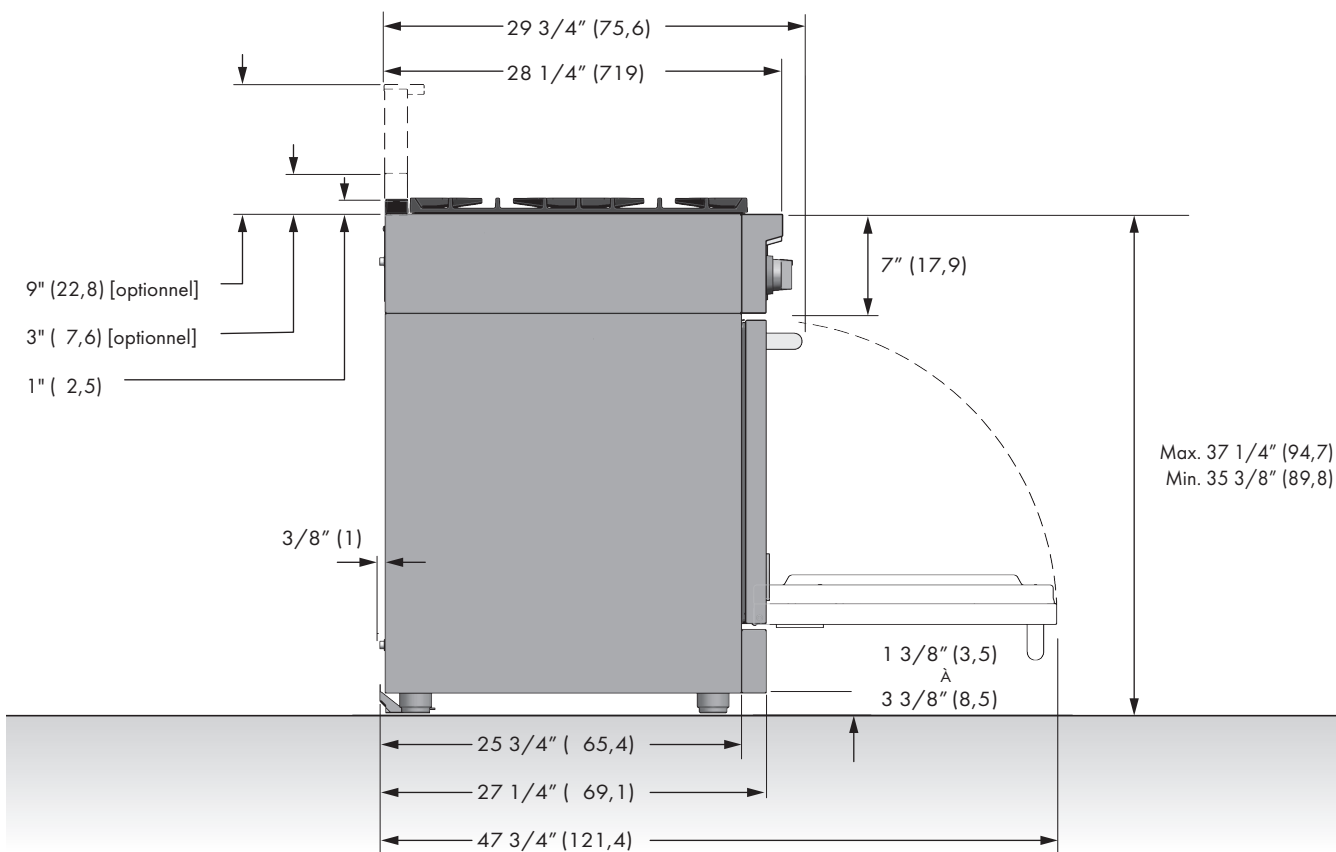
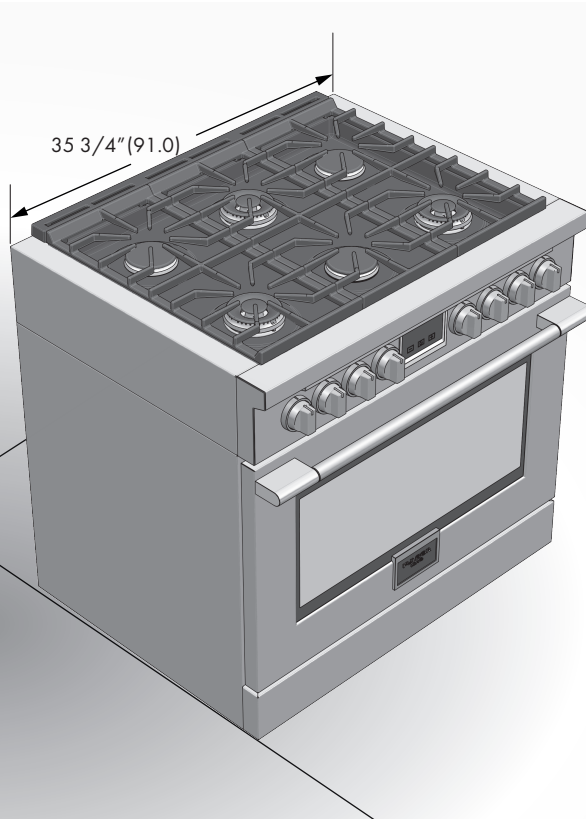
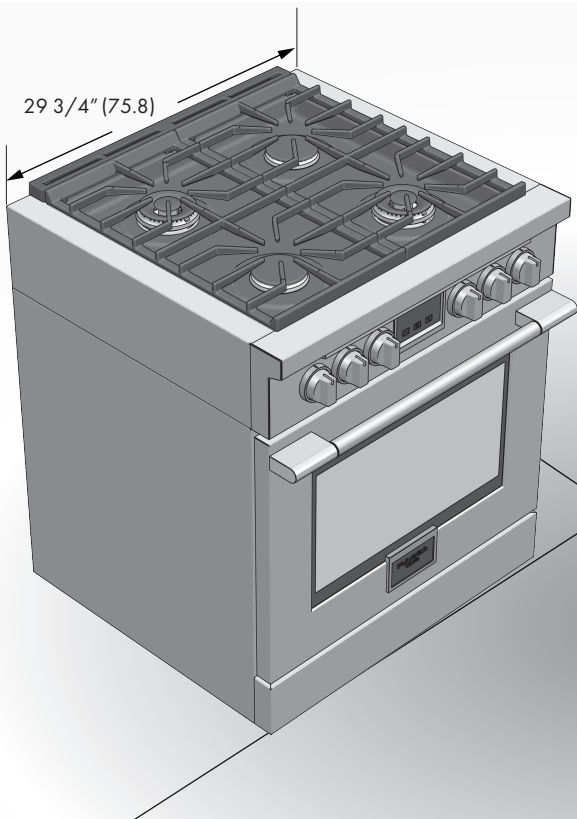
Micro-maisons préfabriquées

L'installation de ces dispositifs conçus pour micro-maisons préfabriquées doit se faire conformément aux réglementations nationales ou autres ou, à défaut, à la norme en matière de micro-maisons préfabriquées ANSI A119.5.

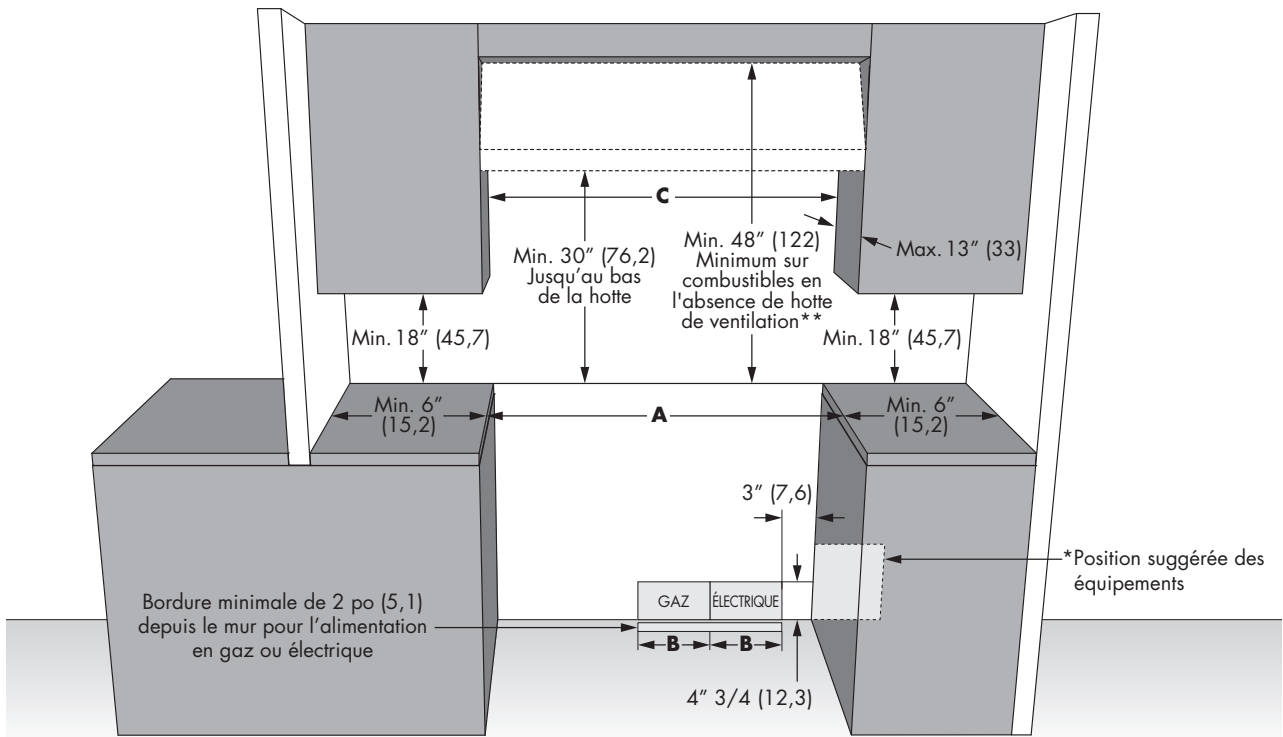
DIMENSIONS DU PRODUIT

Modèles de cuisinière 30"

Modèles de cuisinière 36"



Dispositions pour la découpe



** REMARQUE : Assurez-vous que votre installation est également conforme aux codes locaux et nationaux du bâtiment et de prévention contre les incendies.

Si la surface du mur arrière tout entier au-dessus de la cuisinière et au-dessous de la hotte n'est pas composée d'un matériau incombustible, la protection arrière accessoire de 9 pouces doit être utilisée.

* Consulter les réglementations locales pour les exigences exactes de localisation.

LARGEUR D'OUVERTURE	A & C	B
Cuisinière 30 po	30" (76.2)	6" (15.2)
Cuisinière 36 po	36" (91.4)	7" (17.8)

Sous la plaque de cuisson (36" [91.4 cm] et au-dessous)

- Installation à dégagement nul entre la construction combustible adjacente sous la surface de cuisson et les parties arrière et latérale de l'appareil.

ESPACE SUPPLÉMENTAIRES:

Pour une installation en îlot, maintenir une distance minimum de 6.3 cm (2 1/2 po) entre le bord et le dos du comptoir et 7.6 cm (3 po) minimum sur les côtés du comptoir (voir vue de dessus).

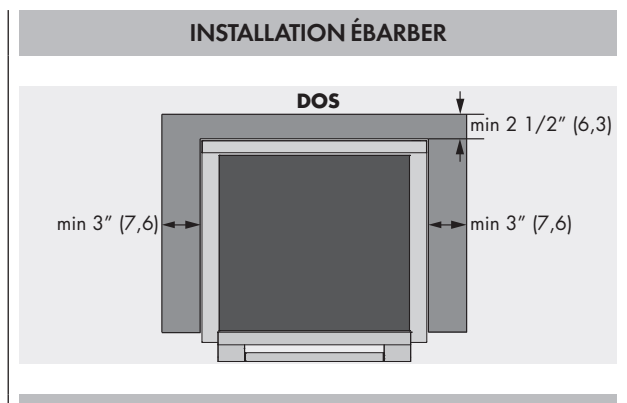
Pour une installation sur un îlot, un espace de minimum 12" (30,5 cm) est nécessaire de l'arrière ou des côtés de la cuisinière pour le brûleur.

L'installation de îlot ne fait pas partie de la norme ANSI Z21.1 portée et pas certifié.

Dégagements minimums d'une construction:

Au-dessus de la surface de cuisson [au-dessus de 36 po (91.4 cm)]

- Côtés - 6 po (15.2 cm)
- Avec un dégagement latéral de 6 po (15.2 cm) ou moins, les placards muraux ne mesurant pas plus de 13 po (33 cm) de profondeur doivent se trouver à 18 po (45,7 cm) minimum au-dessus de la surface de cuisson
- Les armoires murales juste au-dessus du produit doivent se trouver à 48 po (122 cm) minimum au-dessus de la surface de cuisson
- Arrière - 0 po avec dossier de 9 po ou étagère supérieure; 0 po avec paroi arrière non combustible.



Avant de déplacer la cuisinière, protégez tout plancher fini et fixez la (les) porte(s) du four en position fermée pour éviter tout dommage.

Disposition de hotte d'extraction:

Il est recommandé d'installer ces cuisinières en conjonction avec une hotte à évacuation appropriée en hauteur. En raison de la capacité thermique élevée de cet appareil, une attention particulière doit être prêtée à l'installation de la hotte et des conduits pour s'assurer qu'elle respecte les codes du bâtiment locaux.

Une hotte avec une zone de capture appropriée et capable d'au moins 450 cfm est suggérée pour évacuer efficacement les odeurs, la vapeur et la chaleur. Le choix d'installer une hotte de cfm inférieure ou configurée pour la recirculation peut compromettre l'élimination efficace des facteurs susmentionnés.

Remarque : certains codes de bâtiment locaux / nationaux exigent l'installation de systèmes d'air d'appoint pour les hottes au-dessus d'un certain seuil de cfm (300 cfm est typique).

Il est de votre responsabilité de comprendre et de respecter les exigences locales en matière de gaz, d'électricité et de ventilation où ces appareils sont installés.



AVERTISSEMENT

Les rideaux d'air ou les hottes de cuisinières qui projettent un courant d'air descendant vers la table de cuisson, ne doivent pas être utilisés avec des appareils à gaz, sauf si la hotte et l'appareil ont été conçus, testés et répertoriés par un laboratoire d'essai indépendant pour pouvoir fonctionner conjointement.

Il faut prévoir les dégagements ci-dessous par rapport aux surfaces horizontales qui se trouvent au-dessus de la cuisinière.

Le non-respect de cette consigne pourrait présenter un risque d'incendie.

- Pour les installations dépourvues de hotte, prévoyez un espace minimum de 48" (122) entre l'appareil et tout élément inflammable situé au-dessus de celui-ci.
- Il est possible d'installer une hotte spéciale à proximité d'éléments horizontaux inflammables dans la mesure où celle-ci dispose d'une fonction de mise en marche automatique.
- Pour obtenir les spécifications relatives aux espaces d'autres installations pourvues d'une hotte, veuillez vous reporter aux instructions fournies avec celle-ci



ATTENTION

Ces cuisinières pèsent plus de 180 kg. Afin d'éviter tout risque de blessure ou d'endommagement de l'appareil et compte tenu du poids et de la taille de la cuisinière:

DEUX PERSONNES SONT NÉCESSAIRES POUR UNE INSTALLATION ADÉQUATE DES CUISINIÈRES.

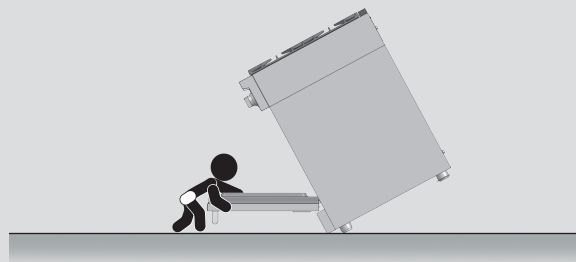
Instructions d'installation des supports anti-basculés



AVERTISSEMENT

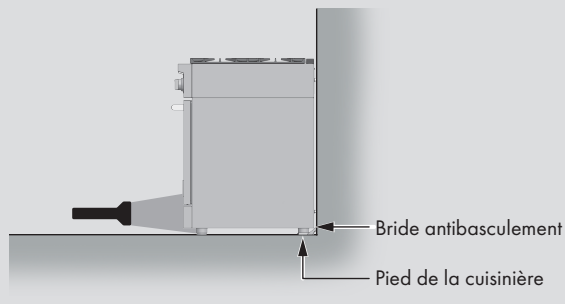
Risque de basculement

Un enfant ou une personne adulte peut faire basculer la cuisinière, ce qui peut causer un décès. S'assurer que le dispositif antibasculé est réengagé lorsque la plage est déplacée. Ne pas faire fonctionner la cuisinière si la bride antibasculé n'est pas installée et engagée. Le non-respect de ces instructions peut causer un décès ou des brûlures graves aux enfants et aux adultes.

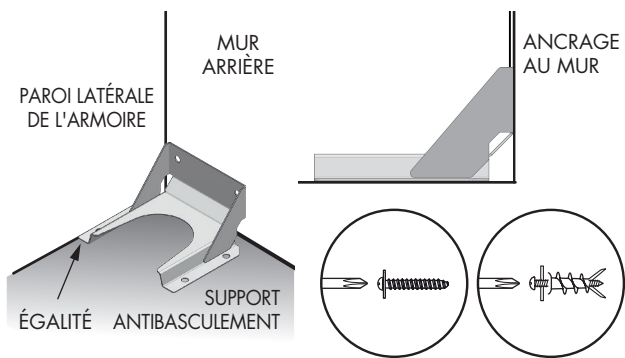


Pour vérifier que la bride antibasculé est bien installée et engagée :

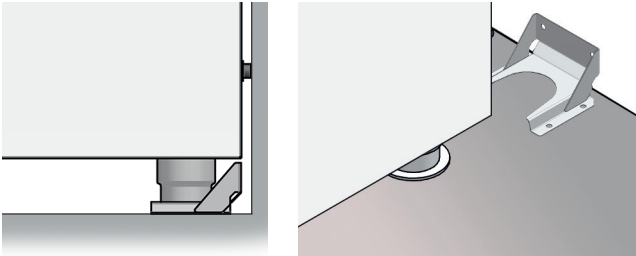
- Faire glisser la cuisinière vers l'avant.
- Vérifier que la bride antibasculé est bien fixée au plancher ou au mur.
- Faire de nouveau glisser la cuisinière vers l'arrière de sorte que le pied de la cuisinière se trouve sous la bride antibasculé.
- Voir les instructions d'installation pour plus de détails.



INSTALLATION DE LA BRIDE ANTI-BASCULEMENT



Pour les constructions en ciment ou béton:
 Vous devez utiliser les éléments de fixation appropriés (non fournis). Fixez le support sur le sol et/ou le mur à l'aide des 4 vis à bois (fournies).



Le support anti-basculement devrait être inséré dans l'ouverture de l'équerre antibasculement sur la cuisinière.



AVERTISSEMENT

- **Risque du fait du poids excessif**

Soyez à deux personnes ou plus pour porter et installer la cuisinière. Sinon, vous risquez de vous blesser au dos ou de subir d'autres blessures.

- **Risque de coupure**

Méfiez-vous des bords tranchants et des extrémités du polystyrène lorsque vous portez le produit. Sinon, vous risquez de vous couper ou de vous faire légèrement mal.

Ne pas boucher le flux d'air de combustion au niveau de l'ouverture de ventilation du four ni au-dessous du panneau frontal inférieur de la cuisinière. Éviter de toucher les ouvertures de ventilation ou les surfaces voisines car ces surfaces pourraient se réchauffer pendant que le four est en service. L'air frais est indispensable pour une bonne combustion au brûleur.

NE JAMAIS couvrir les fentes, les trous ou les passages du four, ni couvrir une grille de papier aluminium. Ceci obstrue le débit d'air dans le four et peut causer un empoisonnement au monoxyde de carbone. Les doublures en aluminium peuvent aussi causer un risque d'incendie

CHOIX DE LA POSITION DE LA CUISINIÈRE

Choisissez attentivement l'emplacement d'installation de la cuisinière.

La cuisinière doit être positionnée pour être utilisée dans la cuisine, mais loin des courants d'air.

Une porte ou une fenêtre ouvertes, l'air mis en mouvement par les ventilateurs de chauffage/climatisation peuvent causer des courants d'air forts.



NOTE IMPORTANTE

Si vous installez la cuisinière contre une surface combustible, veillez à prévoir un minimum de rehausse.

Respectez toutes les distances par rapport aux surfaces combustibles qui sont indiquées dans les pages précédentes

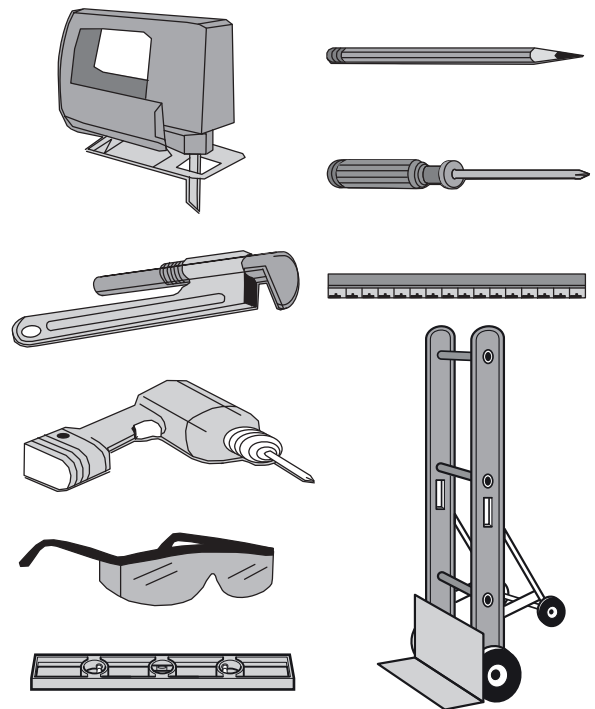
Avant de déplacer la cuisinière, protégez le sol et fixez la porte du four en position fermée afin de prévenir tout dommage.

Évitez absolument de soulever ou de porter la cuisinière en la tenant par la poignée de la porte.

Pour éliminer le risque de brûlure ou d'incendie à cause d'une surchauffe de la surface des unités, évitez de placer une armoire de rangement au-dessus de l'unité. Si vous avez une armoire au-dessus de la cuisinière, vous pouvez réduire le risque en installant à une certaine distance au-dessous de la partie inférieure de l'armoire un écran de protection qui projette horizontalement.

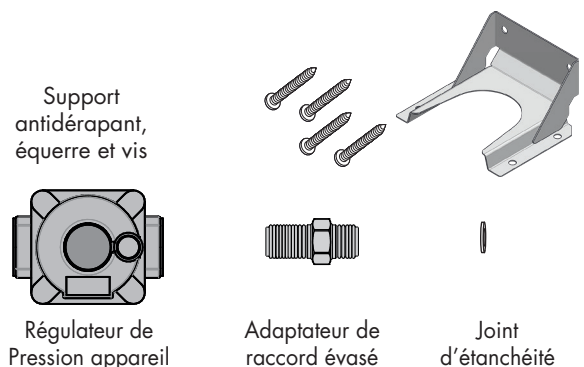
Toutes les ouvertures à travers le plancher ou le mur où la cuisinière sera installée doivent être scellées.

LES OUTILS DONT VOUS AUREZ BESOIN



Avant de commencer l'installation, enlevez les matériaux d'emballage et les manuels d'explication sur la table de cuisson; puis retirez du manuel d'explication, les instructions concernant l'installation et lisez-les avec attention.

MATÉRIEL FOURNI



Régulateur de Pression appareil

Adaptateur de raccord évasé

Joint d'étanchéité

MATÉRIEL FOURNI (non fourni)



Scellant à joint

Raccords de tuyau

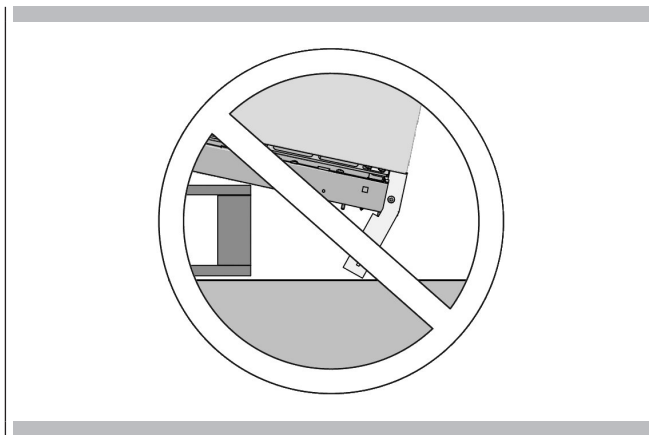
Clapet de fermeture



Tuyau métallique flexible d'alimentation de gaz agréé CSA de 1,58 cm de diamètre et d'une longueur maximale de 1,5 m (5 pieds) (Longueur maximum de 90 cm (3 pieds) dans le Massachusetts uniquement)

NOTE: procurez-vous un tuyau flexible neuf, n'utilisez pas un tuyau ayant déjà été utilisé.

Ne faites pas basculer la cuisinière sur le côté lors de l'installation des pieds. Les côtés ne sont pas conçus pour supporter le poids de la cuisinière et se plient. Tout dommage résultant d'un basculement ne sera pas couvert par la garantie. Suivez la méthode décrite dans le manuel d'installation fourni.



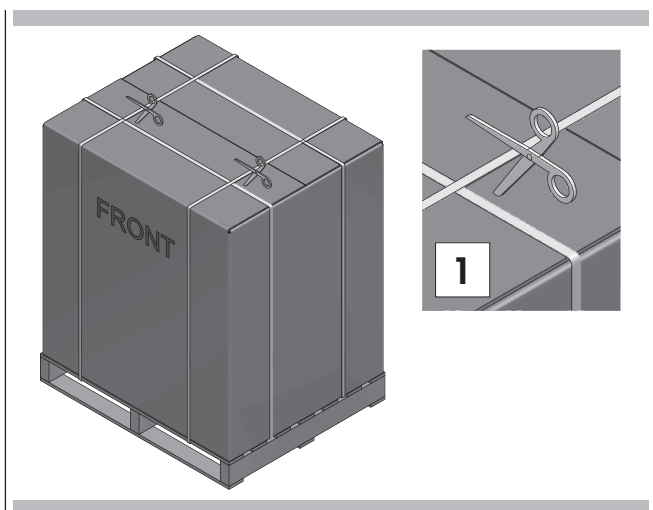
ÉTAPE 1

Coupez les rubans (1) et retirez les instructions d'installation du dessus de la cuisinière et lisez-les attentivement avant de commencer.



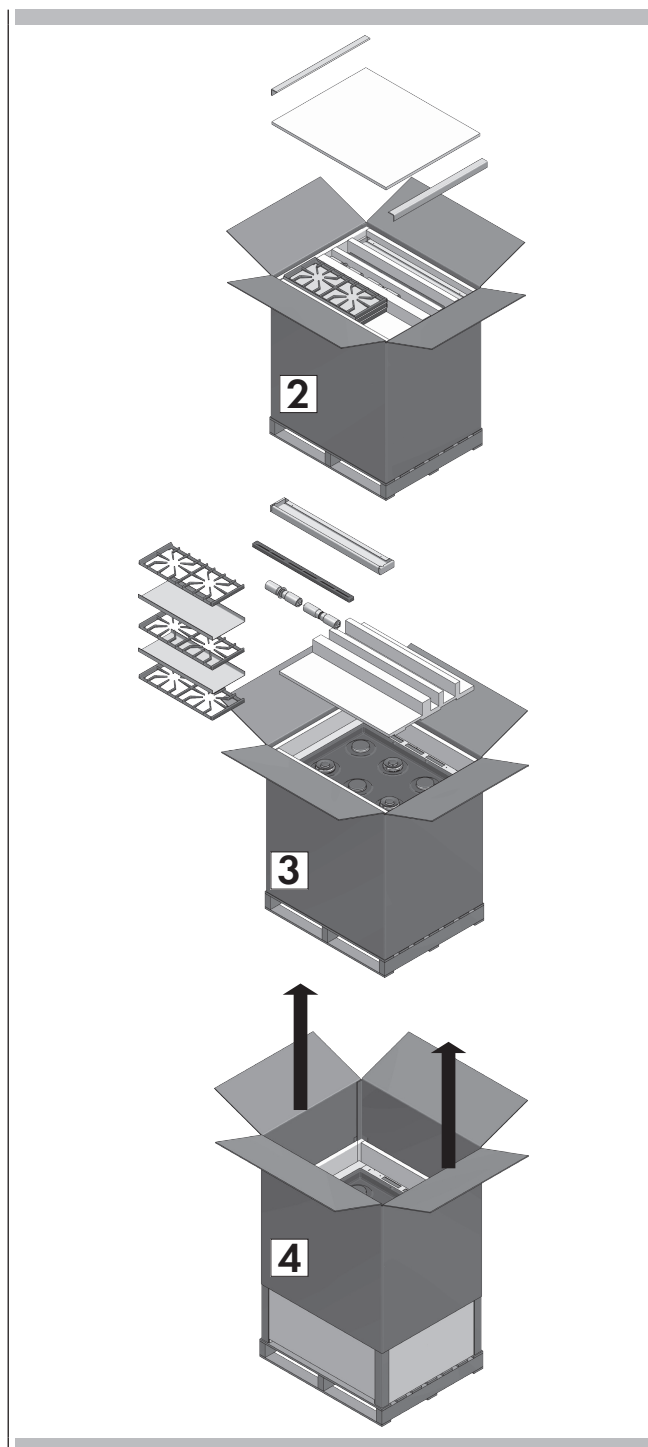
ATTENTION

Tenez-vous à distance. Les extrémités des bandes coupées pourraient se retourner contre vous.



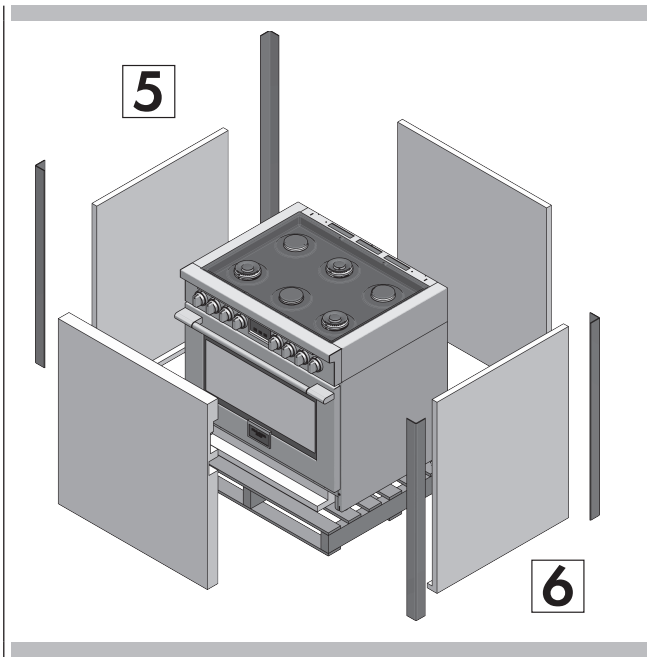
ÉTAPE 2

Ouvrez le dessus (2) et retirez les accessoires (3), puis soulevez le fourreau de carton (4).



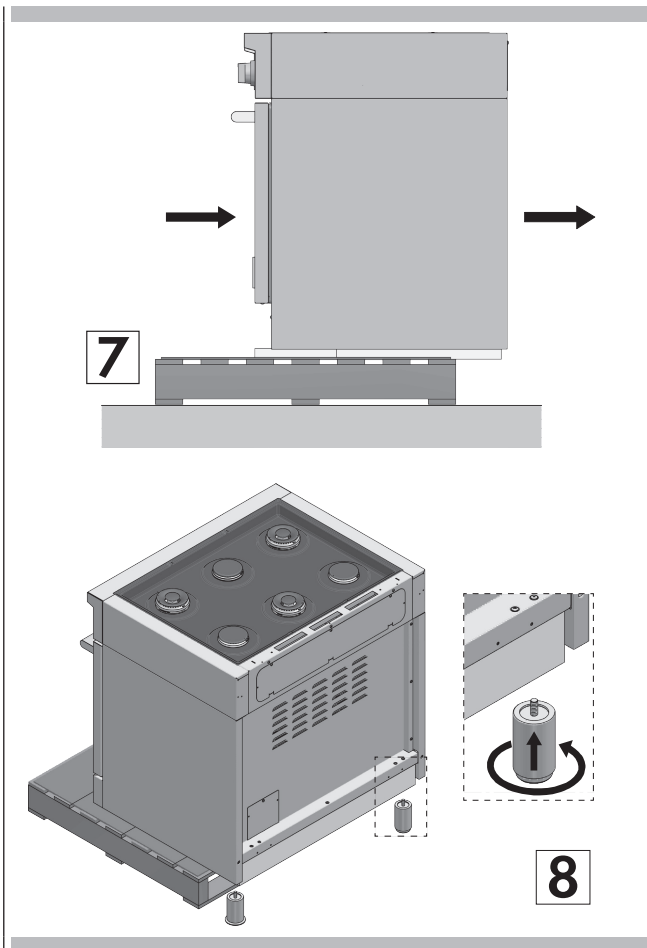
ÉTAPE 3

Prenez les instructions d'installation (5) présentes sur la cuisinière et lisez-les attentivement avant de commencer.



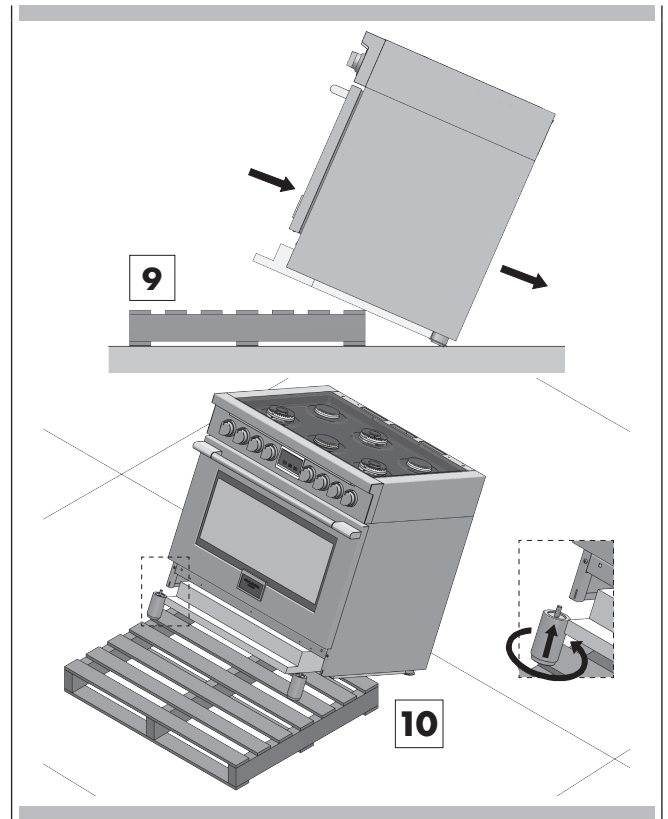
ÉTAPE 4

Faites glisser la cuisinière juste assez pour permettre aux pieds arrière de prendre appui.



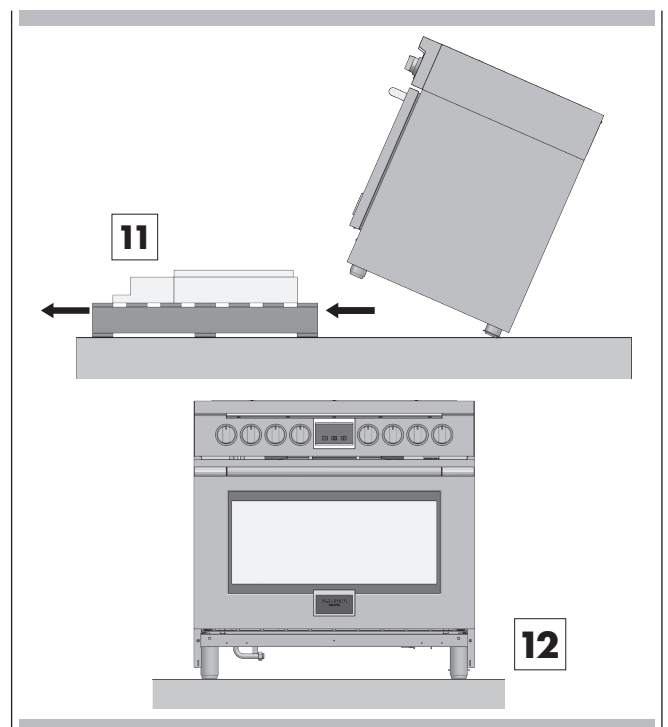
ÉTAPE 5

Faites glisser vers l'arrière un peu plus (9), en plaçant les pieds arrière sur le sol, puis montez les pieds avant (10) avec cette position inclinée supportés par les pieds arrière et le patin de protection.



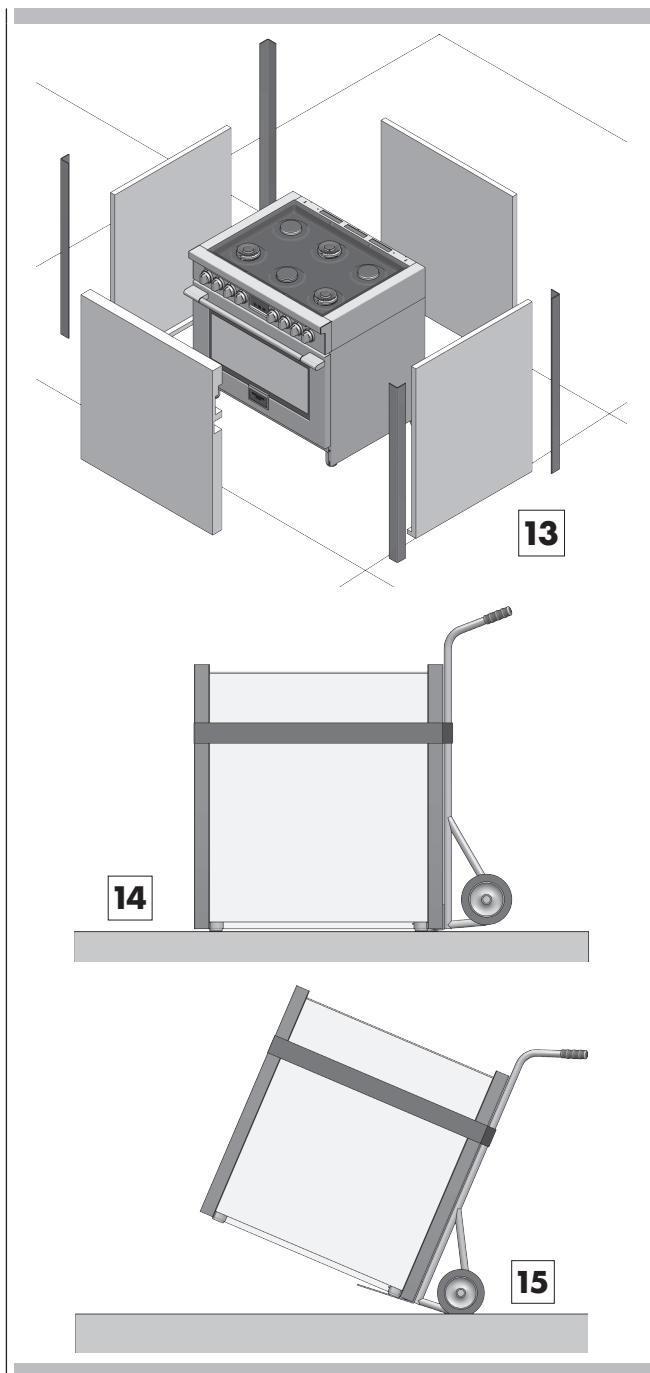
ÉTAPE 6

Retirez la base tout en soutenant l'avant de la cuisinière (11) et abaissez vers le sol d'une manière contrôlée (12).



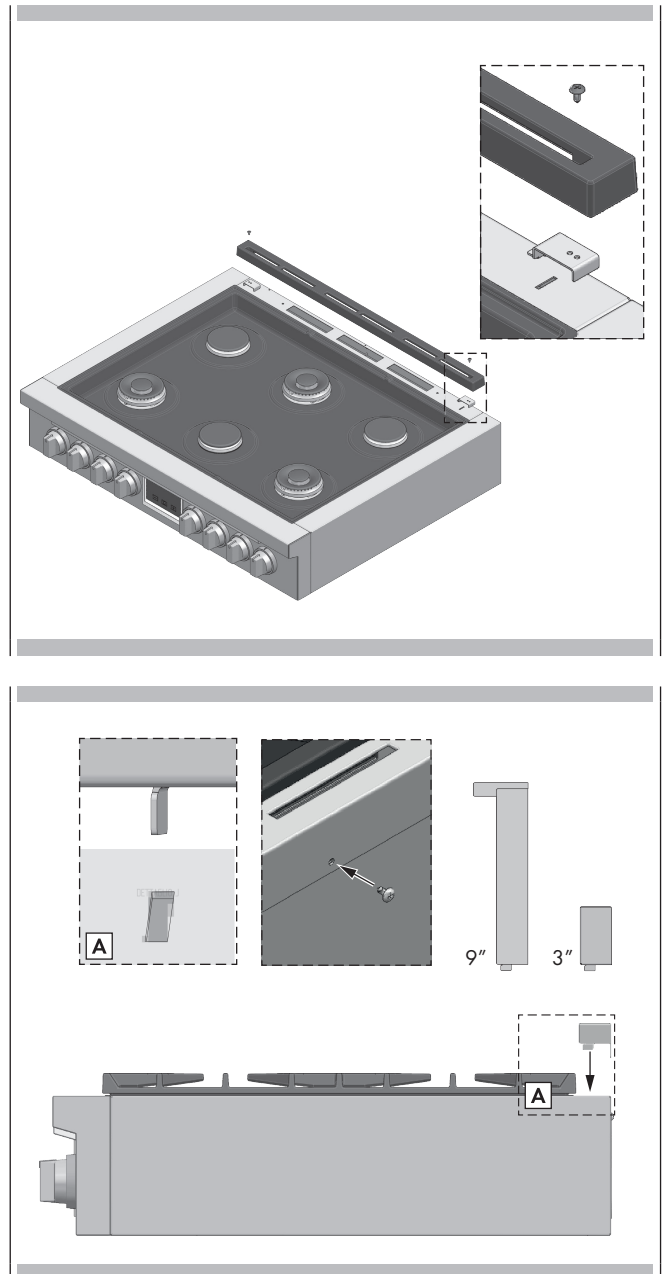
ÉTAPE 7

Dans ce cas, il est nécessaire de déplacer la cuisinière ; en utilisant l'emballage en mousse et/en carton (13), replacez-les autour de la cuisinière de façon stratégique pour protéger les surfaces finies de la cuisinière d'un contact avec le transpalette et tous les rubans autour de l'appareil (14). Dans le cas de cuisinières plus petites, vous pouvez utiliser cette technique pour décoller la cuisinière du patin et installer les pieds (15). Inclinez la cuisinière pour abaisser les roues du transpalette et décoller du patin anti-dérapant. Placez les patins de la machine sur le sol sur les côtés gauche et droit de l'ouverture lorsque vous placez l'appareil dans la position finale pour protéger le sol. Le(s) porte(s) du four ajoute(nt) au poids global de la cuisinière, vous pouvez trouver utile de retirer les portes lorsque vous déplacez la cuisinière sur une distance importante. Référez-vous aux manuels d'instruction pour savoir comment retirer et réinstaller les portes.



ÉTAPE 8

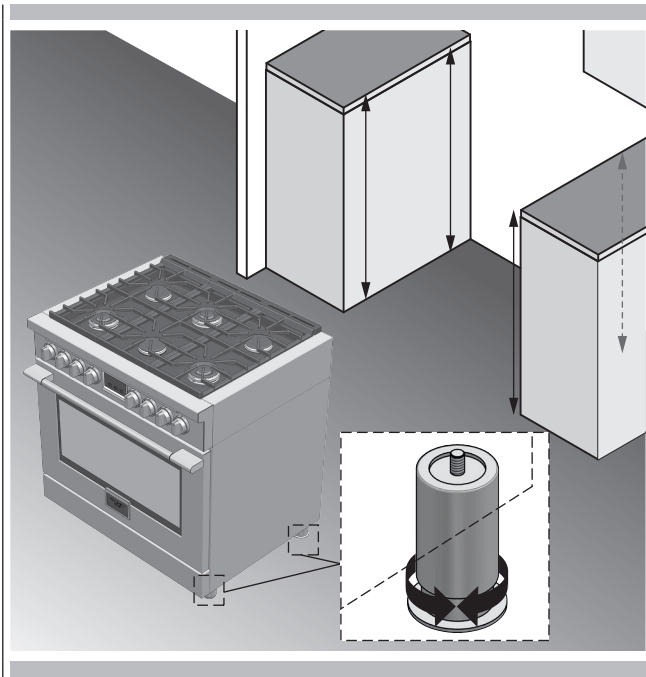
Installez la protection arrière (si fournie) à l'aide des trois vis à l'arrière. Dans certains cas, ce sera une protection arrière accessoire qui a été commandée séparément plutôt que celle qui était incluse avec la cuisinière. Référez-vous aux instructions incluses avec tout accessoire pour des exigences d'installation spécifique.



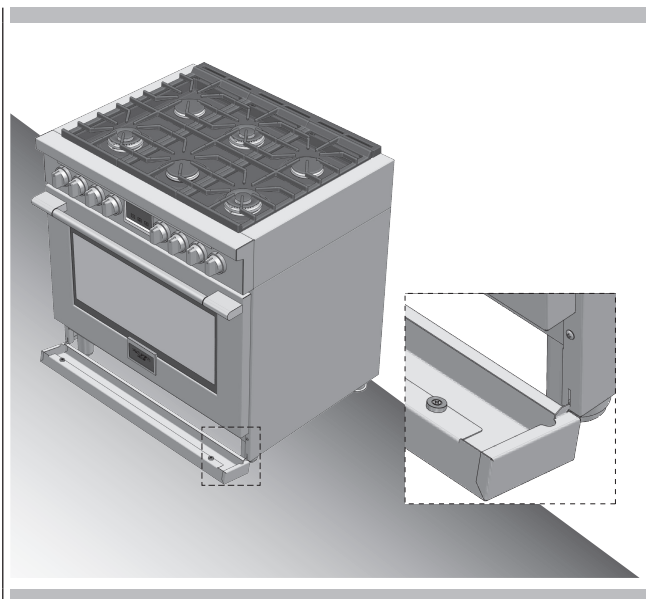
ÉTAPE 9

Après avoir terminé les branchements électriques et de gaz (voir les instructions incluses), mesurez les quatre coins dans la zone découpée pour vérifier si le sol est à niveau. Réglez les pieds de mise à niveau à la hauteur désirée et assurez-vous que la cuisinière est à l'horizontale. Tournez la section inférieure de chaque pied en sens anti-horaire pour élever le pied et dans le sens horaire pour l'abaisser.

Assurez-vous que le sol est protégé. Faites glisser l'appareil en place en vous assurant d'engager le support anti-inclinaison.

**ÉTAPE 10**

Accrochez les languettes en bas du coup de pied dans les emplacements sur les deux côtés du cadre et faites le pivoter jusqu'à ce que les aimants en haut du coup de pied établissent le contact et mettez-la en place de façon ferme.



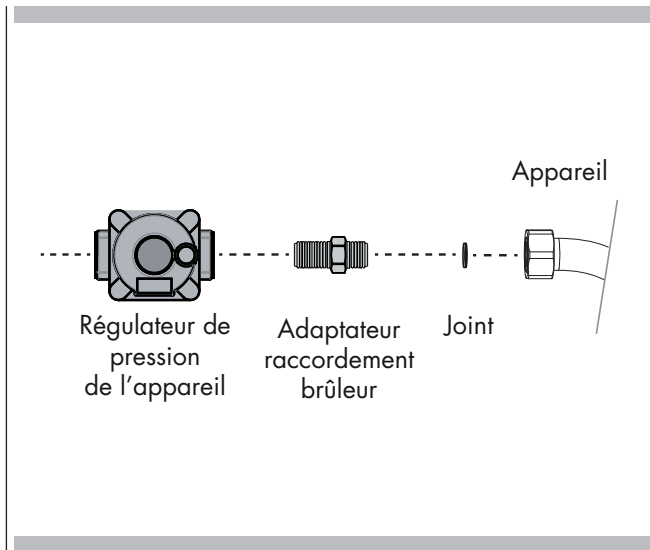
LE RACCORDEMENT À LA CONDUITE DE GAZ DOIT ÊTRE EFFECTUÉ PAR UN TECHNICIEN D'ENTRETIEN QUALIFIÉ OU UN INSTALLATEUR DE GAZ.

La vérification de fuites de l'appareil doit être effectuée par l'installateur selon les instructions données.

Vous devez installer les pièces de raccordement fournies indiquées ici au collecteur principal de gaz de l'appareil. Les problèmes résultant de la non application de ceci ne seront pas couverts par la garantie.

Ne pas installer le régulateur de pression en contre-courant car le gaz ne passera pas correctement. Vérifier que la flèche à l'arrière pointe en direction du flux de gaz.

Les pièces nécessaires pour le raccordement à l'alimentation en gaz sont de la responsabilité de l'installateur/du propriétaire



ATTENTION

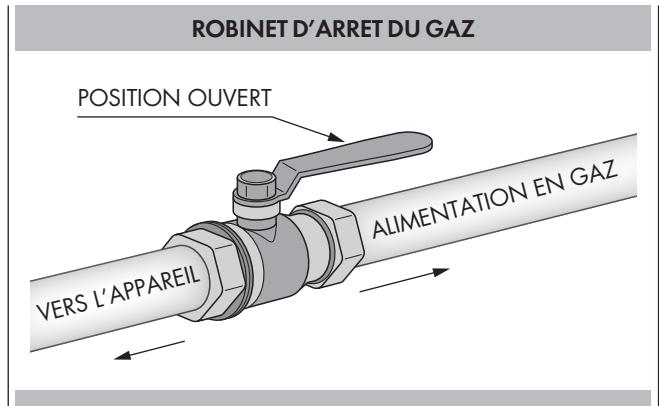
Utiliser du ruban Téflon adapté pour les applications avec gaz sur tous les raccords filetés.
Ne pas trop serrer le raccord au collecteur. Cela pourrait endommager le joint et causer des fuites.

AVERTISSEMENT

Si la conduite fournissant le régulateur de pression de l'appareil a une pression de plus de 14 pouces C.E. (pour n'importe quel gaz), il est nécessaire d'installer un régulateur externe sur la conduite de gaz, en avant du régulateur de l'appareil, afin de réduire la pression à 14 pouces C.E. ou moins. Si vous ne le faisiez pas, vous risqueriez des dysfonctionnements de l'appareil et des dommages.

Notes importantes pour le raccordement à la canalisation du gaz

L'appareil et son robinet individuel de fermeture du gaz doivent être débranchés des canalisations de gaz durant toute vérification de pression de ce système, à des pressions de test allant au-delà de 1/2 psi (3,5 kPa). Vous devez également isoler l'appareil des canalisations de gaz en fermant le robinet individuel de fermeture du gaz, lors de toute vérification de test égales ou inférieures à 1/2 psi (3,5 kPa).



Toutes les canalisations, sauf celles spécifiées diversement, doivent utiliser du Filetage Conduite National normal (N.P.T.). Pour tous les raccordements de conduite, utilisez un compound de joint de conduite homologué résistant à l'action du gaz PL.

Cet appareil est conçu pour être utilisé avec le régulateur de pression du gaz qui vous est fourni.

Il doit être installé sur la canalisation, en avant de l'entrée du tuyau de gaz. Il est pré-réglé pour fonctionner au gaz naturel et doit être converti, comme décrit en "Conversion Gaz", s'il doit fonctionner au gaz PL.

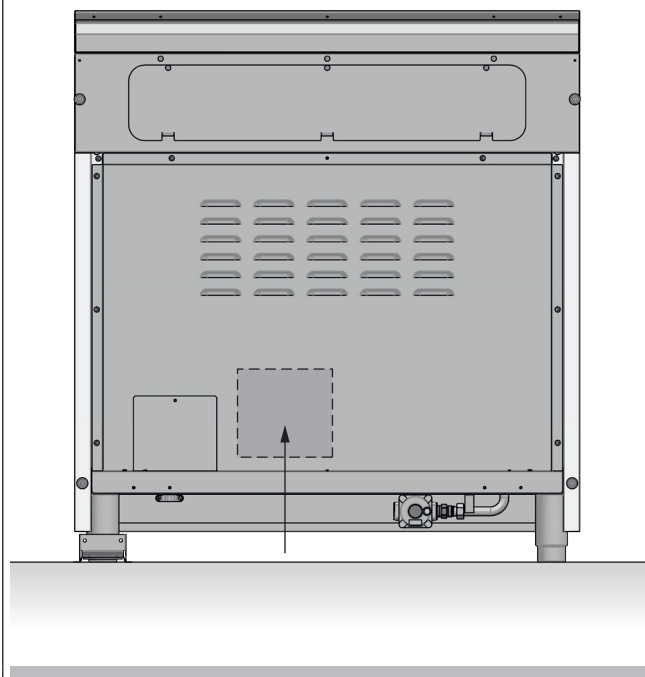
Cet appareil est conçu pour fonctionner à une pression de 5 pouces de colonne d'eau sur le gaz naturel ou s'il fonctionne au gaz PL (propane ou butane) à une pression de 10 pouces de colonne d'eau. Bien s'assurer que cet appareil est livré et équipé avec le type de gaz pour lequel il a été conçu. Cet appareil a été réglé en usine pour fonctionner au gaz naturel. Si pour une raison ou une autre, vous deviez utiliser un autre type de gaz, n'essayez pas de faire fonctionner la cuisinière avec le gaz différent mais appelez un technicien spécialisé qui effectuera tous les réglages de conversion décrits en "Conversion Gaz".

Le gaz naturel doit arriver au régulateur de pression de l'appareil à une pression de conduite entre 6 et 14 pouces de colonne d'eau ou si converti au gaz PL entre 11 et 14 pouces.

EXIGENCES D'ALIMENTATION EN GAZ		
GAZ NATUREL	CE (Colonne d'eau)	
Indicateur de Pressure	5 po	(12.5 mb)
Pression min. de la conduite	6 po	(15 mb)
Pression max. de ligne	14 po CE	(34.9 mb), 0.5 lb/po ² (3.5 kPa)

GAZ PL	CE (Colonne d'eau)	
Indicateur de Pressure	10 po	(25 mb)
Pression min. de la conduite	11 po	(27.4 mb)
Pression max. de ligne	14 po CE	(34.9 mb), 0.5 lb/po ² (3.5 kPa)

ENDROIT DE LA PLAQUE DE GAZ



IMPORTANT

NE JAMAIS RÉUTILISER DE VIEUX RACCORDS POUR INSTALLER CET APPAREIL.

Afin de limiter les fuites de gaz possibles, appliquez un ruban adhésif téflon ou un compound de filetage homologué pour l'emploi avec du gaz naturel ou du gaz PL sur tous les raccords filetés.

Appliquez un fluide non-corrosif de détection de fuite sur tous les joints et raccords de la conduite de gaz entre le robinet de fermeture du gaz et l'entrée de la table de cuisson. Vérifiez qu'il n'y a pas de fuites! Des bulles qui se forment autour des joints et des raccords indiquent la présence d'une fuite. Dans ce cas, fermez le robinet de fermeture du gaz, serrez les raccords, ouvrez à nouveau le robinet de fermeture et vérifiez s'il y a encore des fuites. Ne jamais vérifier s'il y a des fuites avec une flamme directe.

NE JAMAIS SERRER À PLUS DE 35 ft lbs (pieds livre) DE TORSION.



CAUTION

N'essayez pas de raccorder le connecteur flexible directement à un tuyau fileté extérieur.

Il est nécessaire d'utiliser des adaptateurs évasés.

Pour Massachusetts Installations :

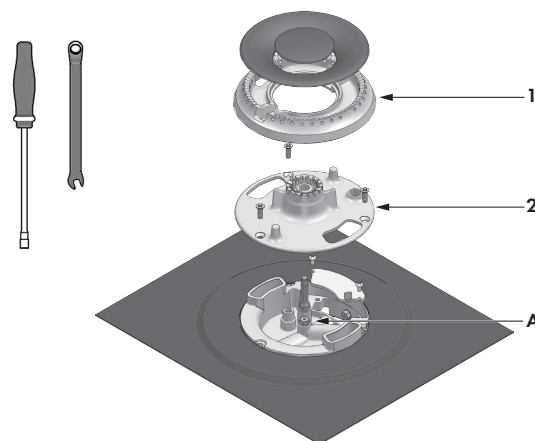
1. La vanne de fermeture doit être un robinet à gaz à poignée en T.
2. Le connecteur gaz flexible ne doit pas avoir plus de 36 pouces de long.
3. L'installation dans une chambre ou une salle de bains n'est pas permise si l'unité n'est pas à évent direct.

Vérification de la Pression

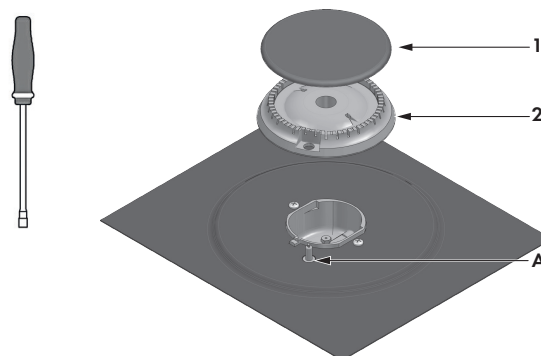
Vous devez isoler l'appareil des canalisations de gaz en fermant le robinet individuel de fermeture du gaz lors de tout test de pression du système de canalisation de gaz à des pressions de test égales ou inférieures à ½ psig (3.5kPa). Cet appareil et son robinet individuel de fermeture du gaz doivent être débranchés des canalisations de gaz durant tout test de pression de ce système à des pressions de test allant au-delà de ½ psig (3.5kPa). Lorsque vous vérifiez la fonction du régulateur de l'appareil, bien vous assurer que le gaz naturel est fourni à une pression entre 6 et 14 pouces de colonne d'eau et si converti au gaz PL entre 11 et 14 pouces.

LE TEST DE PRESSON SOIT ETRE EFFECTUE EN EMPLOYANT LA ZONE DE FILETAGE DE L'INJECTEUR

VUE EXPLOSÉE BRÛLEUR DOUBLE



VUE EXPLOSÉE BRÛLEUR SIMPLE



Méthode de Test de Pression

- Enlevez la grille et le chapeau du brûleur (1).
- Enlevez le diffuseur aluminium de gaz (2).
- Enlevez les injecteurs temporaires (A).
- Connectez l'instrument de test sur la zone de filetage du porte-injecteur (M6x0.75).
- Vérifiez si la table de cuisson a une pression correcte.
- Fixez l'injecteur enlevé pour le test et remplacez les pièces dans leur bonne position.

Raccordement du Gaz

- Taraudez le régulateur de pression de l'appareil à l'aide des deux extrémités mâles de 1/2" en dotation avec cet appareil.
- Assemblez le régulateur de pression aux filetages d'entrée du tuyau de gaz avec le joint en dotation. Sur le régulateur, vous pouvez voir une flèche indiquant le bon sens de circulation du gaz. Assurez vous que le régulateur de l'appareil est bien installé avec la flèche pointée vers l'entrée du tuyau de gaz;
- Raccordez au tuyau de gaz, un robinet de fermeture qui soit facile d'accès pour ouvrir ou fermer l'arrivée de gaz à l'appareil.
- Installez un emmanchement entre le régulateur et le robinet de fermeture pour compléter le raccordement.
- Bien vérifier que tous les joints de raccordement sur la conduite de gaz sont étanches.
- Une fois le raccordement à la table de cuisson effectué, bien vérifier l'alignement des soupapes pour être sûr que le tuyau n'a pas bougé.

AUTRES POSSIBILITÉS DE RACCORDEMENT DE L'APPAREIL À UNE CONDUITE DE GAZ UN TECHNICIEN D'ENTRETIEN QUALIFIÉ OU UN INSTALLATEUR FOURNISSEUR DE GAZ DOIVENT EFFECTUER LE RACCORDEMENT DU GAZ. La recherche de fuites possibles sur l'appareil doit être réalisée par l'installateur selon les instructions données.

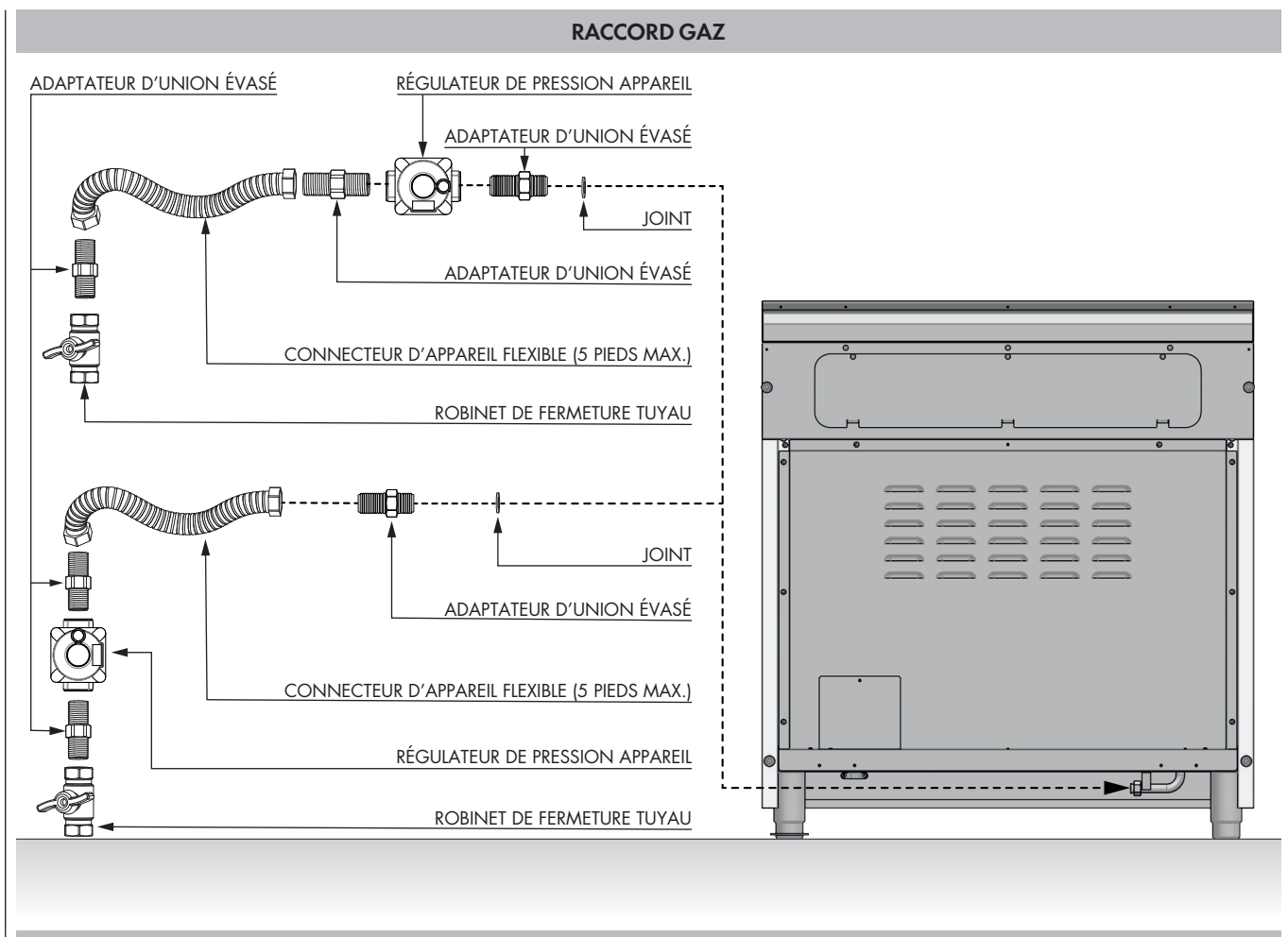
Vous pouvez utiliser un connecteur d'appareil en métal flexible récemment certifié A.G.A pour raccorder cet appareil à la conduite de gaz. Le connecteur doit avoir un diamètre interne d'au moins 1/2 NPT nominal et n'être pas plus long que 5 pieds. Il faut un adaptateur raccord évasé de 1/2" NPT x 1/2" à chaque extrémité du connecteur flexible. Si vous utilisez un connecteur flexible, veillez à ce que le régulateur de pression de l'appareil ainsi que le robinet de fermeture soient solidement raccordés à une autre conduite rigide permanente (la conduite de gaz ou le tuyau de l'appareil) de façon à être physiquement fixe.

**ATTENTION**

N'essayez pas d'attacher directement le connecteur flexible à un filetage de tuyau externe. Le branchement requiert des adaptateurs de raccord évasés

Pour des installations Massachusetts:

1. Le robinet de fermeture doit être un robinet de gaz à «T»
2. La longueur du connecteur de gaz flexible ne doit pas dépasser 36 pouces
- 3 N'est pas approuvé pour être installé dans des chambres ou une salle de bain sauf si la pièce est ventilée directement.



Conversion de l'Appareil pour Fonctionner au Gaz PL

AVERTISSEMENT

La conversion au gaz propane doit être effectuée par UN TECHNICIEN D'ENTRETIEN AUTORISÉ (ou un autre centre autorisé) selon les instructions du fabricant et les normes et réglementations des autorités de juridiction. Le non-respect de ces instructions peut entraîner des blessures graves ou des dommages à la propriété. Le centre autorisé ayant effectué la conversion s'en assume la responsabilité.

ATTENTION

Avant de procéder à la conversion, couper l'alimentation en gaz de l'appareil avant de couper l'alimentation.

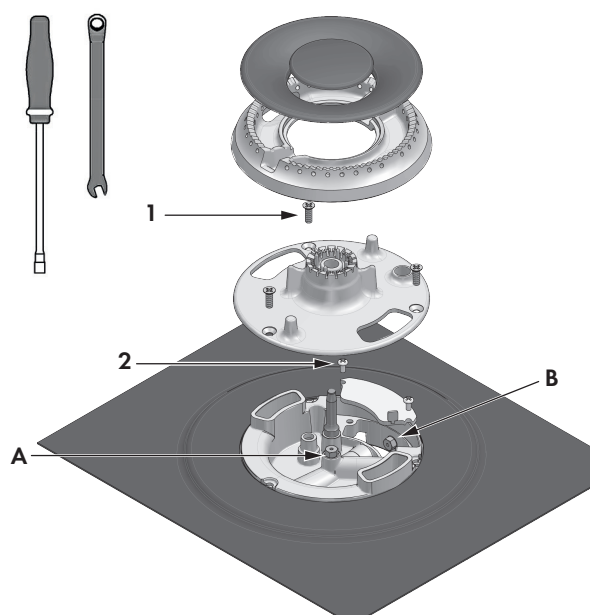
Cet appareil a été prédisposé en usine pour fonctionner au gaz naturel. Pour le convertir au gaz PL (propane ou butane), vous devez effectuer chacune des modifications suivantes:

Étiquette de conversion de gaz (aluminium) à placer à l'arrière de l'appareil, en proximité de la plaque signalétique, à conversion effectuée;

Remplacez un injecteur (brûleur avec deux anneaux de flamme)

1. Enlevez les grilles et les bagues de brûleur.
2. Enlevez le diffuseur de gaz en aluminium.
3. Enlevez les trois vis du diffuseur de gaz pour cuisson douce (1).
4. Enlevez les deux vis du couvercle de l'injecteur (2).
5. Desserrez l'injecteur (A) en tournant la clé à douille de 9-32" (7 mm) dans le sens inverse des aiguilles d'une montre.
6. Desserrez l'injecteur (B) en tournant la clé polygonale de 9-32" (7 mm) dans le sens inverse des aiguilles d'une montre.
7. Installez les injecteurs fournis avec les appareils sur le brûleur approprié. Les injecteurs ont un petit numéro gravé sur le côté, ces chiffres codent le diamètre de l'orifice et l'emplacement correct du brûleur (consulter les illustrations à la section "Position des injecteurs").
8. Tournez dans le sens des aiguilles d'une montre pour serrer (couple de serrage 15 à 20 inch-lbs).
9. Remplacez les pièces suivantes dans l'ordre inverse.
10. Gardez les injecteurs enlevés des appareils pour un usage postérieur.

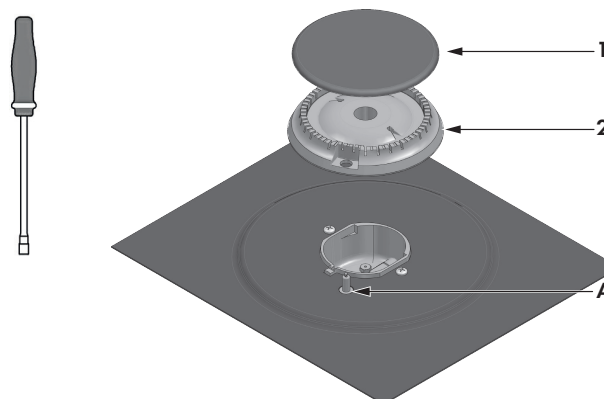
VUE EXPLOSÉE DU BRÛLEUR



Remplacez un injecteur (une couronne de flamme ou brûleurs)

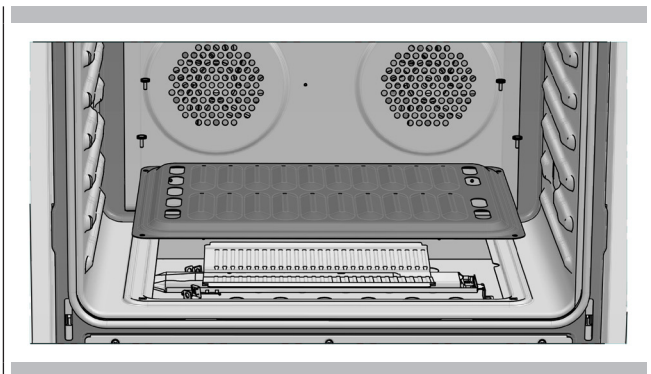
1. Enlevez les grilles et les bagues de brûleur.
2. Enlevez le diffuseur de gaz en aluminium.
3. Desserrez l'injecteur en tournant le tournevis à douille de 9-32" (7 mm) dans le sens inverse des aiguilles d'une montre.
4. Installez les injecteurs fournis avec les appareils sur le brûleur approprié. Les injecteurs ont un petit numéro gravé sur le côté, ces chiffres codent le diamètre de l'orifice et l'emplacement correct du brûleur (voir 19).
5. Tournez dans le sens des aiguilles d'une montre pour serrer (couple de serrage 15 à 20 inch-lbs).
6. Remplacez toutes les pièces en suivant l'ordre inverse.
7. Gardez les injecteurs enlevés des appareils pour un usage postérieur.

EXPLODED VIEW SINGLE BURNER

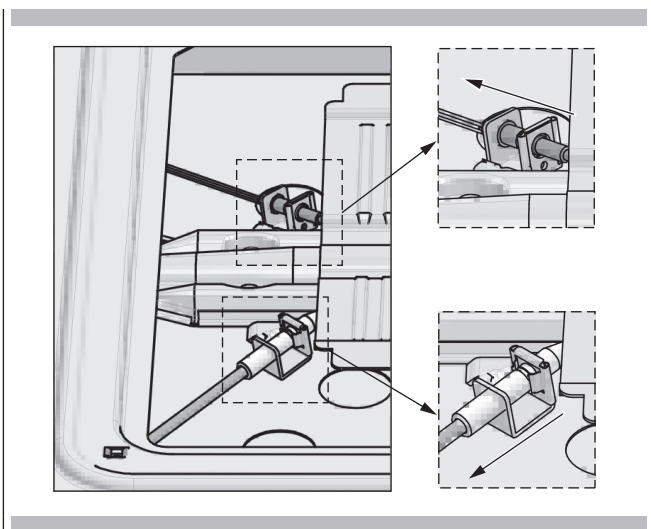


Remplacement injecteur (brûleur inférieur four)

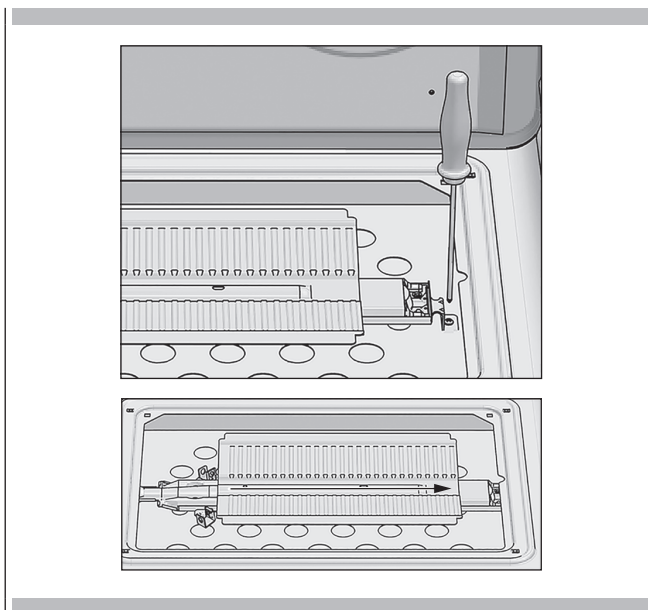
1. Enlever la plaque de couverture du brûleur.



2. Déconnecter le capteur de chaleur et la bougie d'allumage.



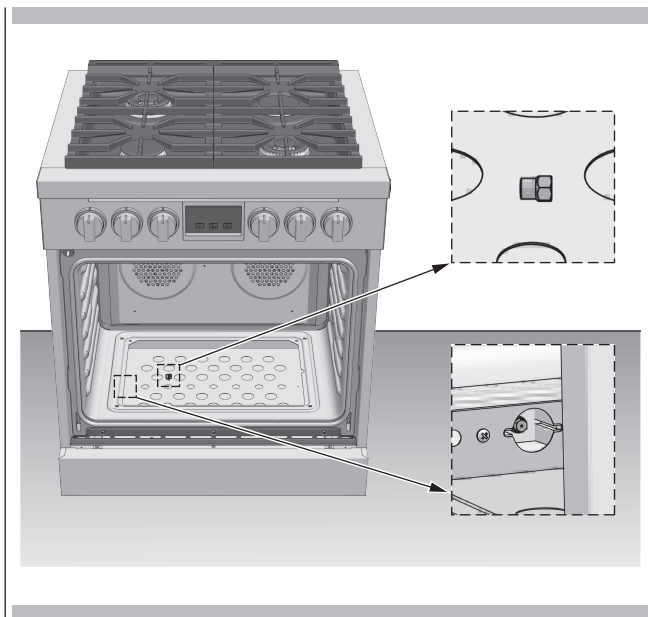
3. Enlever la vis fixant le brûleur du four et retirer le brûleur du support.



4. Enlever le gicleur à l'aide d'un tourne-écrou 9-32" (7 mm) tourné dans le sens antihoraire.

5. Installer les injecteurs fournis avec des appareils dans le brûleur correspondant. Sur les injecteurs, on trouve un numéro imprimé en petit sur le côté ; ce numéro correspond au diamètre de l'orifice et à la position correcte sur le brûleur (voir figure « Position injecteurs»).

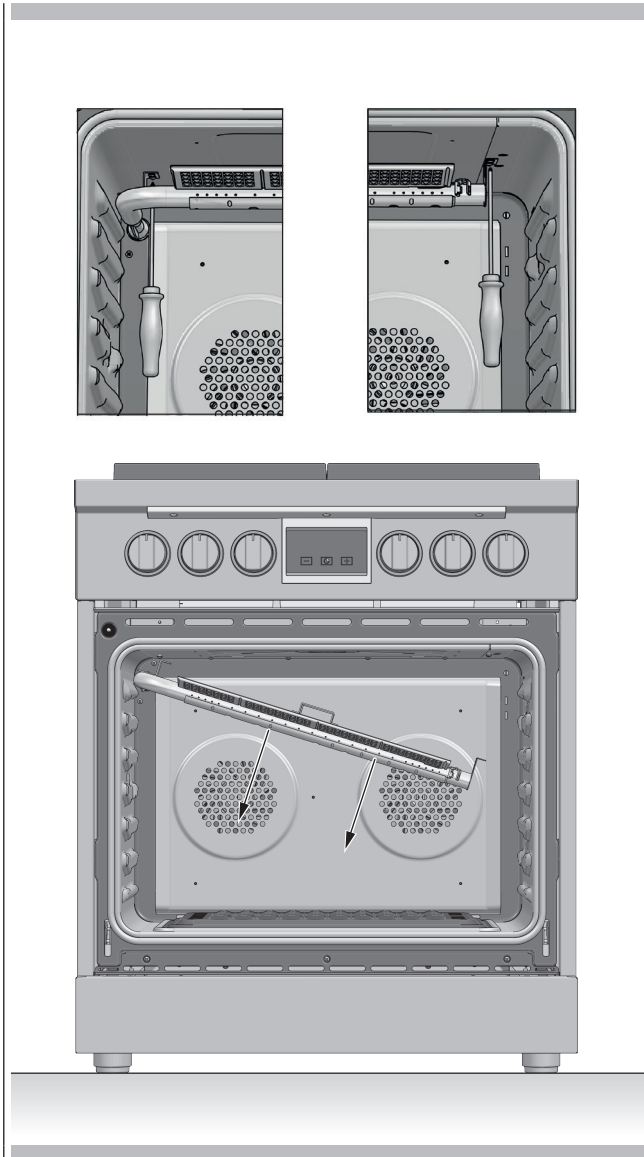
6. Tourner dans le sens horaire pour serrer (serrer à 15-20 inch-lbs)



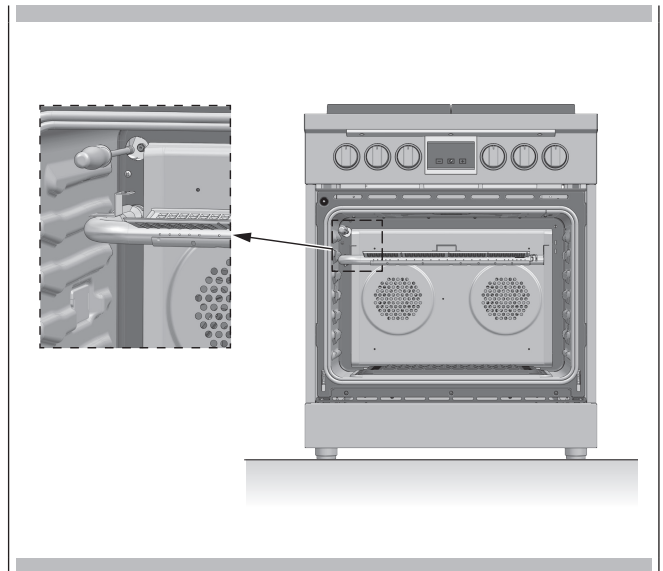
7. Remettre en place tous les éléments en procédant dans l'ordre inverse. Mettre de côté les injecteurs démontés des appareils pour toute

utilisation future éventuelle. Remplacement injecteur (brûleur grill du four)

1. Enlever la porte en procédant de la façon décrite au paragraphe «Démontage porte».
2. Enlever les vis fixant le brûleur du grill et retirer le brûleur du support.



3. Enlever le gicleur à l'aide d'un tourne-écrou 9-32" (7 mm) tourné dans le sens antihoraire.



4. Installer les injecteurs fournis avec des appareils dans le brûleur correspondant. Sur les injecteurs, on trouve un numéro imprimé en petit sur le côté ; ce numéro correspond au diamètre de l'orifice et à la position correcte sur le brûleur (voir figure « Position injecteurs»).
5. Tourner dans le sens horaire pour serrer (serrer à 15-20 inch-lbs)
6. Remettre en place tous les éléments en procédant dans l'ordre inverse et en veillant à positionner correctement le brûleur.
7. Mettre de côté les injecteurs démontés des appareils pour toute utilisation future éventuelle. **Procéder à la conversion du régulateur de pression en prenant note de la position LP/Propane pour achever la conversion.** Après le remplacement des injecteurs, réglez la flamme des brûleurs (voir "Réglage de la flamme basse"). Vérifiez l'apparence de chaque flamme des brûleurs sur les réglages HI-LO, si la flamme semble trop grande ou trop petite, vérifiez si les étapes ont bien été suivies correctement.

Conversion des Appareils pour Une Utilisation avec Gaz Naturel

Si les appareils devaient être convertis pour une utilisation avec le gaz naturel, il faut effectuer chacune des modifications suivantes.

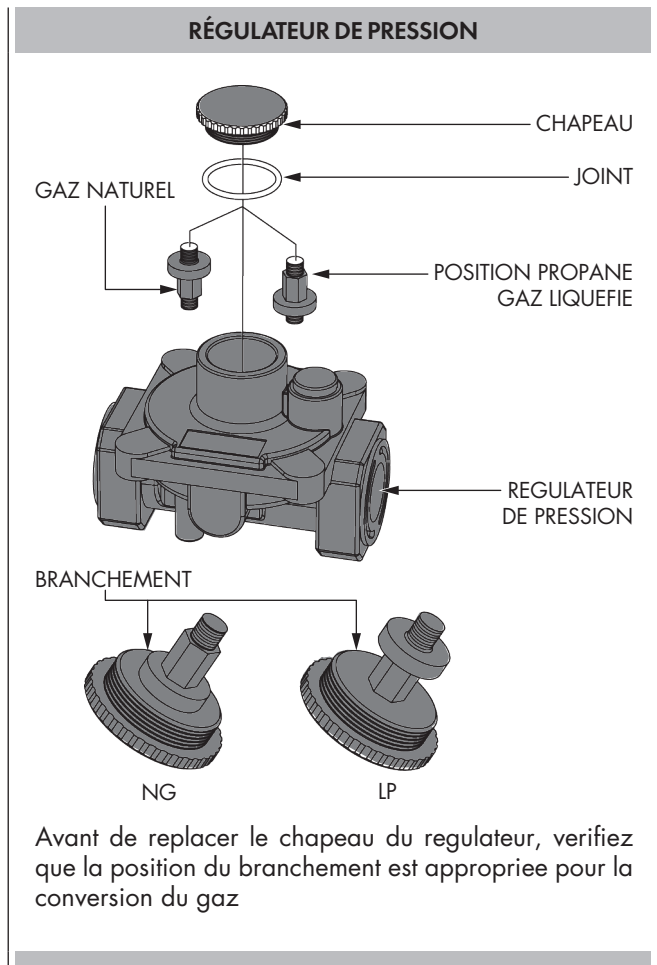
1. Commuter le régulateur de pression à la position NG conformément aux indications de la section "Conversion du régulateur de pression".
2. Remplacez tous les injecteurs suivant l'étape décrite dans les pages précédentes, observez le chiffre gravé sur le côté, ce chiffre code le diamètre de l'orifice et l'emplacement correct du brûleur (consulter les illustrations à la section "Position des injecteurs").
3. Ajustez la flamme du brûleur (voir "Réglage de la flamme"). Vérifiez l'apparence de chaque flamme de brûleur sur les réglages HI-LO, si la flamme semble trop grande ou trop petite, vérifiez que les étapes ont bien été suivies correctement.

Conversion du régulateur de pression

Le dispositif est conçu pour être utilisé avec du gaz NG ou LP. Le régulateur de pression de gaz est fourni. Il doit être installé sur la ligne d'amenée de gaz devant l'entrée du collecteur. Il est pré-réglé pour être utilisé avec le gaz indiqué sur l'étiquette du dispositif fourni avec l'appareil. Pour l'utilisation avec un gaz différent, il est nécessaire de convertir le dispositif.

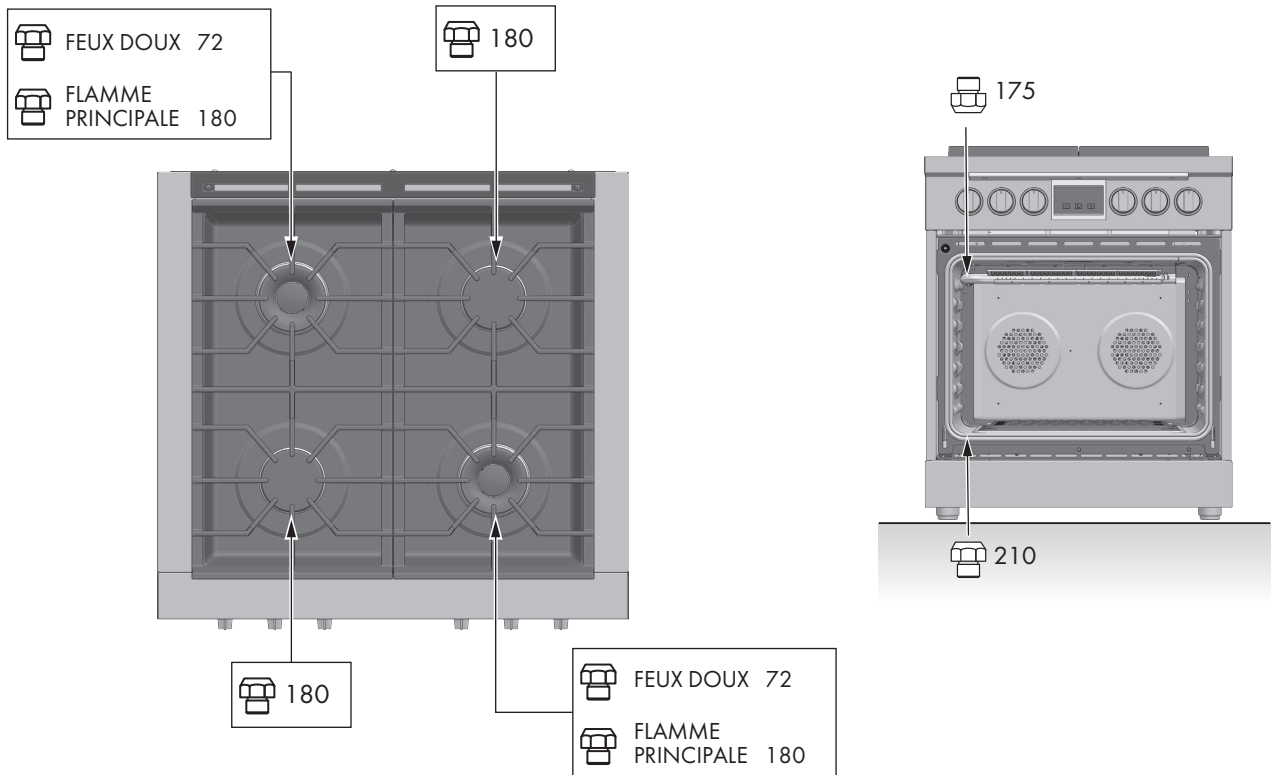
Pour la conversion du régulateur de pression, suivez les instructions ci-dessous:

- Déconnectez tous les branchements électriques, au disjoncteur principal ou à la boîte de fusible.
- Fermez l'alimentation de gaz à la table de cuisson en fermant manuellement le robinet de retenue.
- Ajustez le régulateur de pression, en suivant les instructions (voir figure)
 1. Dévissez le couvercle du régulateur.
 2. Dévissez la fiche d'alimentation de conversion en plastique du chapeau tournez et revissez (grande section retirée du chapeau pour gaz liquéfié et contre le chapeau pour le gaz naturel) (voir figure).
 3. Remplacer le bouchon du régulateur en veillant à ce que le joint soit en place.

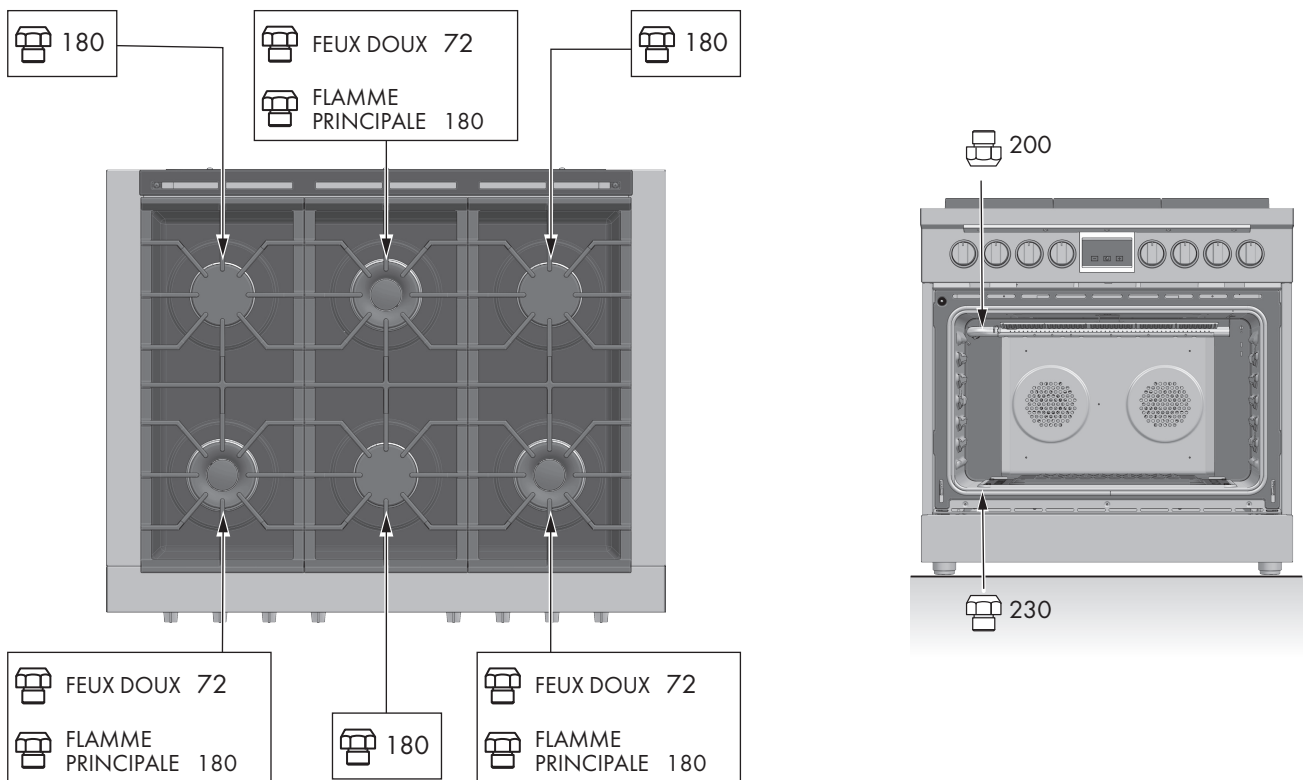


POSITION DES INJECTEURS

NG-BRÛLEURS AVEC DOUBLE ANNEAU DE FLAMME 30"




NG-BRÛLEURS AVEC DOUBLE ANNEAU DE FLAMME 36"




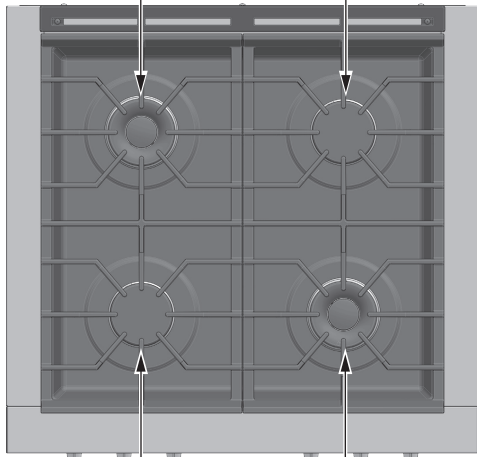
* dépend du modèle

POSITION DES INJECTEURS

LP- BRÛLEURS AVEC DOUBLE ANNEAU DE FLAMME 30"

 FEUX DOUX 50
 FLAMME PRINCIPALE 105

 105



 105

 FEUX DOUX 50
 FLAMME PRINCIPALE 105



 110



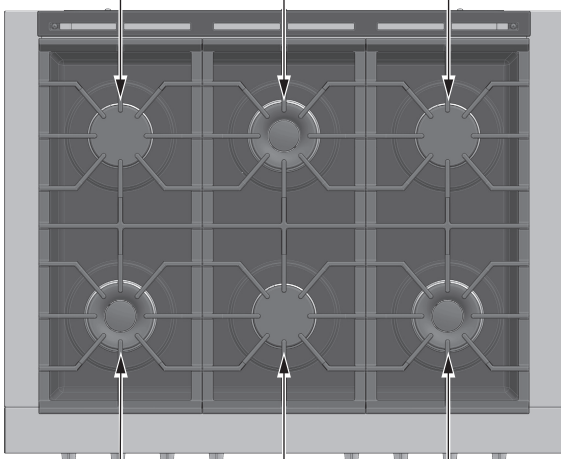
 125



LP- BRÛLEURS AVEC DOUBLE ANNEAU DE FLAMME 36"

 105



 FEUX DOUX 50
 FLAMME PRINCIPALE 105

 105

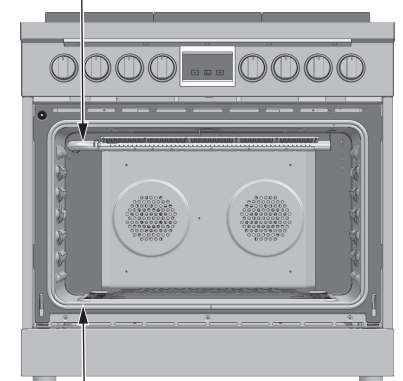


 FEUX DOUX 50
 FLAMME PRINCIPALE 105

 105

 FEUX DOUX 50
 FLAMME PRINCIPALE 105

 120



 140

Réglage Petite Flamme

AVERTISSEMENT

Allumer des brûleurs à gaz avec une allumette est dangereux. Vous ne devriez allumer un brûleur avec une allumette que dans un cas urgent. Allumez une allumette et tenir la flamme près du brûleur que vous voulez allumer. Ce sont les allumettes en bois qui fonctionnent le mieux. Enfoncez et tournez le bouton lentement. Assurez-vous que vous tournez bien le bouton du brûleur que vous voulez allumer.

NOTE: Si le brûleur ne s'allume pas dans les 5 secondes, remettez le bouton en position off, attendez une minute et ré-essayez à nouveau.

AVERTISSEMENT

Si vous essayez de mesurer le cône interne de la flamme, faites attention. Vous pourriez vous brûler.

Cet appareil est prédisposé en usine pour une flamme petite et moyenne et fonctionne au gaz naturel. Si d'autres réglages sont, veuillez procéder de la sorte:

Réglage pour brûleurs avec un ou deux anneaux de flamme:

1. Allumez le brûleur et positionnez le bouton sur petite flamme.
2. Enlevez le bouton de commande de la tige de la soupape.
3. Retirez la base du bouton du panneau de commande.

4. Introduire un tournevis fin à pointe plate dans la fente au centre de la tige de la vanne (A ou B) et introduire la pointe dans la rainure de la vis de réglage.
5. Tournez la tige du centre pour ajuster la flamme et déterminer sa taille.
 - dans le sens des aiguilles d'une montre, vous réduisez la flamme
 - dans le sens contraire des aiguilles d'une montre, vous augmentez la flamme
6. Remplacez le bouton de commande en fin d'opération.

Réglage pour brûleur inférieur four :

1. Allumer le brûleur et régler le bouton de contrôle sur la flamme basse.
2. Enlever le bouton de contrôle de la tige de soupape.

Conversion de gaz naturel à gaz liquide

3. Introduire le tournevis dans l'orifice qui se trouve sur le panneau frontal de l'instrument et tourner la vis de réglage A dans le sens horaire.

Conversion de gaz liquide à gaz naturel

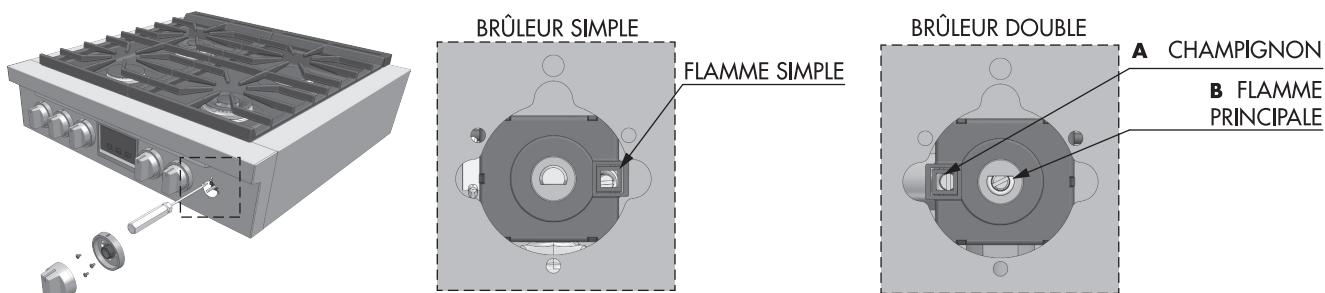
4. Allumer le four avec le thermostat réglé à 250 °C pendant au moins 10-15 minutes.

Tourner ensuite le thermostat sur la position minimum et tourner la vis de bypass A dans le sens antihoraire jusqu'à ce que la flamme soit réduite et stable.

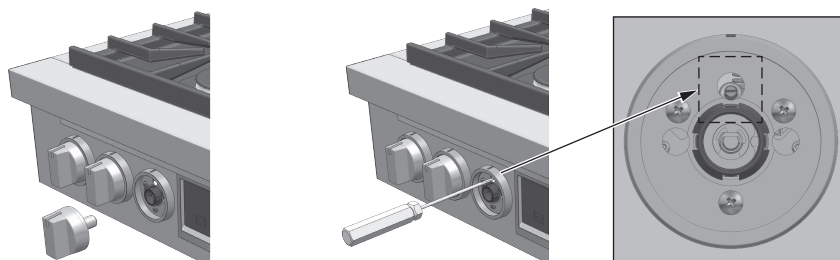
REMARQUE : Vérifier que la flamme ne sort pas quand on ouvre et on ferme la porte du four à plusieurs reprises. Si la flamme sort, augmenter légèrement le réglage du minimum.

5. Une fois le réglage terminé, remettre en place le bouton de contrôle.

RÉGLAGE POUR BRÛLEURS TABLE DE CUISSON



RÉGLAGE POUR BRÛLEUR INFÉRIEUR FOUR



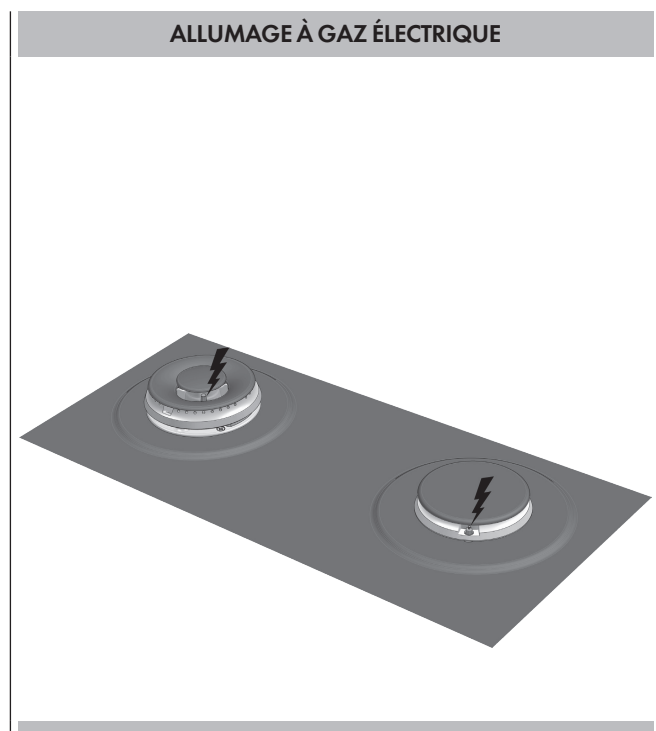
Un ajustement correct produira une flamme bleue de taille minimum, stable et constante. Vérifiez le réglage final en tournant plusieurs fois le bouton de la position flamme haute à flamme basse sans que la flamme ne s'éteigne. Ce réglage à position faible indiquera automatiquement la taille de la flamme sur la position moyenne.

Une fois que les étapes de conversion sont terminées, vérifiez l'aspect de la flamme de chaque brûleur en position HI et LO. Si les flammes semblent trop larges ou trop hautes, revoir chaque étape afin de vérifier qu'elles ont été exécutées correctement.

REMARQUE: Pour obtenir le réglage minimum correct avec le gaz de PL, tourner dans le sens des aiguilles d'une montre en serrant totalement la vanne avec le tournevis plat dans la rainure au centre de la tige de vanne (A ou B).

Allumage à gaz électrique

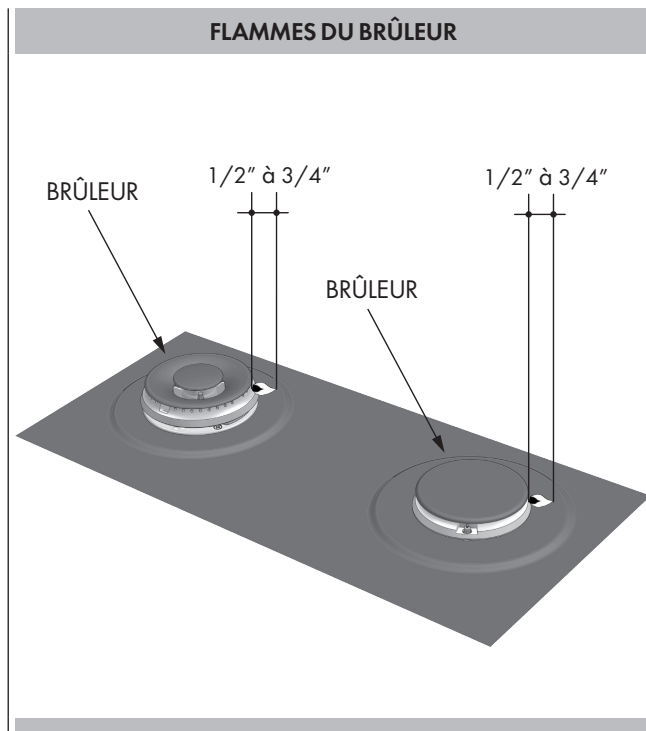
Les brûleurs à gaz utilisent un appareil à allumage électrique situé près de chaque brûleur qui assure que les brûleurs s'allument automatiquement.



Voir le Manuel d'utilisation et d'entretien pour une meilleure explication de fonctionnement de la table de cuisson.

Les Flammes du Brûleur

Allumez chaque brûleur. Les flammes devraient être de couleur bleu sans aucune trace de jaune. Les flammes du brûleur ne devraient pas tressaillir ou s'écarter du brûleur. Le cône interne de la flamme devrait être long de 1/2" à 3/4".



Information Général

Le voltage et la fréquence de cet appareil doivent être conformes à ceux du réseau; en outre, il doit être correctement relié à la terre et protégé par un disjoncteur général ou un fusible ayant un ampérage comme spécifié sur la plaque signalétique. Nous vous recommandons de faire exécuter le branchement électrique de votre appareil par un électricien compétent. Après l'installation, demandez-lui de vous montrer où se situe l'interrupteur général de la appareil. Vérifiez auprès des autorités locales les normes d'électricité qui s'appliquent à votre zone d'habitation. Un branchement électrique incorrect est synonyme de risque. Dans le cas où il n'y aurait pas de normes spéciales, votre appareil sera branchée et protégée par des fusibles aux termes des Normes d'Électricité Nationales, ANSI/NFPA N°70-dernière édition.

Vous pouvez obtenir une copie en écrivant à:

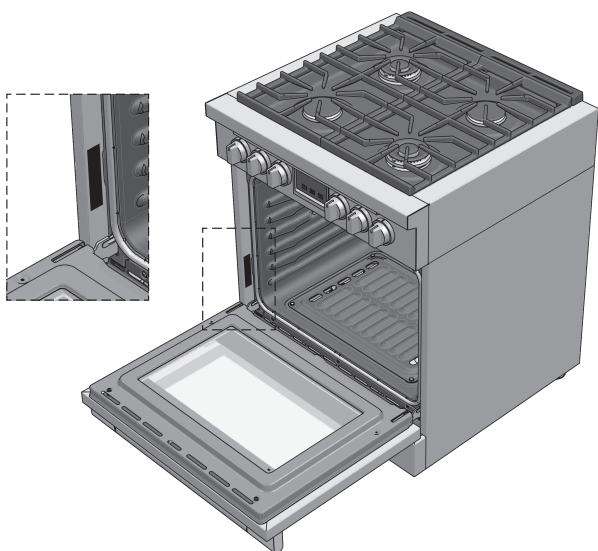
National Fire Protection Association
Battery march Park
Quincy. MA 02269

Au Canada, le branchement électrique de votre appareil et les fusibles doivent être conformes aux Normes d'Électricité du Canada. Assurez-vous que l'installation de ce produit dans une autocaravane est conforme aux Normes de Construction et de Sécurité des Habitations, Titre 24CFR, Partie 3280, ou lorsque de telles normes ne sont pas applicables, à la Norme pour les Installations d'Habitations, ANSI A225.1, à la Norme pour les Installations des Habitations, Emplacements et Communautés et ANSI/NFPA 501A ou aux réglementations locales.

Vous pouvez obtenir une copie de la Norme Fédérale en écrivant à:

Office of Mobile Home Standards
HUD Building
451 7th Street, S.W.
Washington, D.C. 24010

POSITION DE LA PLAQUE SIGNALÉTIQUE



Branchement Electricique

Vous devez disposer d'une fourniture et d'une sortie électrique adéquate pour que les pièces électriques de votre tappareil fonctionnent.



AVERTISSEMENT



RISQUE D'ÉLECTROCHOC

Branchez dans une prise à 3 fils avec mise à la terre.

- Ne pas enlever le conducteur de mise à la terre.
- Ne pas utiliser un adaptateur.
- Ne pas utiliser un câble d'extension.

La non-observation de ces instructions peut entraîner la mort, un incendie ou un électrochoc.



IMPORTANT

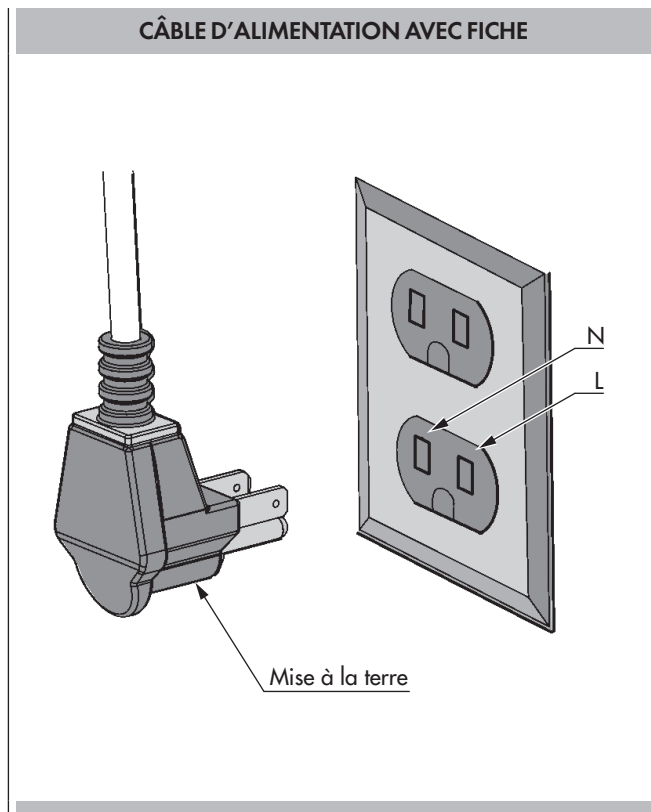
POUR VOTRE SÉCURITÉ PERSONNELLE, CET APPAREIL DOIT NÉCESSAIREMENT ÊTRE RELIÉ À LA TERRE.

Le câble d'alimentation de cet appareil est équipé d'une fiche à 3 fils (mise à la terre) qui doit être branchée dans une prise à 3 fils mise à la terre correctement et disposant d'un courant alternatif standard de 120 Volt et 60 cycles. Si votre prise n'est pas reliée à la terre, demandez à un électricien de vous la remplacer; et en attendant, utilisez un adaptateur reliant à la terre pour convertir la vieille prise.

Cette solution ne peut être que temporaire et un électricien compétent devrait la tester pour être sûr qu'elle correspond aux normes.

Requises Electricité

Ne jamais en aucun cas couper ou enlever la mise à la terre du câble électrique de la appareil.



 **WARNING**

- Si un tuyau d'eau froide est interrompu par un plastique, des joints non métalliques; des connexions d'union ou d'autres matériaux isolants. NE L'UTILISEZ pas pour mettre à la masse.
- Ne branchez pas la masse à un tuyau à gaz.
- N'AYEZ PAS de fusible en position neutre ou un circuit à la masse.
- Un fusible dans un circuit neutre ou à la masse pourrait entraîner une électrocution.
- Vérifiez avec un électricien qualifié si vous avez un doute si votre appareil est correctement raccordé à la masse.
- Si vous ne suivez pas bien ces instructions, cela peut entraîner des blessures graves ou la mort.

 **CAUTION**

Ne réparez ou ne remplacez pas des pièces de l'appareil si ce n'est pas spécifiquement recommandé dans le manuel. Tous les autres dépannages doivent être effectués par un technicien qualifié. Ce qui réduirait les risques de blessures et d'endommagements du appareil.

Ne modifiez jamais ou n'altérez jamais la construction de l'appareil en enlevant des panneaux, des couvertures de fil, des vis, ou toute autre pièce du produit.

TABELA DE CONTENIDO	PAGE
1 - Advertencias Especiales	2
Antes de comenzar la instalación	2
Instalación en Casas Móviles	2
Micro-casas prefabricadas	2
2 - Dimensiones del Producto y de Encastre	3
Instrucciones para instalar la brida anti-vuelco	5
3 - Información de instalación	7
4 - Instrucciones para la Instalación	8
5 - Conexión del Gas - Requisitos	12
Prueba de Presión	13
Método de la prueba de presión	13
Conexión del Gas	14
6 - Conversión a Gas LP o NG	15
Conversión del Electrodoméstico para su Uso con Gas LP	15
Sustitución de los inyectores (quemadores de doble corona de combustión)	15
Sustitución del inyector (una corona de llama o quemadores)	15
Sustitución inyector (quemador inferior del horno)	16
Conversión de los Electrodomesticos para Utilizarlos con Gas NG	18
Conversión del Regulador de Presión	18
Posición de los Inyectores	19
Posición de los Inyectores	20
Graduación de la Llama Baja	21
Ajuste de los quemadores con llama de una sola corona o doble coronas:	21
Ignición eléctrica del gas	22
Las llamas del quemador	22
7 Conexión Eléctrica - Requisitos	23
Information Général	23
Conexión Eléctrica	23
Conexión Eléctrica - Requisitos	24

IMPORTANTE: Guarde estas instrucciones para el uso del inspector eléctrico local.

INSTALADOR: Por favor, deje este manual a propietario para futuras consultas.

PROPIETARIO: Por favor, conserve este manual para futuras consultas.

Preste la debida atención a los siguientes símbolos que encontrará en el manual:



PELIGRO

Si no sigue estas instrucciones de forma INMEDIATA, puede correr peligro de muerte o de resultar gravemente herido.



ADVERTENCIA

Este es el símbolo de los avisos relacionados con la seguridad: alerta sobre potenciales peligros que pueden derivar en muerte o daños a las personas.

Si no sigue estas instrucciones, puede correr peligro de muerte o de resultar gravemente herido.

LEA Y CONSERVE ESTAS INSTRUCCIONES.

Instalador:

Deje las instrucciones con el electrodoméstico.

Cliente:

Conserve las instrucciones como referencia futura.



ADVERTENCIA

Respetar minuciosamente las indicaciones aportadas en este manual es indispensable para evitar el riesgo de incendio o de explosión que podrían estropear los bienes y los productos y provocar heridas, y hasta provocar la muerte. No almacene ni utilice gasolina u otros vapores o líquidos inflamables cerca de este ni otro electrodoméstico.



INSTRUCCIONES IMPORTANTES

Por favor, lea todas las instrucciones antes de utilizar este aparato.



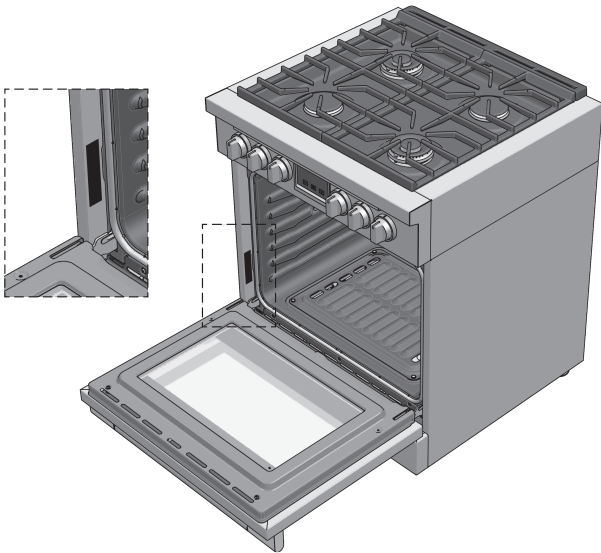
Efectuar una instalación adecuada es responsabilidad suya. Asegúrese de que el electrodoméstico es instalado por un técnico cualificado.



IMPORTANTE

- Cumpla todas las normativas y ordenanzas vigentes aplicables.
- Antes de instalar la cocina, comprobar el modelo y los números de serie. Los dos números se encuentran en la placa de datos en la posición indicada en la figura a continuación

POSICIÓN DE LA PLACA DE SEÑALIZACIÓN



Antes de comenzar la instalación

- Examine el lugar en el que va a instalar la placa de cocción. Debe ubicarla en un lugar alejado de fuertes corrientes de aire, como ventanas, puertas y ventiladores.
- Es necesario que el electrodoméstico se conecte a una toma de tierra. Consulte la sección "Conexión eléctrica. Requisitos".
- Debe asegurarse de que la instalación es adecuada y conforme con el Código eléctrico americano (National Electrical Code), ANSI/NFPA 70 (última edición**) o con el Código eléctrico canadiense (Canadian Electrical Code), C 22.1 – 1982 y C22.2 N° 01982 (o la última edición)*** y con todos los códigos y ordenanzas locales.
- Debe asegurarse de que la conexión de gas está conforme con los códigos y ordenanzas locales.
- En ausencia de códigos locales, las instalaciones deben

conformarse con el Código eléctrico americano (National Electrical Code), la Norma estadounidense de gas combustible (National Fuel Gas Code) ANSI Z223.1 (última edición** o CANI) B149.1 o 2***.

Puede obtener copias de las normas citadas en:

** National Fire Protection Association One Batterymarch Park Quincy, Massachusetts 02269

*** CSA International 8501 East Pleasant Valley Rd. Cleveland, OH 44131-5575

NOTE: Esta estufa ha sido diseñada para ser utilizada con gas natural*. Para convertirla a LP/propano, lea las instrucciones del kit de conversión que encontrará entre los manuales del embalaje. Debe disponer de una conexión de suministro adecuada. Lea la sección "Conexión del gas. Requisitos".



WARNING

Antes de conectar el dispositivo a la línea de entrada de gas, comprobar que el tipo de gas ha sido elegido correctamente. El tipo de gas programado y enviado desde la fábrica está indicado en la placa de señalización.

Instalación en Casas Móviles

La instalación de esta placa de cocina debe cumplir con el título 24 CFR, Parte 3280 de las Normas de seguridad y construcción de viviendas prefabricadas o móviles estadounidenses (Manufactured Home Construction and Safety Standards, [anteriormente denominada Federal Standard for Mobile Home Construction and Safety (Norma federal para seguridad y construcción de casas prefabricadas), Title 24 HUD, Part 280]; o, en caso de que dicha norma no sea aplicable, deberá seguirse la pauta marcada por la Norma para instalaciones en casas prefabricadas estadounidense [(Standard for Manufactured Home Installations (Manufactured Home Sites, Communities and Setups), ANSI A225.1 (última edición) o bien, la normativa local existente referente a casas móviles.

En Canadá, la instalación de esta placa de cocción debe cumplir con las normativas actuales CAN/CSA-Z240 (última edición) o con las normativas locales.

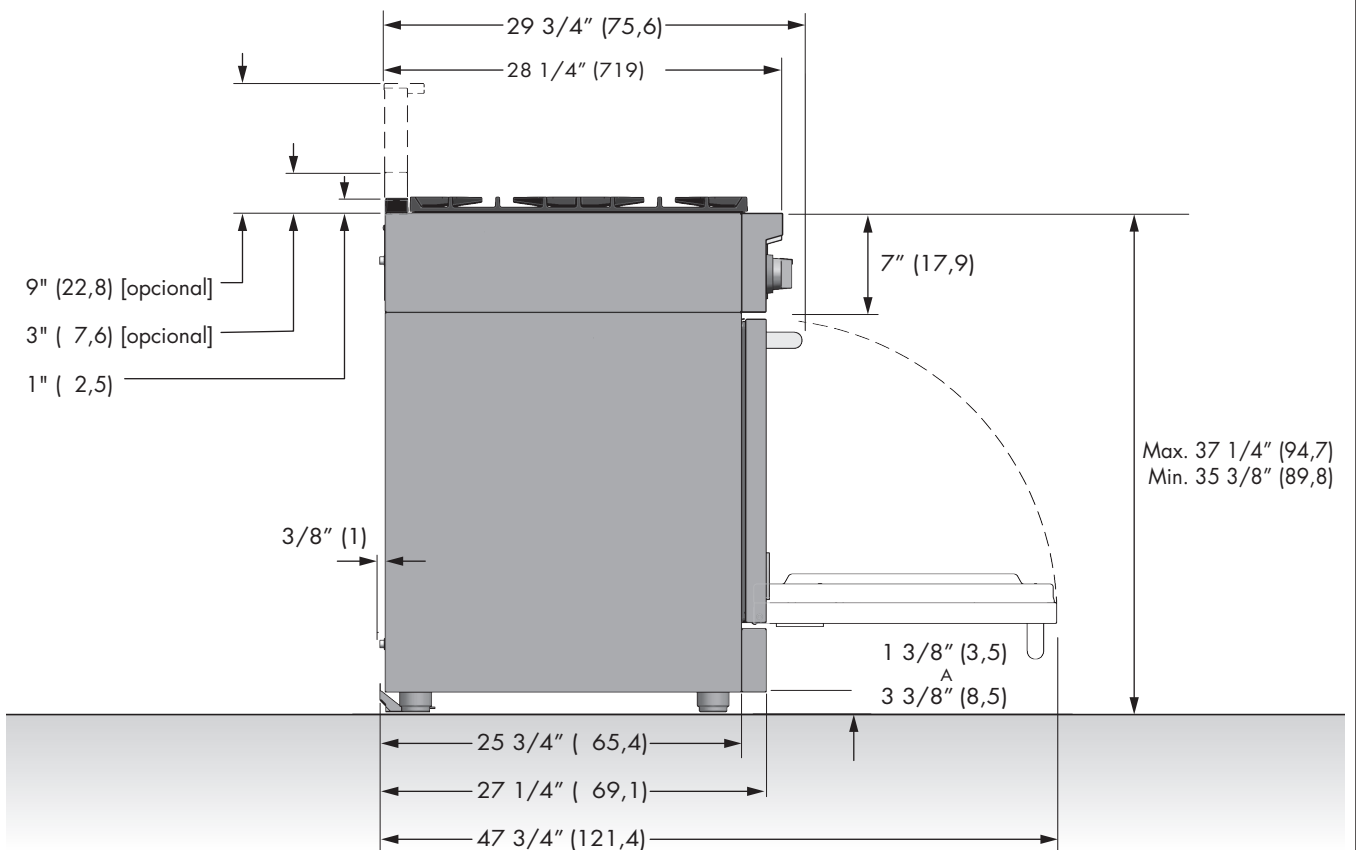
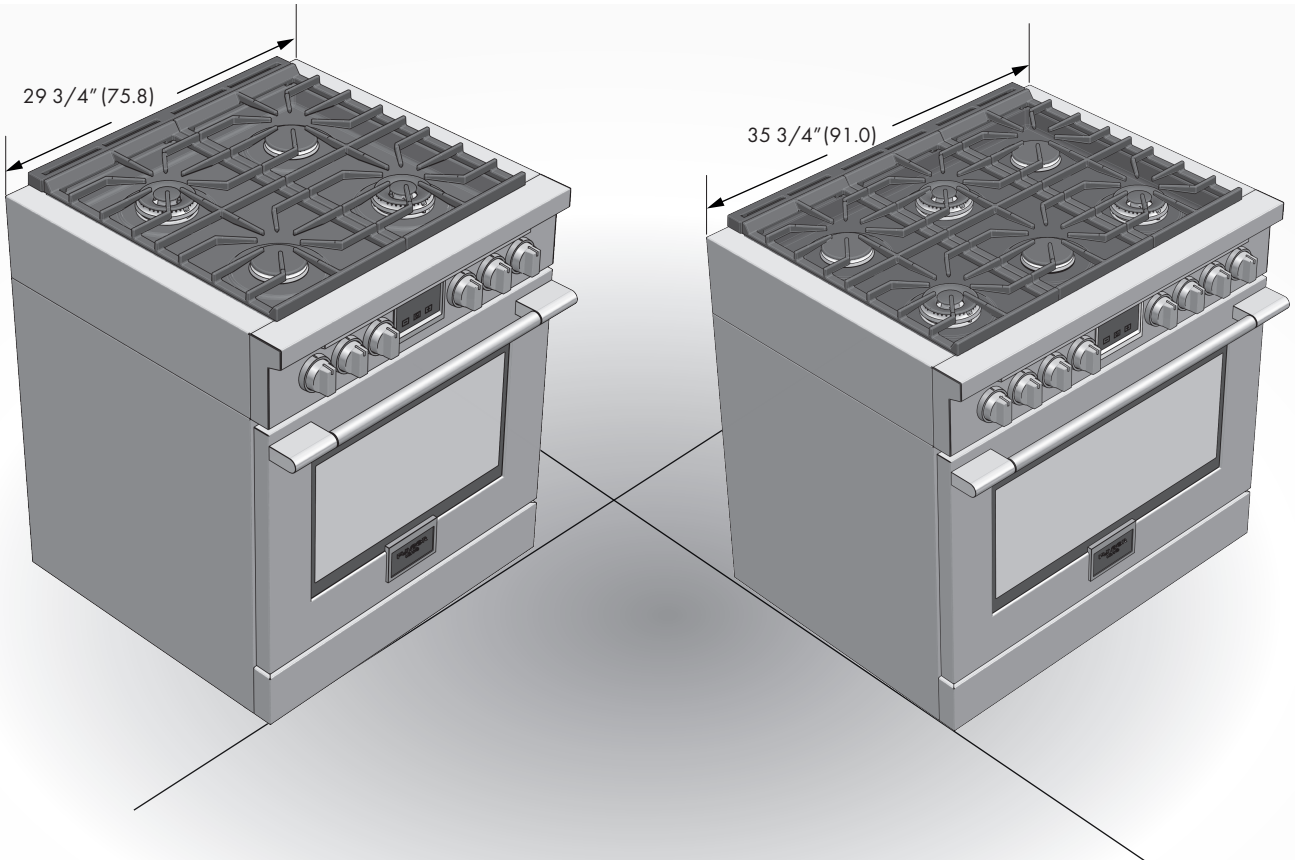
Micro-casas prefabricadas

La instalación de estos dispositivos diseñados para micro-casas prefabricadas debe realizarse de conformidad con las disposiciones nacionales u otras o bien, en su defecto, con la norma sobre micro-casas prefabricadas ANSI A119.5.

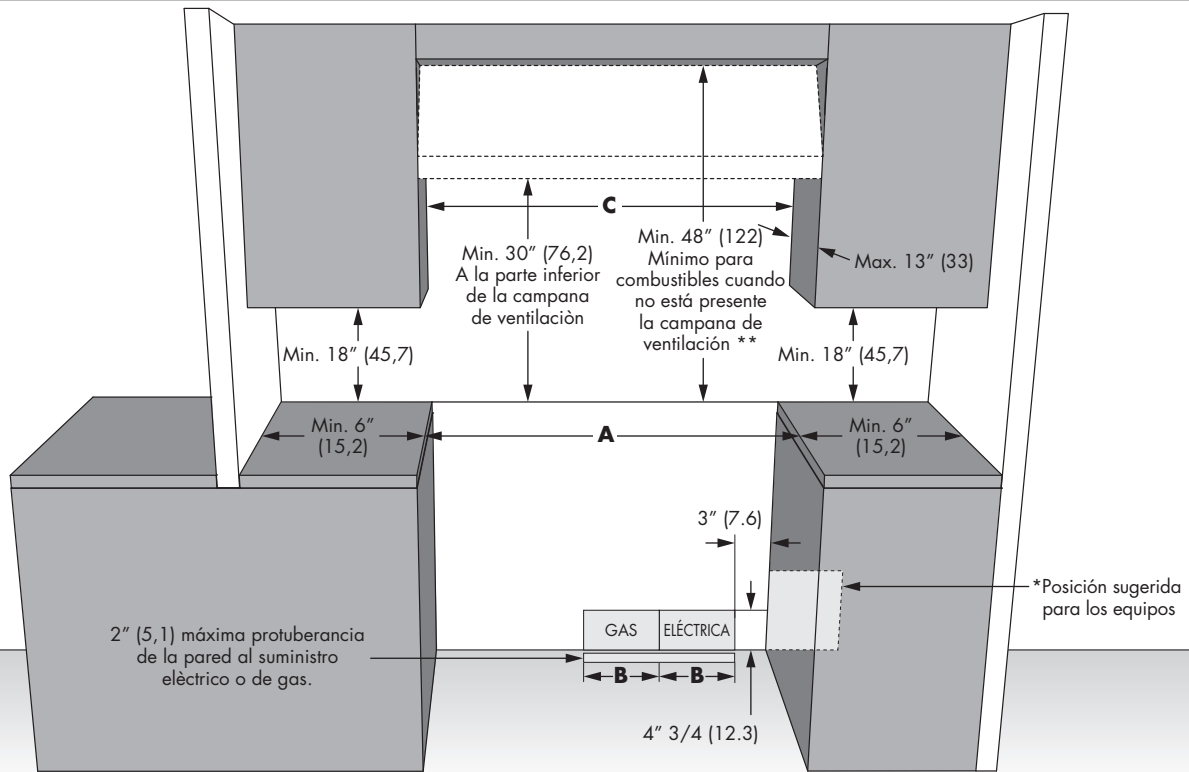
DIMENSIONES DU PRODUCTO

Modelos de cocina de 30" de ancho

Modelos de cocina de 36"



DIMENSIONES DE ENCASTRE



****NOTA:** Asegúrese de que su instalación además cumpla con los códigos locales y nacionales de construcción e incendio. Si la superficie de toda la pared trasera por encima del rango y debajo de la campana no está compuesta por un material no combustible entonces debe ser usada la protección trasera accesoria de 9".
 *Consultar las normas locales para la exigencias exactas de colocación.

ANCHO DE APERTURA	A & C	B
Estufa de 30"	30" (76.2)	6" (15.2)
Estufa de 36"	36" (91.4)	7" (17.8)

Nota: Las distancias a los materiales no combustibles no son parte del alcance de ANSI Z21.1 y no están certificadas.
 La distancia con relación a los materiales no combustibles debe respetar las normas locales o, en ausencia de las mismas, el « National Fuel Gas Code », ANSI Z223.1/NFPA 54.

Distancia mínima a construcciones:

Por arriba de la supercie de cocinar (más de 36" [91.4 cm])

- Lados - 6" (15.2 cm)
- Dentro del espacio lateral de 6" (15.2 cm), los gabinetes de la pared no más profundos de 13" (33.0 cm) deben estar a un mínimo de 18" (45.7 cm) por arriba de la supercie de cocinar
- Los gabinetes de la pared que estén directamente por encima del producto deben estar a un mínimo de 48" (122 cm) por arriba de la supercie de cocinar.
- Parte posterior - 0" a la protección posterior de 9" o al estante de arriba; 0" a una pared posterior no combustible.

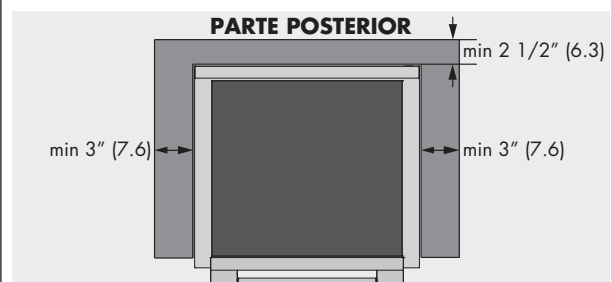
Debajo de la placa de cocción (36" [91.4 cm] y por debajo)

- Instalación con espacio nulo entre la construcción combustible adyacente debajo de la superficie de cocción y las partes trasera y lateral del equipo".

ESPACIOS ADICIONALES:

Para la instalación de la isla, deje un espacio mínimo de 2-1/2" entre la abertura y el extremo trasero de la mesada y un mínimo de 3" entre la abertura y los extremos laterales de la mesada (ver la vista superior). Para instalación en una isla escalonada, 12" (30.5 cm) se requiere una separación mínima desde la parte posterior de los lados de la hornilla a un elevador de combustible. La instalación isla no es parte de la norma ANSI Z21.1 alcance y no certificado.

INSTALACION EN ISLA, DEBE SER ENRASADO



Antes de mover la estufa, proteja cualquier suelo acabado y asegúrese de que la puerta del horno esté cerrada para que no se dañe.

Combinaciones de capuchas de ventilación:

Es recomendable que estos rangos se instalen en combinación con una campana de ventilación superior adecuada.

Dada la capacidad de calentamiento de esta unidad, debe prestarse especial atención a la instalación de la campana y los conductos para garantizar que cumpla con los códigos locales de construcción.

Se sugiere una campana con un área de captura adecuada y capaz de al menos 450 cfm para evacuar eficazmente los olores, el vapor y el calor. La elección de instalar una campana de menor cfm o configurada para la recirculación podría comprometer la efectividad de eliminar los factores mencionados antes.

Notas: algunos códigos de construcción Estatales / Provinciales requerirán la instalación de sistemas de aire de recuperación para campanas por encima de un cierto umbral de cfm (300 cfm es habitual).

Es su responsabilidad comprender y cumplir con los requisitos locales para gas, electricidad y ventilación donde se instalan estos artefactos.



ADVERTENCIA

No se deben usar cortinas de aire ni ninguna otra campana de ventilación superior que sople aire hacia abajo sobre la estufa a gas a menos que la campana de ventilación y la estufa hayan sido diseñadas, probadas y certificadas por un laboratorio de pruebas independiente para el uso combinado de la una con la otra.

Distancias respecto de superficies horizontales sobre la cocina, medidas en relación a la superficie de cocción. No cumplir con esto puede provocar un peligro de incendio.

- Las instalaciones sin capucha requieren un mínimo de 48" (122) respecto de elementos combustibles.
- Una instalación de capucha a medida con superficies expuestas horizontales combustibles debe contar con una función de encendido automático.
- Para otras instalaciones con una capucha, consulte las instrucciones de instalación de capuchas sobre espacios específicos para capuchas



PRECAUCIÓN

Estas cocinas pesan hasta 400 libras. Desmontar algunos elementos reducen su peso en forma considerable. Debido al peso y tamaño de la cocina y para reducir el riesgo de lesiones personales o daños al producto:

SE REQUIEREN DOS PERSONAS PARA UNA INSTALACIÓN.

Instrucciones para instalar la brida anti-vuelco



ADVERTENCIA

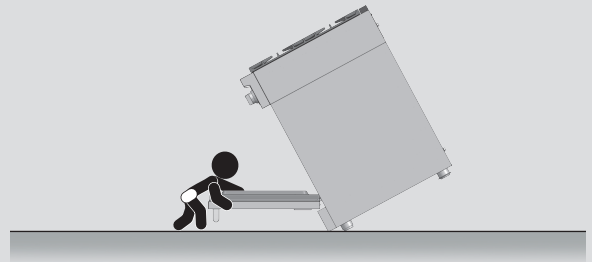
Peligro de vuelco

El vuelco de la cocina es un riesgo para todos, niños y adultos, que puede llegar a provocar la muerte.

Cuando se desplace la cocina, comprobar que el taco anti-vuelco está acoplado.

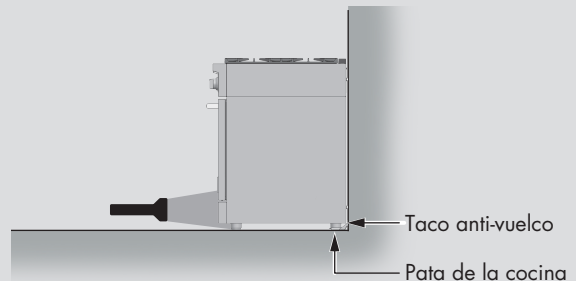
No dejar que la cocina funcione sin el taco anti-vuelco instalado y acoplado.

El no respeto de estas instrucciones puede provocar quemaduras graves o incluso la muerte para todos, niños y adultos.

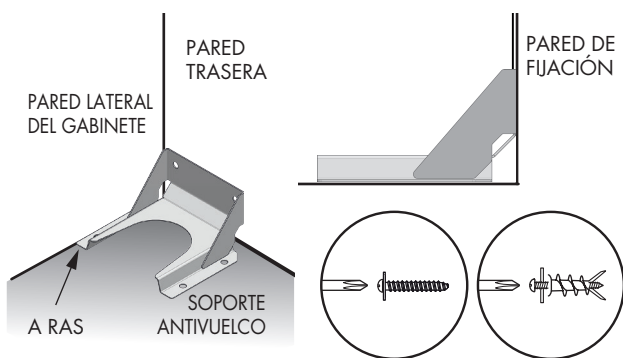


Para comprobar que el taco anti-vuelco está instalado y acoplado:

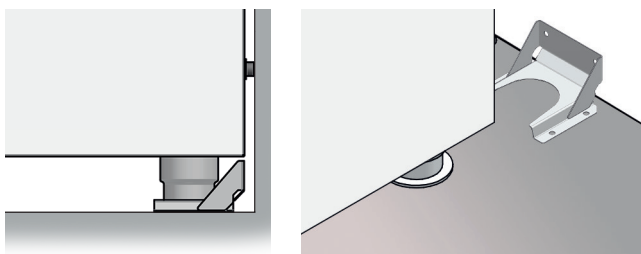
- Deslice la cocina hacia delante.
- Compruebe si el taco anti-vuelco está fijado firmemente al suelo o a la pared.
- Deslice la cocina hacia atrás de tal manera que la pata trasera se encuentre debajo del taco anti-vuelco.
- Para más detalles, consulte las instrucciones de instalación.



INSTALACIÓN DE LA BRIDA ANTI-VUELCO



Para construcciones de concreto o cemento: Deben utilizarse elementos de sujeción apropiados (no provistos). Sujete el soporte a la pared y/o piso mediante por lo menos 4 tornillos para madera (provistos).



El soporte anti-Volcaduras se debe insertar en la abertura correspondiente a la abrazadera anti-volcaduras de la cocina.

⚠ ADVERTENCIA

- **Peligro por peso excesivo**

Dos personas o más tienen que desplazar e instalar la cocina.

De lo contrario podrían sufrir daños en la espalda u otros.

- **Cut Hazard**

Cuidado con las aristas cortantes. Al desplazar el producto, agarrarlo por los protectores de poliestireno. De lo contrario podrían sufrir heridas leves o cortes.

No taponar los flujos de aire en combustión a nivel de la apertura de ventilación del horno ni debajo de panel frontal inferior de la cocina. Evitar tocar las aperturas de ventilación o las superficies cercanas ya que estas superficies podrían calentarse mientras que el horno está funcionando. Es indispensable que haya un aire fresco para una buena combustión en el quemador.

NUNCA tape ninguna ranura, orificio o abertura del horno o forre una rejilla completa con papel de aluminio. De lo contrario puede bloquear el flujo de aire en el horno y causar envenenamiento por monóxido de carbono. Forros con papel de aluminio pueden atrapar el calor, causando un riesgo de incendio.

ELECCIÓN DE LA POSICIÓN DE LA COCINA

Elegir atentamente el lugar de instalación de la cocina.

La cocina debe colocarse para ser utilizada en la cocina, pero lejos de las corrientes de aire, una puerta o una ventana abiertas, el aire en movimiento por ventiladores de calefacción/refrigeración pueden originar fuertes corrientes de aire.

⚠ NOTA IMPORTANTE

Si instala la cocina contra una superficie combustible, prevea un mínimo de realce.

Respete todas las distancias con relación a las superficies combustibles indicadas en las páginas precedentes.

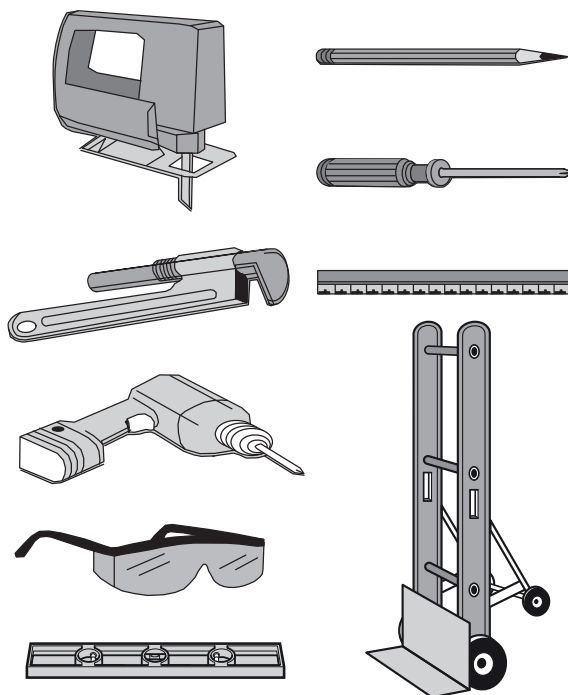
Antes de desplazar la cocina, proteja el suelo y mantenga la puerta del horno cerrada para prevenir cualquier daño.

Evitar absolutamente levantar o agarrar la cocina sujetándola por el asa de la puerta.

Para eliminar el riesgo de quemaduras o de incendio a causa de un calentamiento de la superficie de la unidades, evitar colocar un armario encima de la unidad. Si tiene un armario encima de la cocina, puede reducir el riesgo instalando a una cierta distancia por debajo de la parte inferior del armario una pantalla de protección que recubre toda la superficie horizontal.

Se debe sellar todas las aberturas en la pared o el piso donde la estufa esté instalada.

HERRAMIENTAS NECESARIAS



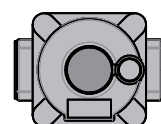
Retire el embalaje y separe los manuales de instrucciones antes de comenzar la instalación.

Lea atentamente los manuales de instalación antes de comenzar.

MATERIALES PROVISTOS



Soporte antivolcaduras, a brazadera y tornillos



Regulador de presión del aparato



Adaptador conexión cónica

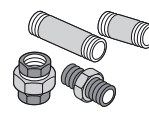


Junta

MATERIALES REQUERIDOS (no provistos)



Sellador de juntas



Accesorios de tubería



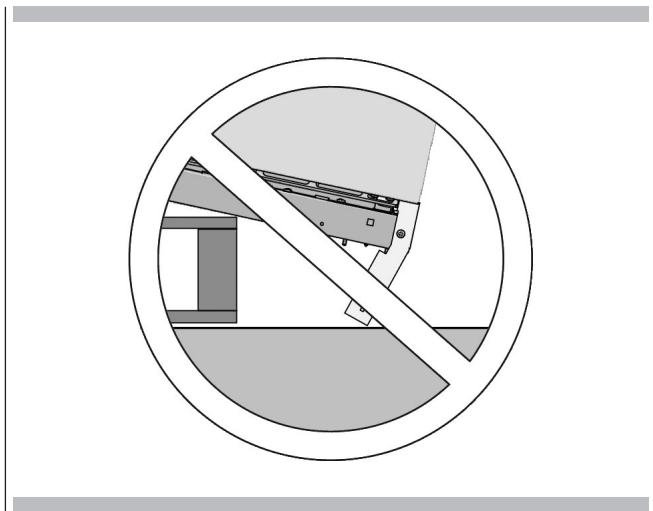
Válvula de apagado



Longitud máxima de 5 pies, 5/8" DE. Suministro de gas de metal flexible aprobado por CSA (Longitud máxima de 3 pies sólo Massachusetts)

NOTA: Adquiera una línea flexible nueva; no utilice una línea de gas flexible previamente usada.

No incline la cocina sobre un lateral cuando instale las patas. Las paredes laterales no están diseñadas para soportar el peso de la cocina y se doblan. Cualquier daño como resultado de la inclinación no queda cubierto por la garantía. Se debe seguir el método descrito en el manual de instalación adjunto.

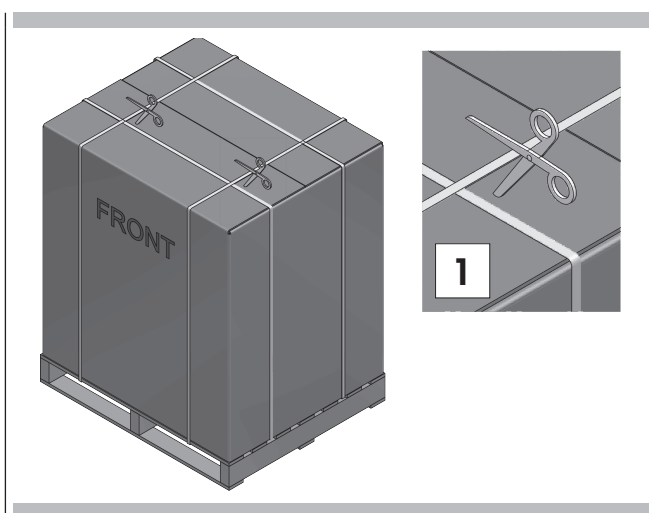


PASO 1

Cortar las bandas (1) y retirar las Instrucciones de Instalación de la parte superior del artefacto de cocción y leerlas detenidamente antes de comenzar.

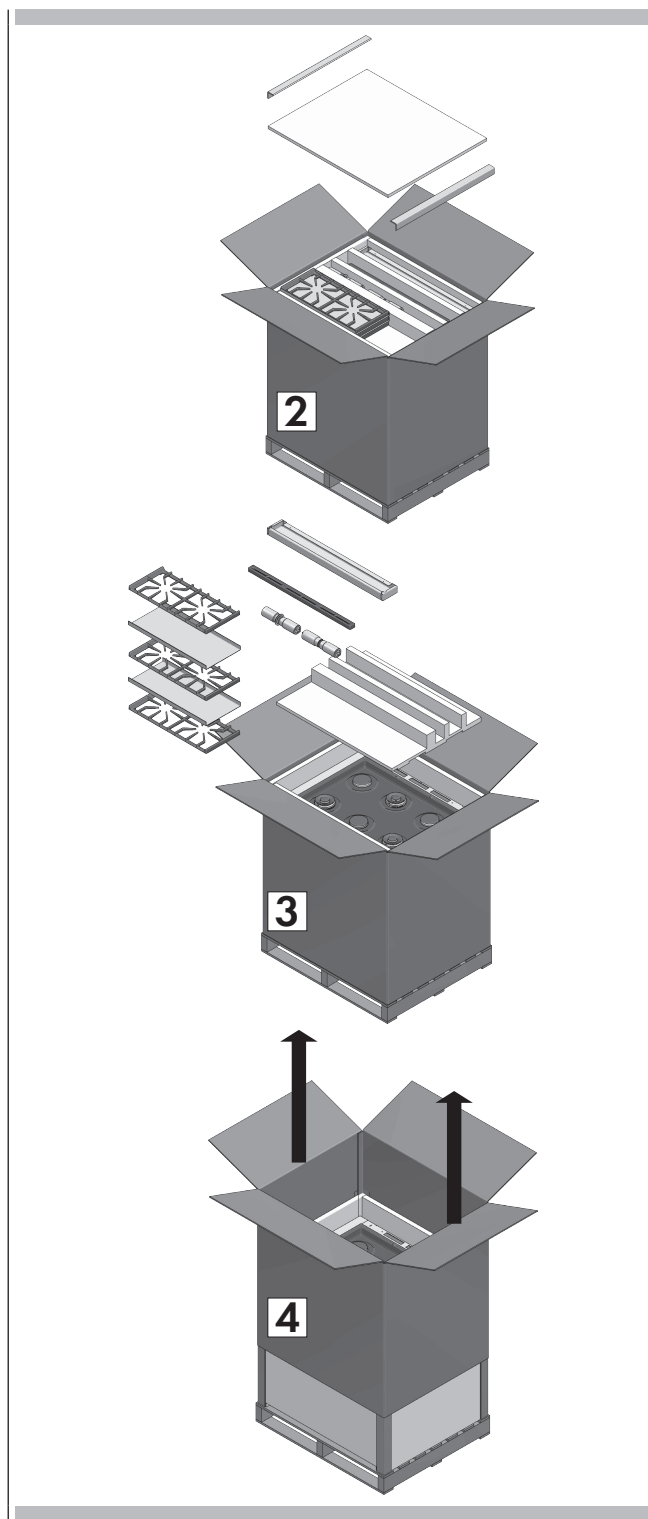
ATENCIÓN

Mantenerse alejado. Los extremos de las bandas cortadas podrían golpearle al darse la vuelta.



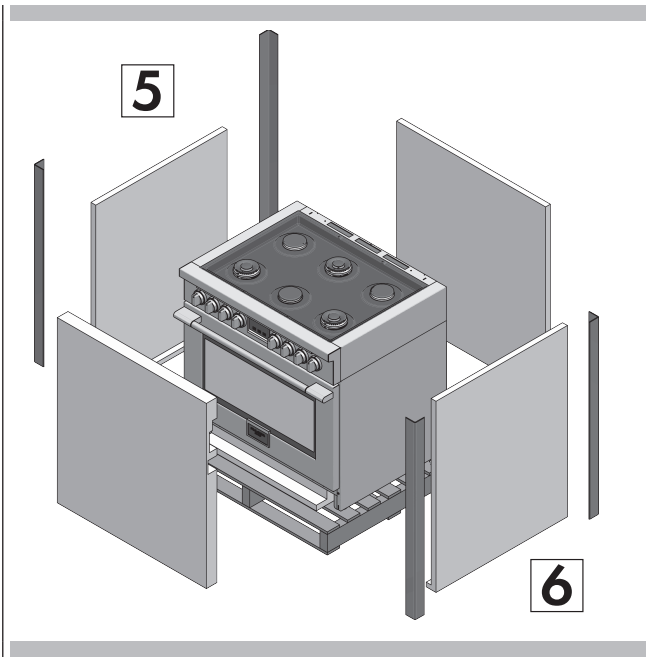
PASO 2

Abrir la parte superior (2) y extraer los accesorios (3), luego levantar la funda de cartón (4).



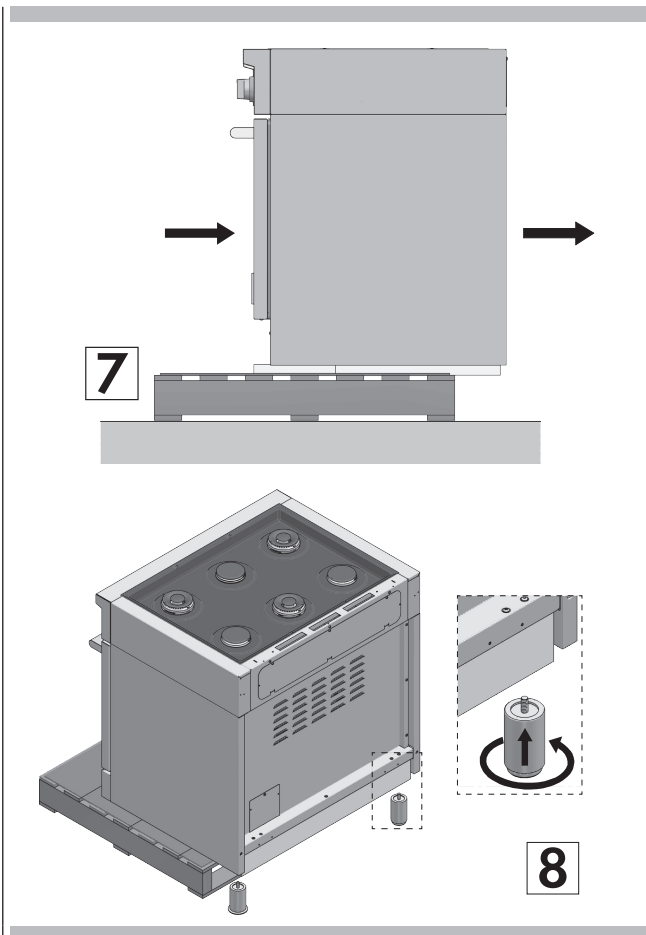
PASO 3

Tomar las instrucciones de instalación (5) presentes en la cocina y leerlas atentamente antes de empezar.



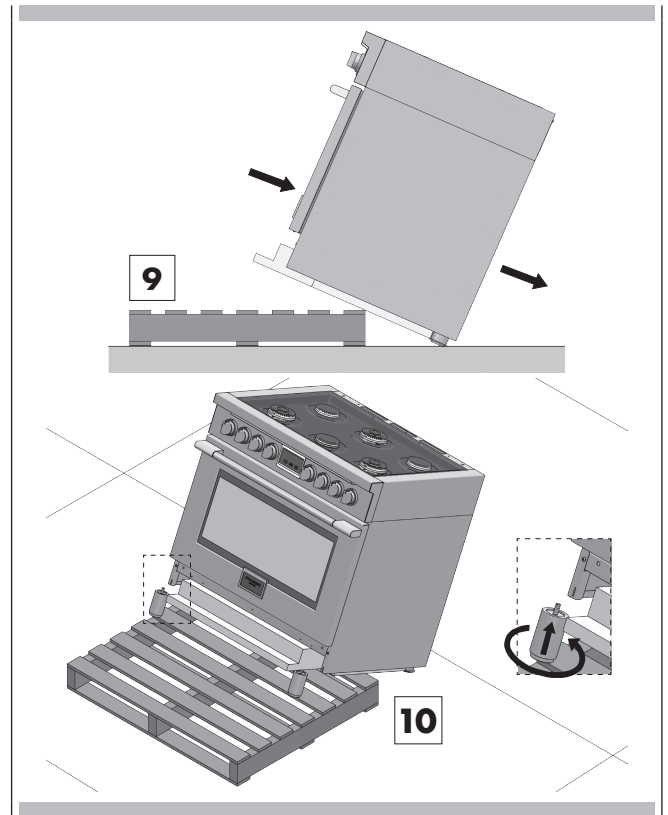
PASO 4

Deslizar el artefacto de cocción justo lo suficiente para permitir instalar las patas traseras.



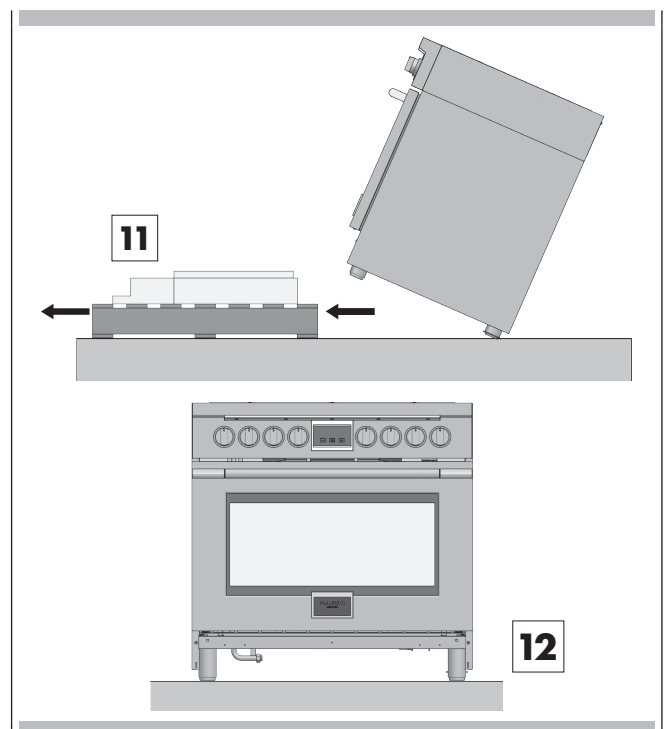
PASO 5

Deslizar más e inclinar hacia atrás (9), poniendo las patas traseras en el suelo y, a continuación, montar las patas delanteras (10) mientras que está en esta posición angulada apoyado por las patas traseras y el patín.



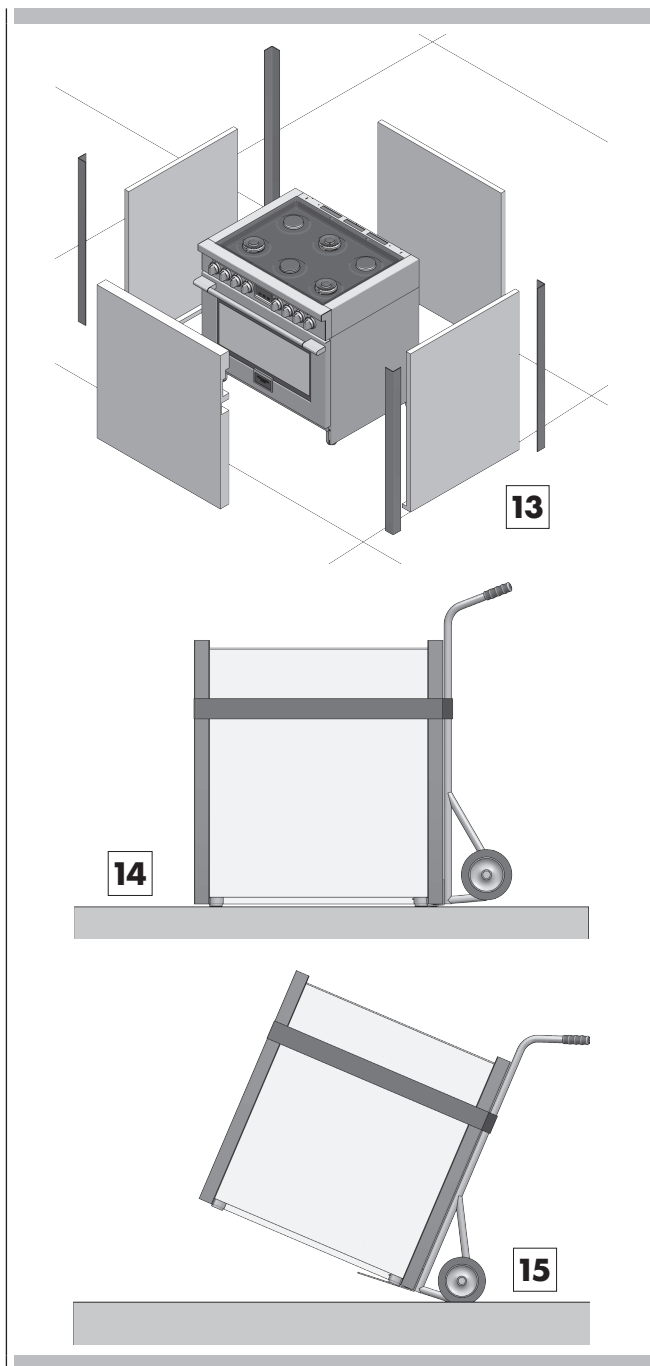
PASO 6

Retirar la base sujetando la parte delantera del artefacto (11) y bajar al suelo de forma controlada (12).



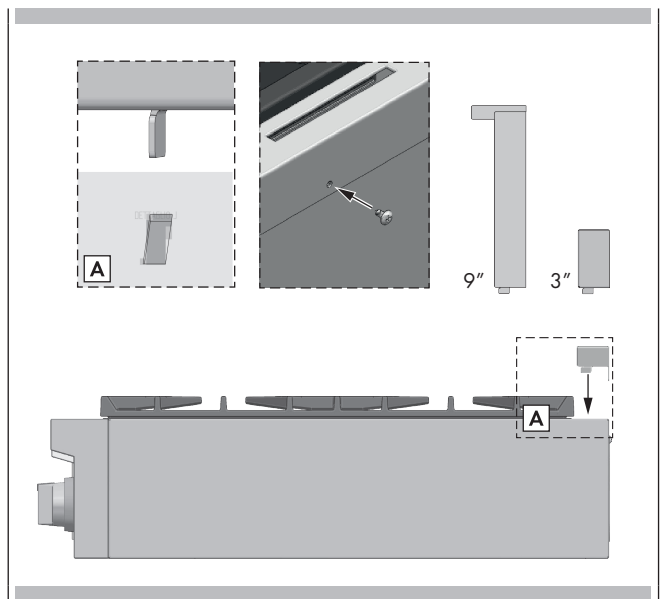
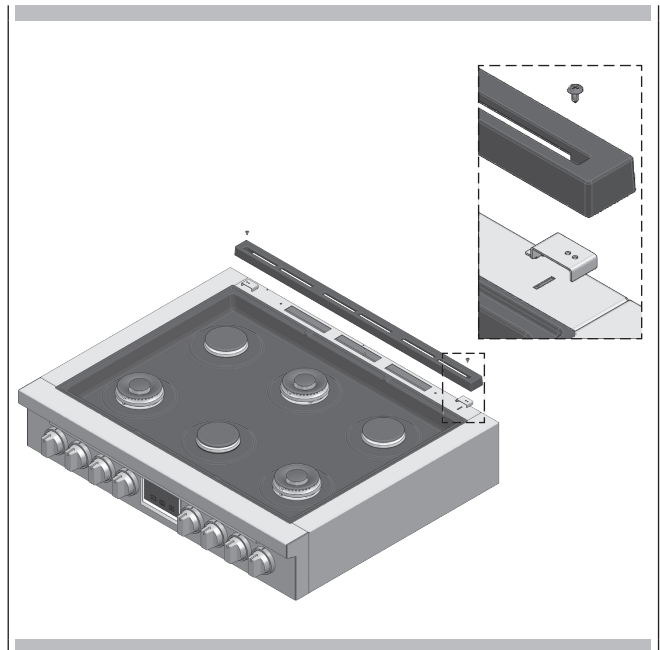
PASO 7

En caso de que sea necesario mover el artefacto de cocción; usar el envase de espuma y/o de cartón (13), reemplazarlos alrededor del artefacto estratégicamente para proteger el acabado de superficies del mismo contra el contacto con el montacargas de mano y cualquier correa alrededor de la unidad (14). En el caso de artefactos más pequeños, puede utilizar esta técnica para retirar el artefacto del pañín e instalar las patas (15). Inclinar el artefacto para bajar las ruedas del montacargas de mano fuera del pañín. Colocar los corredores del aparato en el suelo a la izquierda y a la derecha, delante de la apertura cuando se mueva a una posición final para proteger el piso. La(s) puerta(s) del horno añade(n) mucho al peso global del artefacto, entonces puede resultarle útil quitar las puertas si mueve el artefacto en una distancia considerable. Consultar los manuales de instrucciones incluidos sobre cómo retirar y volver a colocar las puertas.



PASO 8

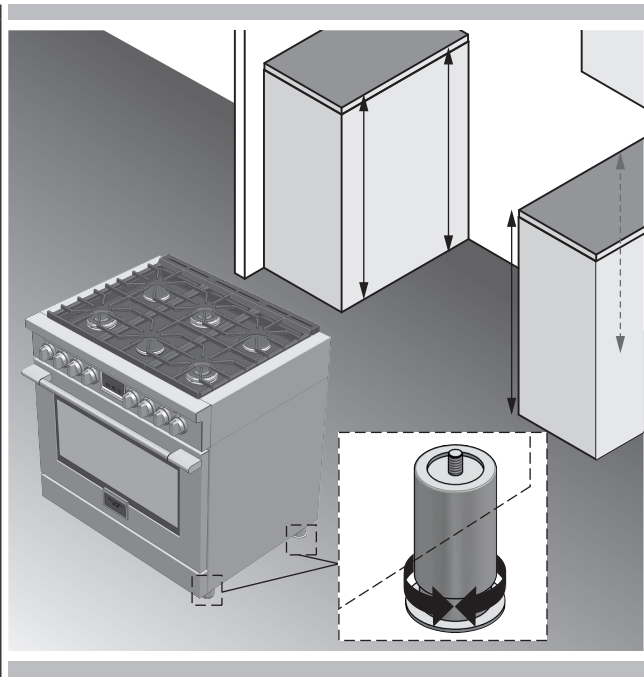
Instalar la protección trasera (si la hubiera) mediante los tres tornillos en la parte posterior. En algunos casos esto puede ser un accesorio de protección trasera que fue ordenado por separado en lugar de uno que estaba incluido con el artefacto. Consulte las instrucciones incluidas con cualquier accesorio para ver los requisitos de instalación específica.



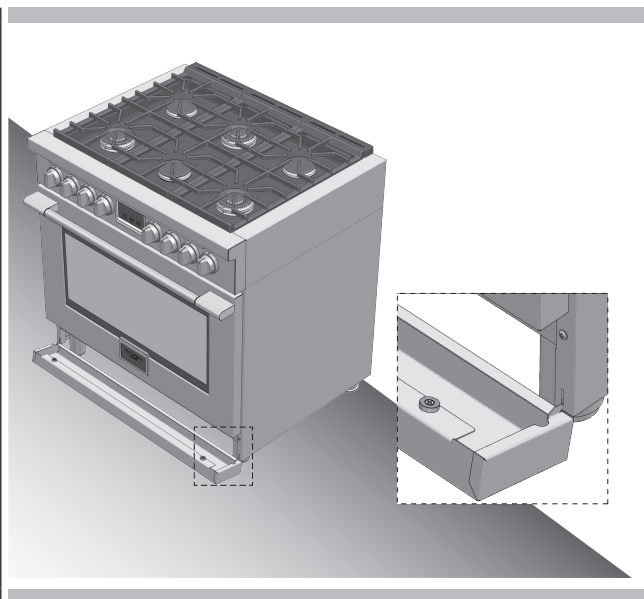
PASO 9

Después de completar las conexiones eléctricas y de gas (ver las instrucciones incluidas) medir las cuatro esquinas en el área de muesca para comprobar si el suelo está a nivel. Ajustar las patas de nivelación a la altura deseada y asegurarse que el artefacto esté a nivel. Gire la parte inferior de cada pata en sentido contrario a las agujas del reloj para elevar la pata y en sentido de las agujas del reloj para bajar.

Asegúrese de que el piso está protegido. Deslice la unidad en su sitio, asegurándose de acoplar el soporte anticáidas.

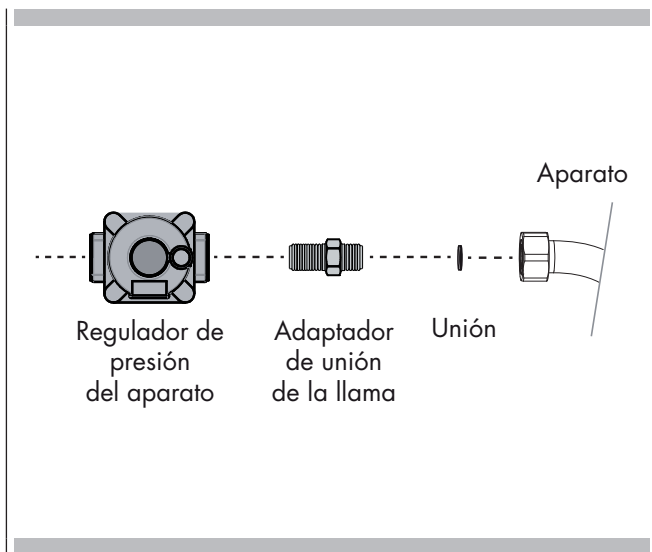
**PASO 10**

Asegurar las lengüetas en la parte inferior del tope de pie en las ranuras en cada lado del bastidor y girar hasta que los imanes en la parte superior del tope de pie hagan contacto y mantenerlo en su lugar de forma segura.



LA CONEXIÓN DEL SUMINISTRO DE GAS DEBE SER EFECTUADA POR UN TÉCNICO ESPECIALIZADO O POR UN INSTALADOR DE ELECTRODOMÉSTICOS DE GAS.

El responsable de efectuar la prueba de fugas de acuerdo con las instrucciones suministradas será el instalador. Debe instalar las partes de la conexión suministradas que se observan aquí en esta configuración al distribuidor principal de gas en el aparato. Los problemas que surjan por una falla en su ejecución, no estarán cubiertos por la garantía. No instale el regulador de presión hacia atrás ya que el gas no fluirá correctamente. Chequee que la flecha fluya en los puntos traseros en la dirección del gas. Las partes requeridas para la conexión desde el suministro de gas hacia el regulador son responsabilidad del instalador/propietario.



ATENCIÓN

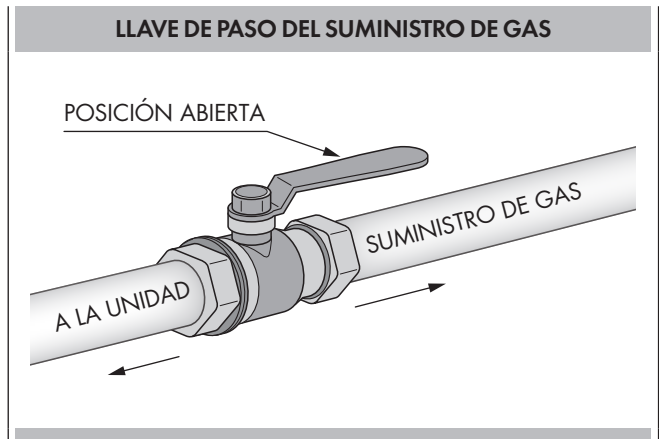
Use cinta de teflón calificada para aplicaciones de gas en todas las conexiones de rosca. No apriete en exceso la conexión en el distribuidor ya que podría dañar la unión y causar una fuga.

ADVERTENCIA

Si la presión del suministro de gas del regulador del electrodoméstico supera las 14 pulgadas de c.d.a. (columna de agua) - de cualquier gas - será necesario instalar un regulador externo en la línea de gas, antes del regulador del electrodoméstico, para reducir la presión hasta un nivel inferior a 14 pulgadas de c.d.a. El incumplimiento de esta condición puede derivar en un mal funcionamiento del electrodoméstico o provocar daños en el electrodoméstico

Observaciones importantes para la conexión del gas
El electrodoméstico y la válvula individual de cierre deben aislarse del sistema de tuberías que suministran el gas siempre que se realicen pruebas de presión con presiones superiores a 1/2 psi (3,5 kPa). El electrodoméstico debe aislarse del sistema de tuberías de suministro de gas cerrando la válvula individual

de cierre durante cualquier prueba de presión realizada en dicho sistema en la que las presiones de comprobación sean equivalentes o inferiores a 1/2 psi (3,5 kPa).



Todas las tuberías de suministro, excepto las especificadas, deberían regirse por el National Pipe Thread (NPT) (Estándar americano de uniones roscadas). Para las conexiones de tuberías, utilice un compuesto adhesivo homologado resistente a la acción del gas LP.

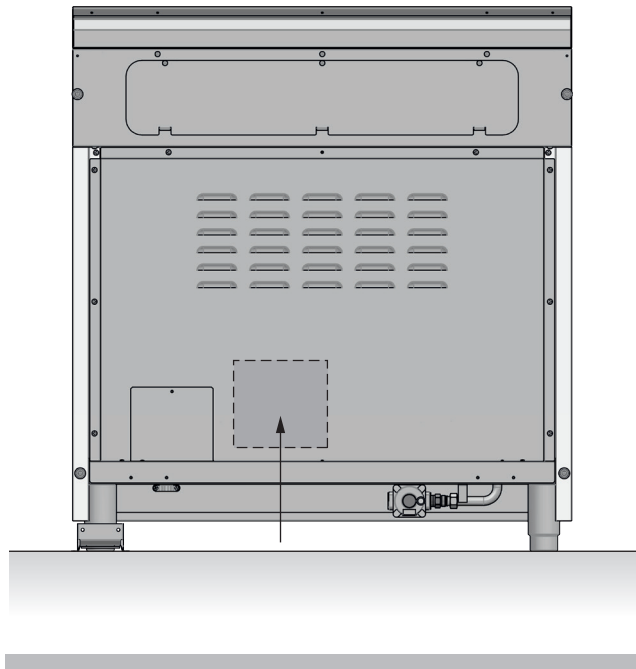
Este aparato ha sido diseñado para ser utilizado con el regulador de presión que se suministra con el aparato. Debe ser instalado en el conducto del gas delante de la entrada de la válvula distribuidora. El aparato ha sido diseñado para utilizarse con gas natural. Si desea utilizarlo con gas LP, debe efectuar una conversión, tal y como se describe en "Conexión del gas".

Este aparato ha sido diseñado para funcionar con una presión de 5 pulgadas de c.d.a. de gas natural o, en caso de convertirse para un uso con gas LP (propano o butano), 10 pulgadas de c.d.a. Asegúrese de que este electrodoméstico le es entregado adaptado al tipo de gas con el que lo va a utilizar. Este aparato ha sido preparado en fábrica para su uso con gas natural. Si desea utilizarlo con un tipo de gas diferente, antes de hacerlo, deberá ponerse en contacto con un técnico cualificado que tendrá que seguir los pasos de conversión. La presión de suministro de gas natural al regulador de presión debería encontrarse entre 6 y 14 pulgadas de columna de agua o, en caso de que el electrodoméstico haya sido convertido al uso con gas LP, deberá encontrarse entre 11 y 14 pulgadas.

REQUISITOS DEL SUMINISTRO DE GAS	
GAS NATURAL	WC
Presión del suministro de gas	5" (12.5 mb)
Presión mínima de la línea	6" (15 mb)
Presión máx. de línea	14" (34.9 mb) WC, .5 psi (3.5 kPa)

GAS LP	WC
Presión del suministro de gas	10" (25 mb)
Presión mínima de la línea	11" (27.4 mb)
Presión máx. de línea	14" (34.9 mb) WC, .5 psi (3.5 kPa)

LOCALIZACIÓN DE LA ETIQUETA DE GAS



IMPORTANTE

NO REUTILICE CONECTORES VIEJOS CUANDO INSTALE ESTA ESTUFA.

Para reducir el riesgo o la posibilidad de fugas de gas, aplique cinta de teflón o materiales homologados para su uso con gas natural o LP en todas las conexiones de rosca. Aplique un fluido no corrosivo de detección de fugas en todas las juntas y acoples de la conexión de gas entre la válvula de cierre de la línea de suministro y la entrada de la estufa. Revise periódicamente el sistema para detectar posibles fugas. Si aparecen burbujas alrededor de los acoplamientos y conexiones, quiere decir que hay una fuga. En caso de que ocurra, cierre la válvula de cierre de la línea de suministro, apriete las conexiones, abra la válvula de cierre de la línea de suministro y vuelva a examinar el sistema en busca de fugas. No utilice nunca una cerilla o una llama para comprobar si hay fugas de gas.

NUNCA APRIETE A MÁS DE 35 pies-libras DE TORQUE



ATENCIÓN

Do not attempt to attach the flexible connector directly to an external pipe thread.

Instalaciones en el Estado de Massachusetts:

1. La válvula de cierre debe ser una con conexión en "T".
2. El conector flexible de gas no debe medir más de 36 pulgadas de largo.
3. El producto no está homologado para ser instalado en dormitorios o baños a no ser que se predisponga una instalación de ventilación directa.

Prueba de Presión

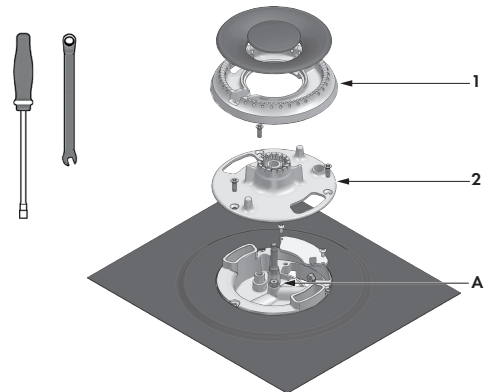
El aparato se debe desconectar del sistema de tuberías que suministran el gas cerrando la válvula manual individual de cierre siempre que se realice cualquier prueba de presión en dicho sistema en la que las presiones de comprobación sean equivalentes o inferiores a 1/2" PSIG (3.5 kPa).

El aparato, así como la válvula individual de cierre, deben desconectarse del sistema de tuberías del suministro de gas durante cualquier prueba de presión realizada en dicho sistema en la que las presiones de comprobación sobrepasen los 1/2" PSIG (3.5 kPa).

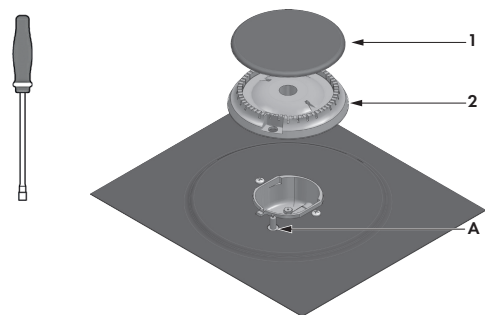
Cuando compruebe el funcionamiento del regulador, asegúrese de que la presión de suministro de gas natural se encuentre entre 6 y 14 pulgadas de columna de agua o, entre 11 y 14 pulgadas en caso de que el electrodoméstico haya sido convertido al uso con gas LP.

LA PRUEBA DE PRESIÓN DEBERÁ REALIZARSE POR MEDIO DE LA ZONA DE CONEXIÓN DEL INYECTOR

VISTA DESPIEZADA QUEMADOR DOBLE



VISTA DESPIEZADA QUEMADOR INDIVIDUAL



Método de la prueba de presión

- Retire la parrilla y la tapa del quemador (1).
- Retire el difusor del gas de aluminio (2).
- Retire provisionalmente los inyectores (A).
- Conecte el instrumento de prueba de presión en la zona roscada del soporte del inyector (M6x0.75).
- Controle que la placa de cocción tiene la presión correcta.
- Sujete el inyector que había quitado para hacer la prueba y vuelva a colocar las piezas en la posición correcta.

Conexión del Gas

- Conecte el regulador de presión del aparato con la conexión macho de 1/2" (ambos se suministran con el aparato).
- Conecte el regulador de presión a las roscas de entrada de la válvula distribuidora de gas con las juntas que se suministran con el electrodoméstico. El regulador está marcado con una flecha que le indicará la dirección correcta del flujo de gas. Asegúrese de que el regulador del electrodoméstico está instalado con la flecha señalando hacia la entrada de la válvula distribuidora de gas y asegúrese también de que la parte superior del regulador está dirigida hacia la parte frontal del armario, de forma que se pueda acceder a ella fácilmente desde las puertas del armario.
- Conecte al suministro de gas una válvula de cierre que se encuentre en un lugar accesible para poder cerrar o abrir con facilidad el suministro de gas del electrodoméstico.
- Instale un acoplamiento entre el regulador y la válvula de cierre para completar la conexión.
- Asegúrese de que las juntas de conexión de los tubos del gas estén bien apretadas.
- Compruebe la alineación de las válvulas después de conectar la placa de cocción al suministro de gas, para asegurarse de que la tubería de distribución no se ha movido.

INSTALACIONES ALTERNATIVAS PARA CONECTAR EL ELECTRODOMÉSTICO AL SUMINISTRO DE GAS LA CONEXIÓN DEL SUMINISTRO DE GAS DEBE SER EFECTUADA POR UN TÉCNICO CUALIFICADO O UN INSTALADOR DE ELECTRODOMÉSTICOS DE GAS. La prueba de fugas debe ser llevada a cabo por el instalador, que tendrá que seguir las instrucciones suministradas.

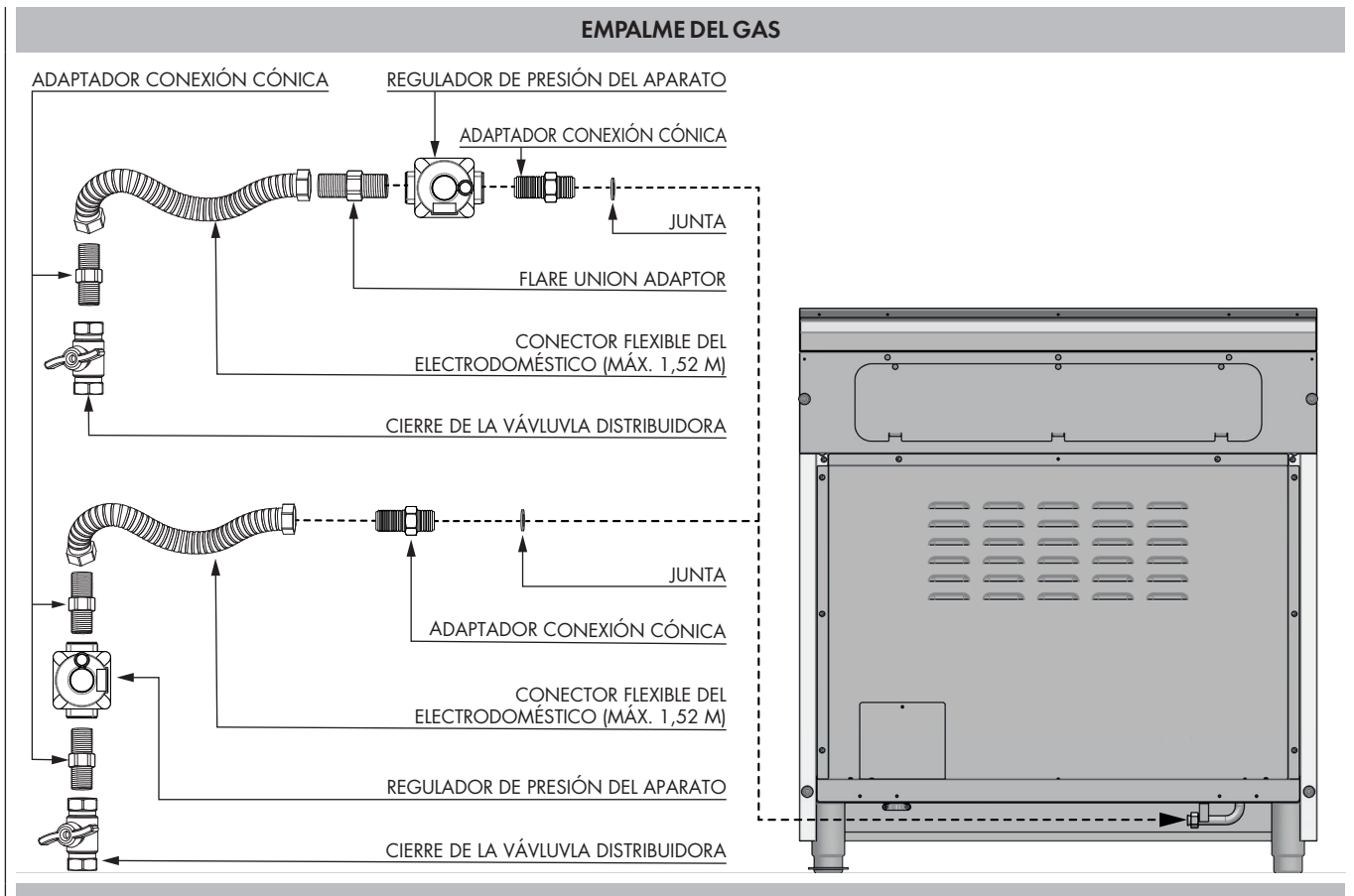
Excepto en caso de estar prohibido por las normativas locales u ordenanzas, para conectar este electrodoméstico al suministro de gas, puede utilizar un conector flexible de metal con certificación A.G.A. El conector debe tener un diámetro interior nominal no inferior al de una tubería de 1/2 NPT y no debe medir más de 1.52 m de largo. En cada extremo del conector se requiere un adaptador de conexión cónico 1/2 NPT x 1/2. Si utiliza un conector flexible, asegúrese de que el regulador de presión del aparato y la válvula de cierre estén firmemente unidos a otras tuberías sólidas permanentes (ya sean del suministro de gas o de la entrada del electrodoméstico), de forma que queden bien fijas y estables.

ATENCIÓN

No intente acoplar un conector flexible a una rosca externa. Para efectuar la conexión es necesario utilizar adaptadores de conexión cónica

Instalaciones en el Estado de Massachusetts:

1. La válvula de cierre debe ser una con conexión en "T".
2. El conector flexible de gas no debe medir más de 36 pulgadas de largo.
3. El producto no está homologado para ser instalado en dormitorios o baños a no ser que se predisponga una instalación de ventilación directa.



Conversión del Electrodoméstico para su Uso con Gas LP

ADVERTENCIA

La conversión a propano debe ser efectuada por un **INSTALADOR CUALIFICADO** (o una agencia homologada) de acuerdo con las instrucciones del fabricante y con las normas y requisitos de la autoridad pertinente. La inobservancia de tales instrucciones podría derivar en graves lesiones o en daños a la propiedad. La agencia homologada que lleva a cabo la conversión asume la responsabilidad de la operación.

ATENCIÓN

Antes de proceder con la conversión, desconecte el suministro de gas del aparato antes de desconectar la energía eléctrica.

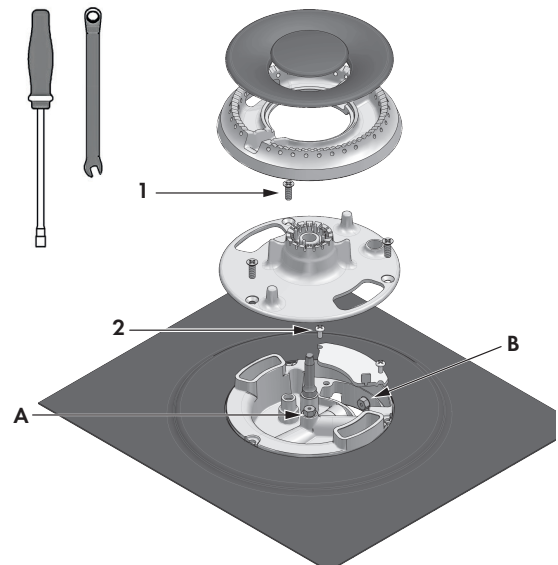
El equipo ha sido configurado en fábrica para su uso con gas natural. Si desea efectuar la conversión para utilizarlo con gas LP (propano o butano), debe llevar a cabo las siguientes modificaciones:

La etiqueta de conversión de gas (aluminio) debe colocarse en la parte posterior del aparato, cerca de la placa de datos, tras haber realizado la conversión;

Sustitución de los inyectores (quemadores de doble corona de combustión)

1. Quite las rejillas y las tapas de los quemadores
2. Quite los difusores de gas de aluminio
3. Quite los tres tornillos del difusor del gas (1)
4. Quite los dos tornillos de la tapa del inyector (2)
5. Suelte el inyector (A) girando el desarmador 9-32" (7 mm) hacia la izquierda en sentido antihorario;
6. Suelte el inyector girando la llave de estrecha (B) 9-32" (7 mm) hacia la izquierda en sentido antihorario
7. Instale los inyectores en dotación con estos electrodomésticos en los quemadores apropiados. Los inyectores tienen un pequeño número grabado en un lado; este número codifica el diámetro del orificio y la correcta colocación del quemador (consultar las imágenes en la sección "Posición de los inyectores").
8. Gire a la derecha en sentido horario para apretar (apriete con un par de 15 a 20 pulgadas-libras)
9. Sustituya todas las piezas siguiendo el orden al contrario
10. Conserve los inyectores que ha quitado del electrodoméstico para un uso futuro.

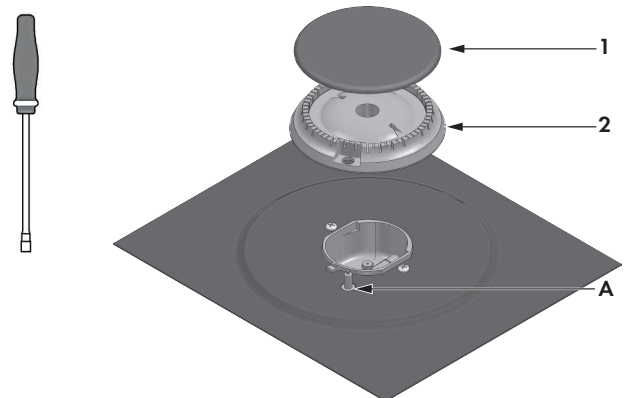
VISTA DE LAS PIEZAS DEL QUEMADOR



Sustitución del inyector (una corona de llama o quemadores)

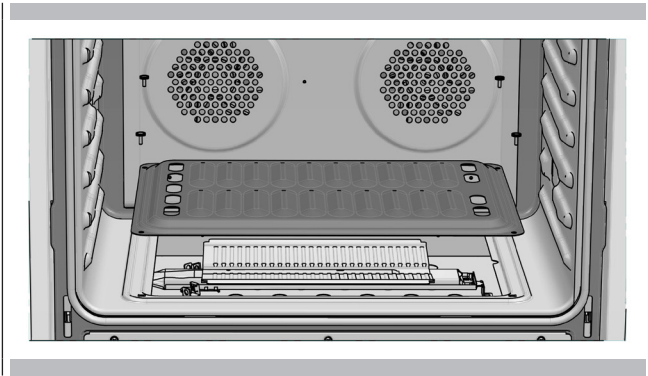
1. Quite las rejillas y las tapas de los quemadores
2. Quite los difusores de gas de aluminio
3. Suelte el inyector girando el desarmador 9-32" (7 mm) hacia la izquierda en sentido antihorario
4. Instale los inyectores en dotación con estos electrodomésticos en los quemadores apropiados. Los inyectores tienen un pequeño número grabado en un lado; este número codifica el diámetro del orificio y la correcta colocación del quemador (ver figura en página 19).
5. Gire a la derecha en sentido horario para apretar (apriete con una torsión de 15 a 20 pulgadas-libras)
6. Sustituya todas las piezas siguiendo el orden al contrario
7. Conserve los inyectores que ha quitado del electrodoméstico para un uso futuro

EXPLODED VIEW SINGLE BURNER

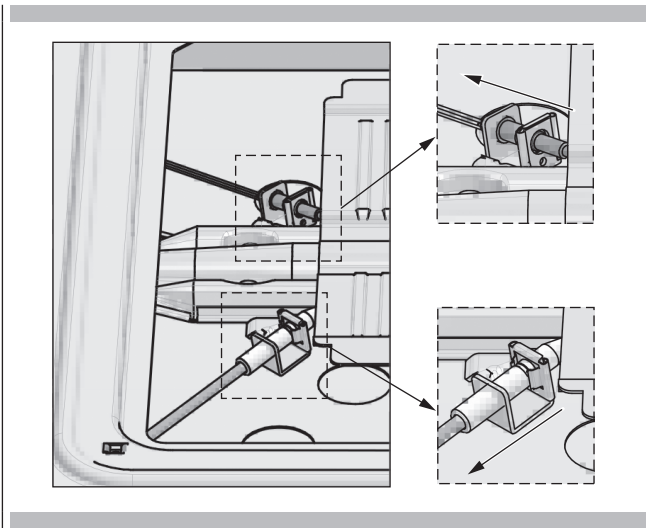


Sustitución inyector (quemador inferior del horno)

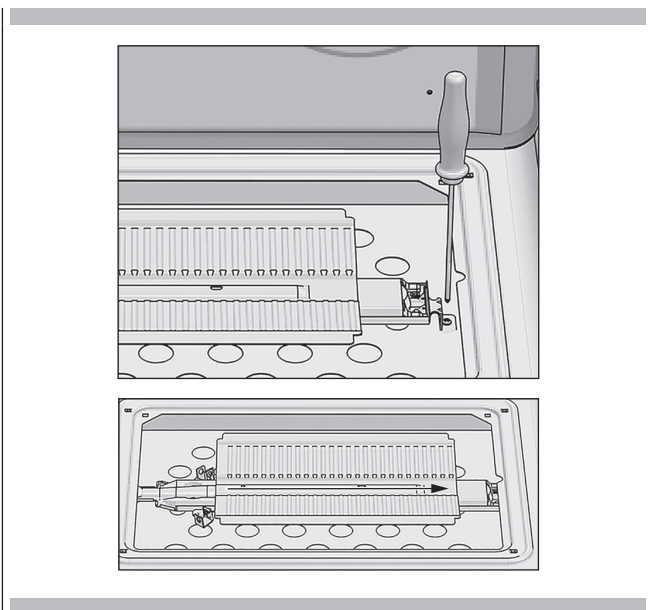
1. Retirar la placa de cobertura del quemador.



2. Desconectar el detector de calor y la bujía de encendido.



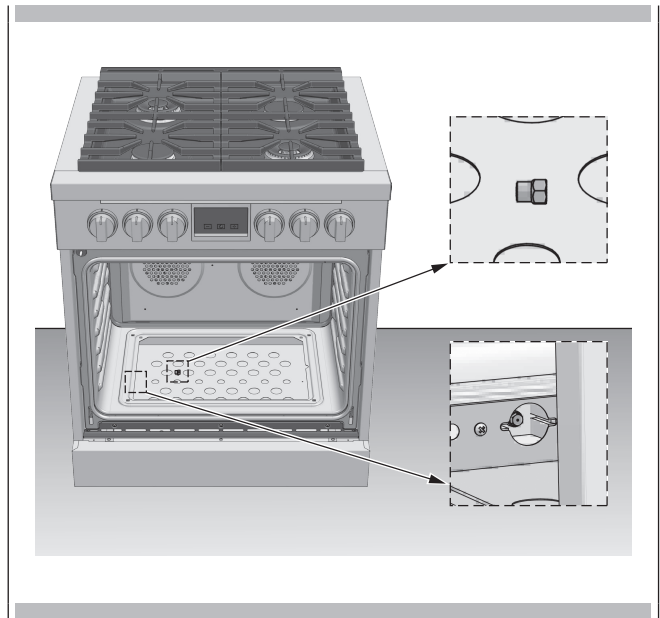
3. Quitar el tornillo que sujeta el quemador del horno y retirar el quemador del soporte.



4. Retirar la boquilla con una llave de tuercas 9-32" (7 mm) girando en el sentido antihorario

5. Instalar los inyectores suministrados con los dispositivos en el quemador correspondiente. En los inyectores se encuentra un número impreso en la parte lateral; este número corresponde al diámetro del orificio y a la posición correcta en el quemador (véase figura "Posición inyectores").

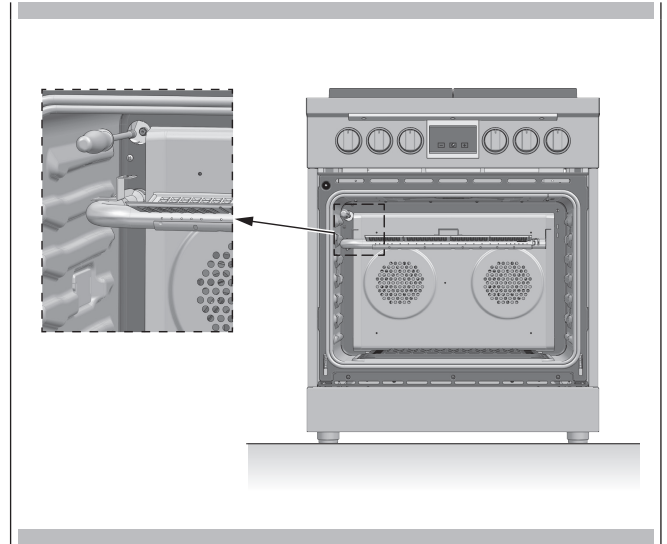
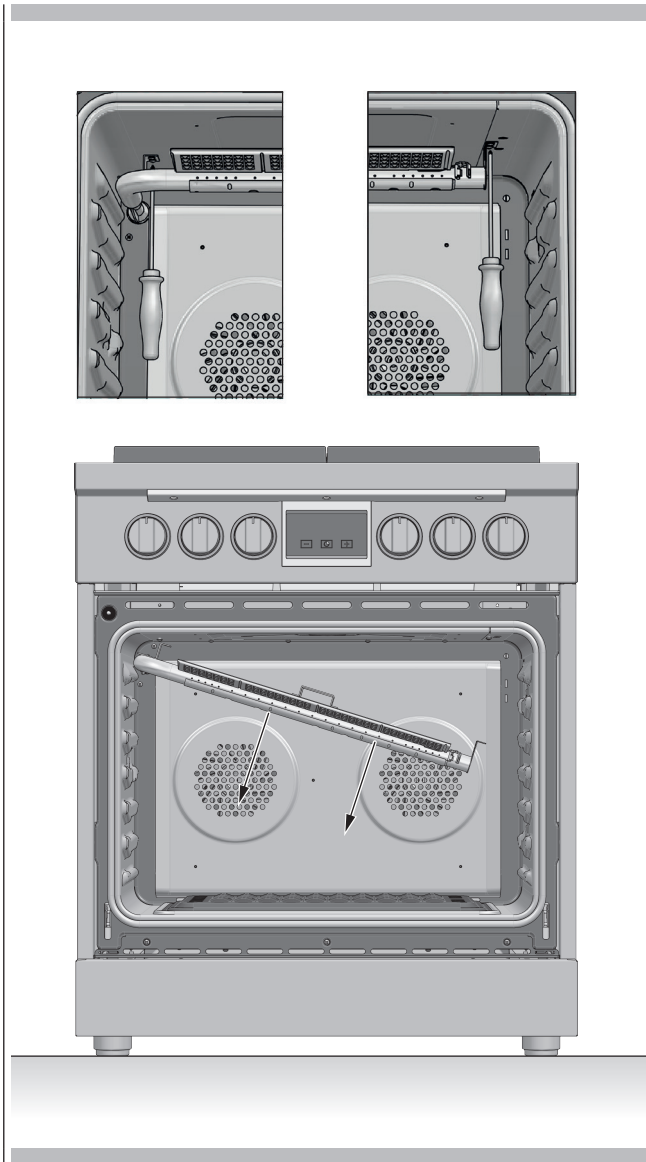
6. Girar en el sentido horario para apretar (apretar a 15-20 inch-lbs)



7. Volver a colocar todos los elementos procediendo en el orden inverso. **Guardar los inyectores desmontados de los dispositivos para utilizarlos en el futuro si fuera necesario.**

Sustitución inyector (quemador grill del horno)

1. Retirar la puerta procediendo tal como se indica en el apartado "Desmontaje puerta".
2. Quitar los tornillos que sujetan el quemador del grill y retirar el quemador del soporte.
3. Retirar la boquilla con una llave de tuercas 9-32" (7 mm) girando en el sentido antihorario



4. Instalar los inyectores suministrados con los dispositivos en el quemador correspondiente. En los inyectores se encuentra un número impreso en la parte lateral; este número corresponde al diámetro del orificio y a la posición correcta en el quemador (véase figura "Posición inyectores").
5. Girar en el sentido horario para apretar (apretar a 15-20 inch-lbs)
6. Volver a colocar todos los elementos procediendo en el orden inverso y teniendo cuidado de colocar correctamente el quemador.
7. Guardar los inyectores desmontados de los dispositivos para utilizarlos en el futuro si fuera necesario.

Realizar la conversión del regulador de presión observando la posición LP/Propano para terminar la conversión.

Después de haber sustituido los inyectores ajuste los quemadores de combustión (véase "Graduación de la llama baja"). Controle el aspecto de la llama de todos los quemadores en los ajustes de HI-LO, si la llama es demasiado grande o demasiado pequeña, asegúrese de haber seguido todos los pasos correctamente.

Conversión de los Electrodomesticos para Utilizarlos con Gas NG

Este electrodoméstico puede adaptarse al gas NG (gas natural) y para ello es preciso realizar cada una de las siguientes modificaciones.

1. Conmutar el regulador de presión en la posición NG conformemente con las indicaciones de la sección "Conversión del regulador de presión".
2. Sustituya todos los inyectores siguiendo los pasos que se describen en la página anterior, observando los números grabados a un lado; estos números codifican el diámetro de los orificios y dan la correcta localización de los quemadores (consultar las imágenes en la sección "Posición de los inyectores").
3. Ajuste la llama del quemador (véase "Graduación de la llama baja")

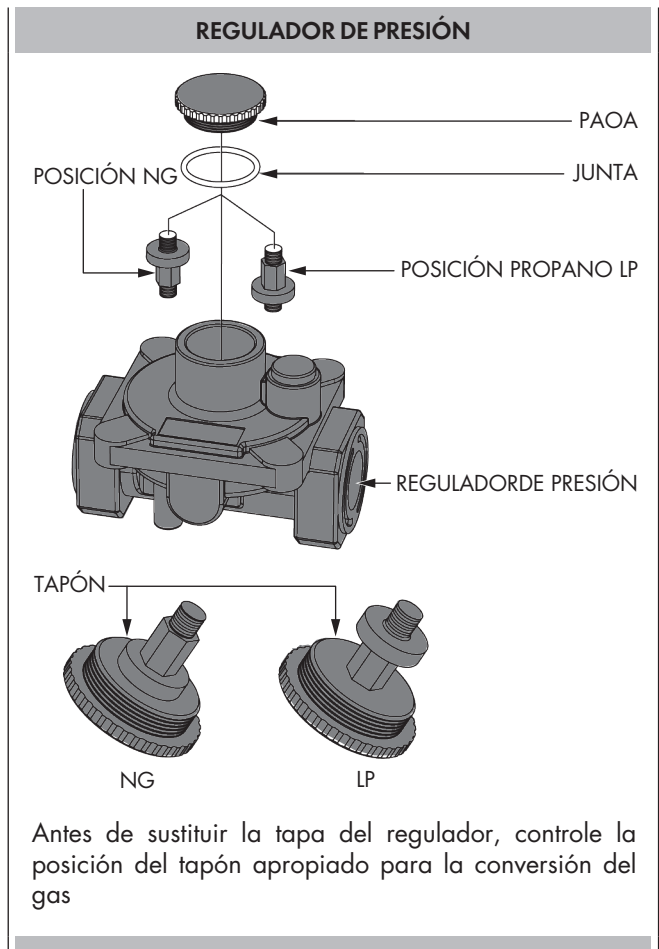
Controle el aspecto de la llama de todos los quemadores en los ajustes, si la llama es demasiado grande o demasiado pequeña, asegúrese que ha seguido todos los pasos correctamente.

Conversión del Regulador de Presión

El dispositivo ha sido concebido para ser utilizado con gas NG o LP. Se suministra el regulador de presión de gas. Debe instalarse en la línea de entrada del gas delante del colector entregado con el aparato. Para la utilización con otro gas diferente, es necesario convertir el dispositivo.

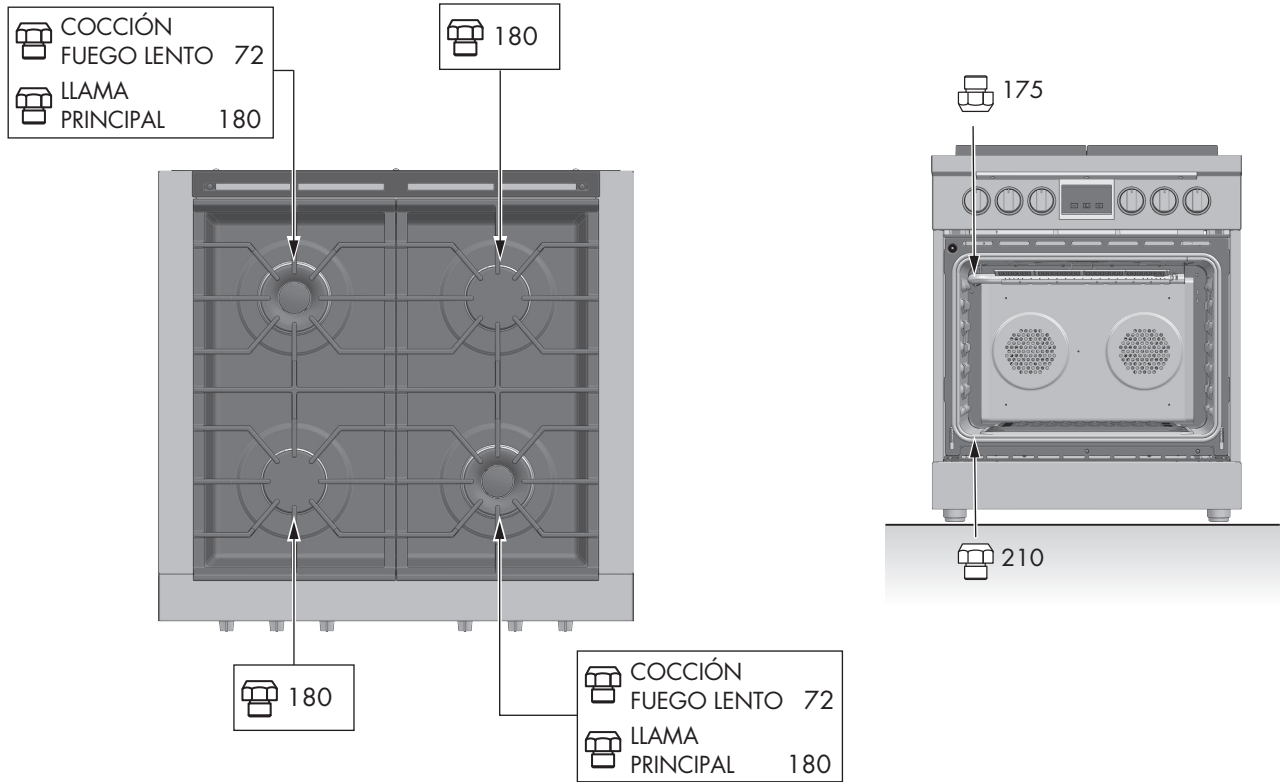
Para convertir el regulador de presión siga las instrucciones que se recogen a continuación:

- Desconecte todos las alimentaciones eléctricas y el interruptor de seguridad principal o la caja de fusibles.
- Desconecte el suministro del gas de la placa de cocina cerrando la válvula de cierre manual.
- Ajuste el regulador de presión siguiendo las siguientes instrucciones (véase la figura)
 1. Desenrosque la tapa del regulador
 2. Desenrosque el tapón de conversión de plástico de la tapa girando por encima y por detrás del tornillo (sección transversal de la tapa para LP contra la tapa para NG). Véase las figuras de abajo.
 3. Cambiar el tapón del regulador teniendo cuidado de colocar bien la junta.

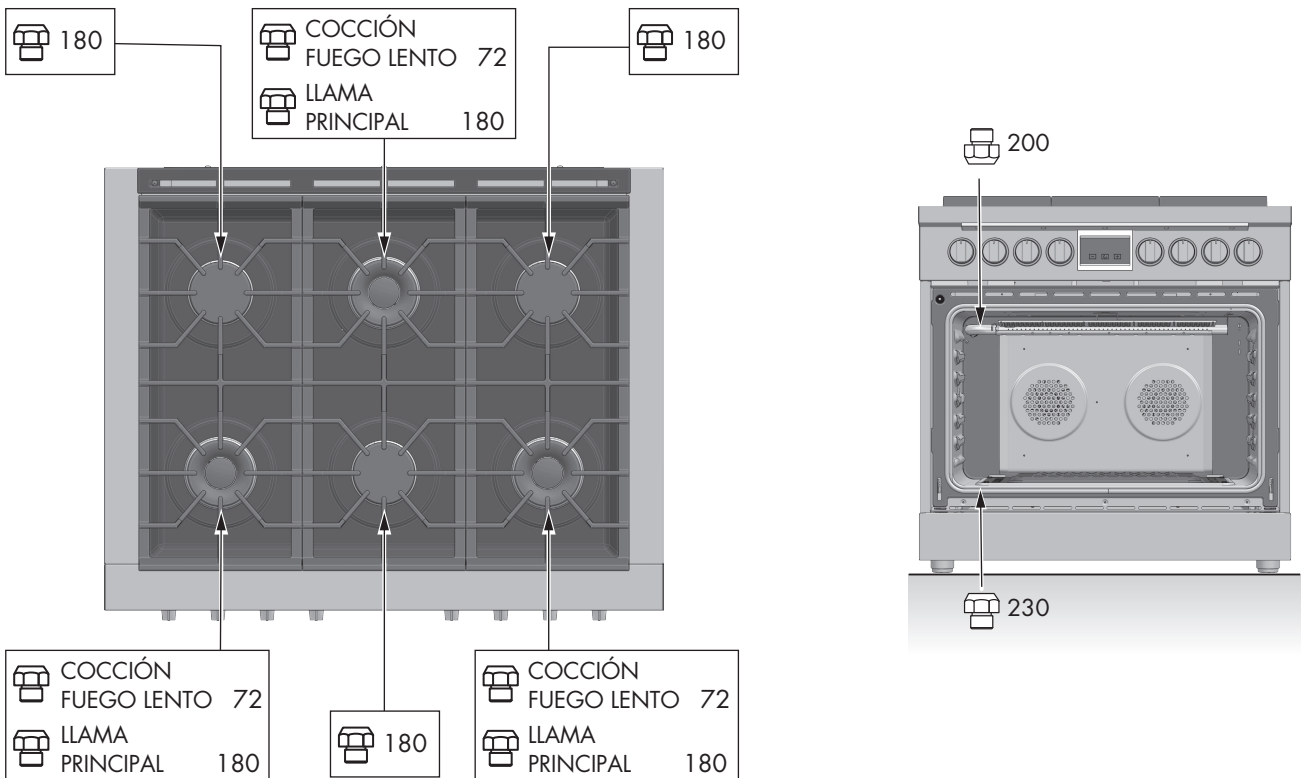


POSICIÓN DE LOS INYECTORES

NG- DOBLE CORONA DE COMBUSTIÓN 30"





NG- DOBLE CORONA DE COMBUSTIÓN 36"




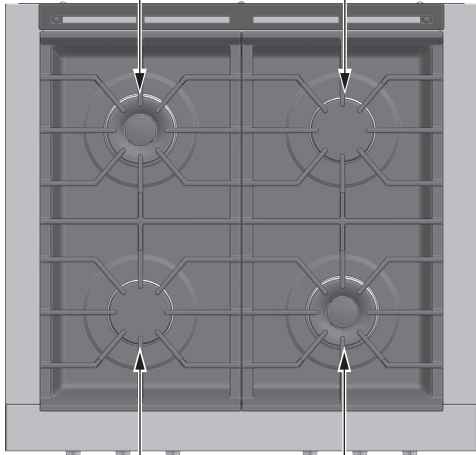
* depende del modelo

POSICIÓN DE LOS INYECTORES



LP- DOBLE CORONA DE COMBUSTIÓN 30"

 COCCIÓN
 FUEGO LENTO 50
 LLAMA
 PRINCIPAL 105

 105



 105

 COCCIÓN
 FUEGO LENTO 50
 LLAMA
 PRINCIPAL 105

 110



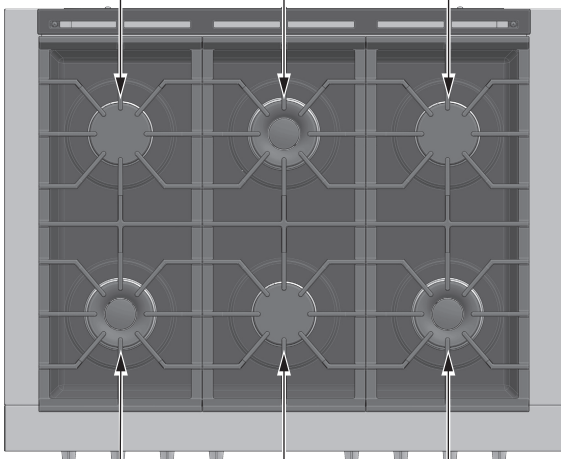
 125



LP- DOBLE CORONA DE COMBUSTIÓN 36"

 105



 COCCIÓN
 FUEGO LENTO 50
 LLAMA
 PRINCIPAL 105

 105

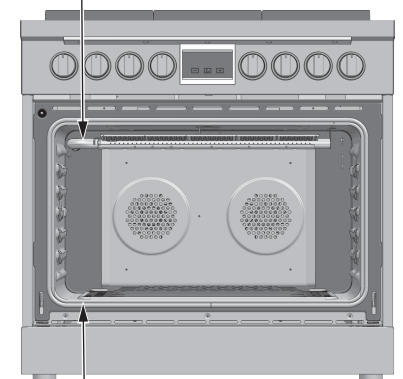


 COCCIÓN
 FUEGO LENTO 50
 LLAMA
 PRINCIPAL 105

 105

 COCCIÓN
 FUEGO LENTO 50
 LLAMA
 PRINCIPAL 105

 120



 140

Graduación de la Llama Baja

PELIGRO

No encienda los quemadores con cerillas: es peligroso. Utilice cerillas para encender los quemadores solo durante una emergencia.

Encienda una cerilla y acerque la llama al quemador que desee encender. Las cerillas más aconsejables son las de madera. Presione y gire el mando lentamente. Asegúrese de que está girando el mando que corresponde al quemador que desea encender.

NOTE: Si el quemador no se enciende a los cinco segundos, gire el mando hasta la posición de apagado y espere un minuto antes de volver a intentarlo.

ADVERTENCIA

Por favor, preste atención cuando trate de medir el cono interior de la llama. Podría quemarse.

La placa de cocción se prepara en fábrica con una configuración de la llama baja y la llama media adaptadas a un uso con gas natural.

Si necesita cambiar la graduación o convertirla a LP, siga este procedimiento:

Ajuste de los quemadores con llama de una sola corona o doble coronas:

1. Encienda el quemador y gire el mando hasta graduar la llama en intensidad baja.
2. Retire el mando del vástago de la válvula.

3. Retire el asiento del mando del panel de mandos.
4. Introducir un destornillador de punta plana en la ranura en el centro del vástago de la compuerta (A o B) e introducir la punta en la ranura del tornillo de regulación.
5. Gire el destornillador dentro del vástago para graduar la intensidad de la llama:
 - gire en el sentido de las agujas del reloj para reducir la llama
 - gire en el sentido contrario a las agujas del reloj para aumentarla
6. Cuando haya acabado, vuelva a colocar el mando.

Ajuste para quemador inferior del horno:

1. Encender el quemador y ajustar el botón de control en la llama baja.
2. Retirar el botón de control del vástago de válvula.

Conversión de gas natural a gas líquido

3. Introducir el destornillador en el orificio que se encuentra en el panel frontal del instrumento y girar el tornillo de regulación A en el sentido horario.

Conversión de gas líquido a gas natural

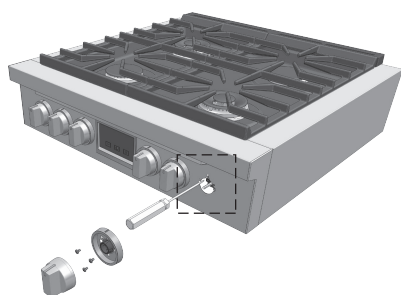
4. Encender el horno con el termostato ajustado a 250 °C durante al menos 10-15 minutos.

Girar entonces el termostato hacia la posición mínima y girar el tornillo de bypass A en el sentido antihorario hasta que la llama se reduzca y esté estable.

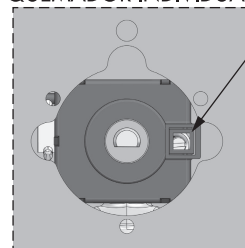
NOTE: Comprobar que la llama no sale cuando se abre y se cierra la puerta del horno varias veces. Si la llama sale, aumentar ligeramente el ajuste del mínimo.

5. Una vez el ajuste terminado, volver a colocar el botón de control.

AJUSTE PARA QUEMADORES PLACA DE COCINA

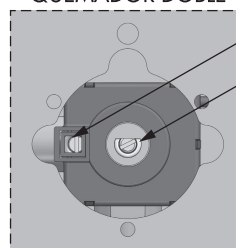


QUEMADOR INDIVIDUAL



LLAMA INDIVIDUAL

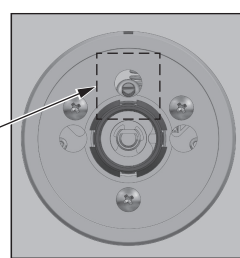
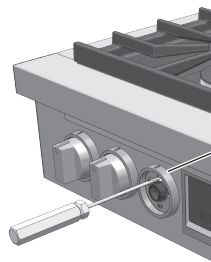
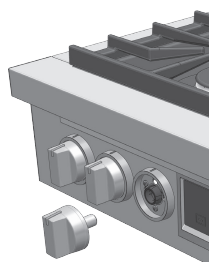
QUEMADOR DOBLE



A QUEMADOR

B LLAMA PRINCIPAL

AJUSTE PARA QUEMADOR INFERIOR DEL HORNO



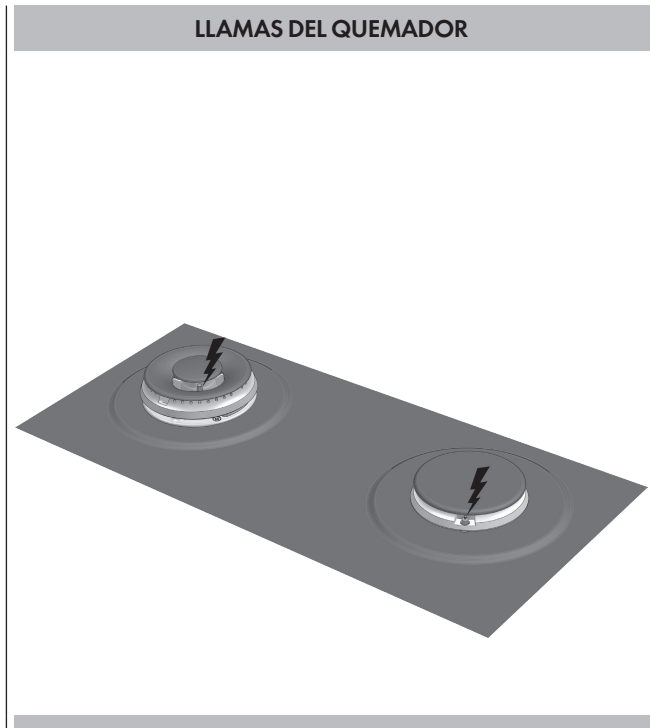
Si ha realizado el ajuste de manera correcta, obtendrá una llama azul estable de intensidad mínima. El último paso para comprobar que ha hecho bien el ajuste de la graduación es girar el mando de la intensidad más alta a la más baja varias veces, sin apagar la llama. El ajuste que ha efectuado en la llama baja le proporcionará automáticamente el ajuste adecuado de la llama media. Una vez completados los pasos de conversión, compruebe la llama de todos los quemadores con el mismo procedimiento: pasando de la intensidad máxima a la mínima.

Si la llama le parece demasiado fuerte o demasiado débil, repita los pasos de conversión para asegurarse de que los ha seguido correctamente.

NOTA: Para obtener el ajuste mínimo correcto con gas LP, gire en el sentido horario un destornillador de hoja delgada introducido en la cavidad correspondiente al centro del vástago hasta apretar a fondo la válvula. (A o B)

Ignición eléctrica del gas

Los quemadores de gas están provistos de un dispositivo eléctrico de encendido cerca de cada quemador para garantizar que los quemadores se encienden automáticamente.



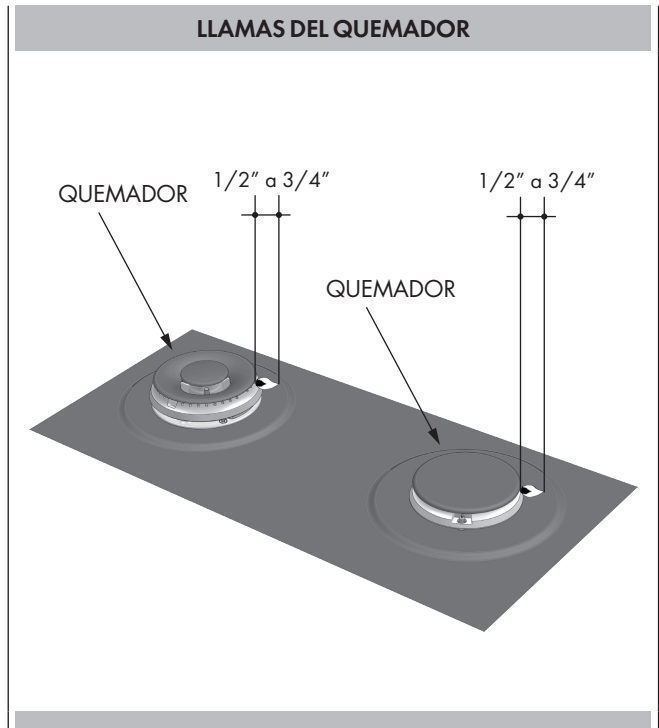
Ver el Manual de uso & mantenimiento para una explicación mejor del funcionamiento de la placa de cocción.

Las llamas del quemador

Encienda todos los quemadores. Las llamas deberían ser de color azul con un toque de amarillo.

No deberían agitarse o alejarse del quemador.

El cono interior de la llama debería ser de entre 1/2" (1.2 cm) y 3/4" (1.9 cm) de largo.



Information Général

Este electrodoméstico debe suministrarse con la tensión y la frecuencia adecuadas y debe conectarse a un circuito individual con una toma de tierra, protegido por un interruptor de circuito o por fusibles, que tenga la tensión de corriente indicada en la placa de datos técnicos del aparato. Le recomendamos que contacte con un electricista cualificado para que lleve a cabo la conexión de la estufa. Cuando el electricista haya finalizado la instalación de la estufa, haga que le muestre dónde puede desconectarla. Controle con la empresa de servicio público local las normativas que se aplican en su área. Si no instala la estufa de acuerdo con las normativas vigentes, podría provocar situaciones de peligro. Si no hubiera normativas al respecto, la estufa debe instalarse en conformidad con el Código eléctrico americano (National Electrical Code), ANSI/NFPA n. 70 (última edición).

Puede solicitar una copia a:

National Fire Protection Association

Battery march Park

Quincy. MA 02269

En Canadá, la instalación de esta estufa debe cumplir con las normativas del Código eléctrico canadiense (Canadian Electrical Code). Asegúrese de que la instalación de este producto en una casa móvil cumple con el Título 24 CFR, sección 3280 de las Normas de seguridad y construcción de viviendas prefabricadas o móviles estadounidenses (Manufactured Home Construction and Safety Standards). Si estas normas no son aplicables, debe cumplir las normas para casas prefabricadas: Manufactured Home Installations, ANSI A225.1 y Manufactured Home Installations, Sites and Communities y ANSI/NFPA 501 A o bien las normas locales vigentes.

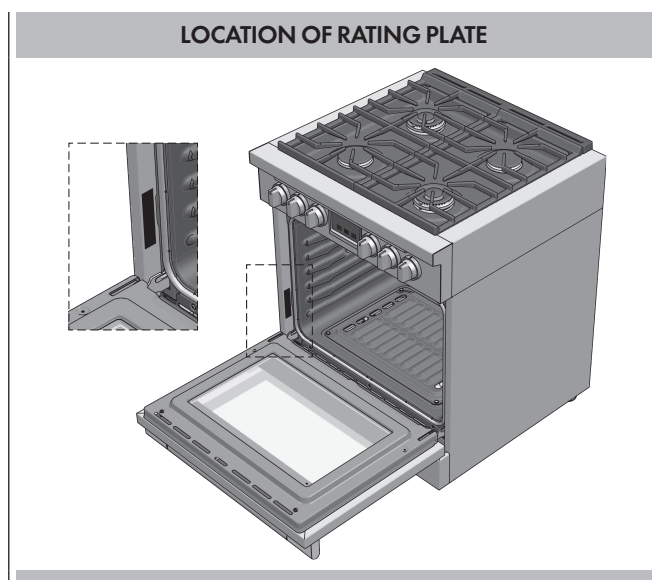
Puede solicitar una copia de la norma US Federal Standard en:

Office of Mobile Home Standards

HUD Building

451 7th Street, S.W.

Washington, D.C. 24010



Conexión Eléctrica

Para utilizar las partes eléctricas de la estufa es necesario que estén conectadas a un suministro eléctrico y a un enchufe adecuados.



ADVERTENCIA



Peligro de descarga eléctrica.

El aparato debe conectarse a un enchufe de 3 clavijas con toma de tierra.

- No extraiga la clavija de la toma de tierra.
- No utilice un adaptador.
- No utilice alargadores.

La inobservancia de estas instrucciones puede derivar en muerte, incendio o descarga eléctrica.



IMPORTANTE

PARA SU SEGURIDAD PERSONAL ESTE APARATO DEBE ESTAR DEBIDAMENTE CONECTADO A UNA TOMA A TIERRA.

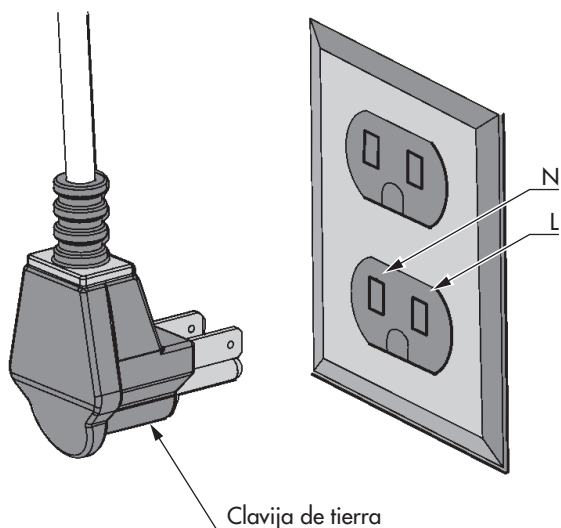
El cable del suministro eléctrico de este aparato está dotado de un enchufe de 3 clavijas (con toma de tierra) que debe utilizarse con un enchufe de pared con toma de tierra (3 agujeros) y con una tensión doméstica estándar de 120 V y una frecuencia de 60 Hz. Si no dispone de un enchufe de 3 clavijas con toma de tierra, encargue a un técnico electricista que cambie el enchufe.

Se puede colocar un adaptador de tierra para convertir el enchufe estándar hasta que pueda ser cambiado. El uso del adaptador es una solución temporal.

El electricista deberá probar el enchufe para asegurarse de que cumple los requisitos.

Conexión Eléctrica - Requisitos

No corte o retire la tercera clavija (la toma de tierra) del cable del suministro de energía eléctrica, bajo ninguna circunstancia.

CABLE DE ALIMENTACIÓN CON CLAVIJA**⚠ ADVERTENCIA**

- Si la línea de agua fría se interrumpe con empaques de plástico, no con juntas de estanquidad metálicas, conexiones de unión o materiales aislantes, NO utilice para la puesta a tierra.
- NO conecte a tierra a la tubería del gas.
- NO tenga un fusible en el circuito de NEUTRO o de TIERRA.
- Un fusible en el circuito de NEUTRO o en el de TIERRA puede provocar descargas eléctricas.
- Consulte con un electricista cualificado en el caso de que tenga alguna duda si su aparato está bien conectado a tierra.
- Equivocarse al seguir estas instrucciones puede provocar heridas graves o la muerte.

⚠ PRECAUCIÓN

No repare o reemplace ninguna parte del aparato si no está específicamente recomendado en el manual. Todas las demás operaciones de mantenimiento tiene que realizarlas un técnico cualificado. Para reducir el riesgo de heridas personales o daños al aparato. Nunca modifique o altere la construcción del aparato eliminando paneles, forros de hilos, tornillos o cualquier otra parte del producto.

FULGOR MILANO
