

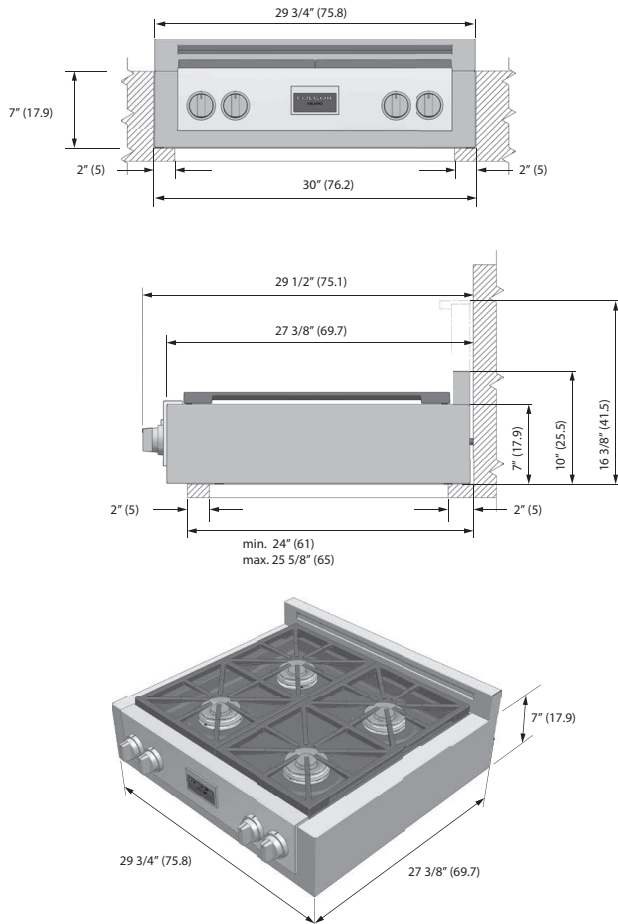
FULGOR MILANO

30" Gas Ranges Top 600 SERIES

Weight & Dimensions

PRODUCT DIMENSIONS

30" Wide Rangetop Models



PACKAGING 30"		lb / inch	Kg / mm
GROSS WEIGHT		99 lb	45 Kg
DIMENSION	W	38 3/4"	984
	D	32 1/8"	817
	H	13 3/8"	340

CUTOUT REQUIREMENTS

If the surface of the entire back wall above the range and below the hood is not composed of a non-combustible material then the 9" accessory back guard must be used.

** NOTE: Ensure your installation also complies with local and national building and fire codes.

OPENING WIDTH	A	B
Rangetop 30"	30" (76.2)	24 1/4 (61.7)

ADDITIONAL CLEARANCES:

For island installation, maintain 2-1/2 in. minimum from cutout to back edge of countertop and 3 in. minimum from cutout to side edges of countertop (see top view).

For island installation, 12" (30.5 cm) minimum clearance back of rangetop to combustible rear wall above countertop. The island installation is not part of the ANSI Z21.1 scope and not certified.

Note: Clearances from non-combustible materials are not part of the ANSI Z21.1 scope and not certified. Clearances to non-combustible materials must conform with local codes or, in the absence of local codes, with the National Fuel Gas Code, ANSI Z223.1/NFPA 54.

*Consult local code for exact location requirements.

Minimum clearances:

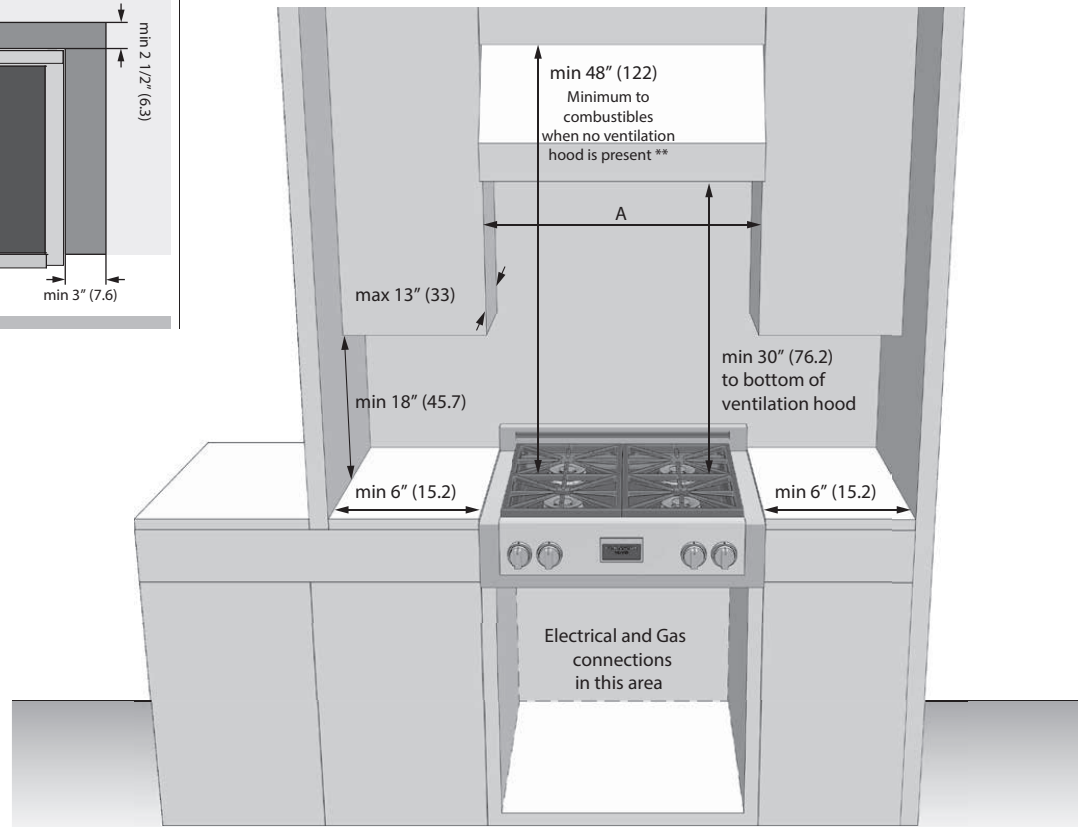
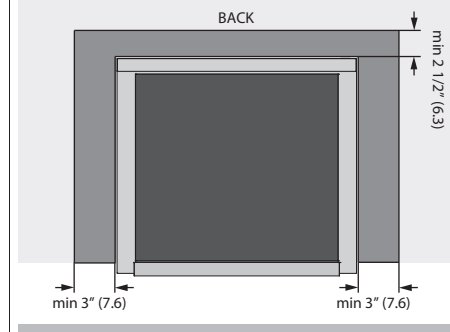
Above cooking surface (above 36" [91.4 cm])

- Sides - 6" (15.2 cm)
- Within 6" (15.2 cm) side clearance, wall cabinets no deeper than 13" (33.0 cm) must be minimum 18" (45.7 cm) above cooking surface
- Wall cabinets directly above product must be a minimum of 48" (122 cm) above cooking surface.
- Rear - 0" with 9" backguard; 0" with non-combustible rear wall.

Below cooking surface (36" [91.4 cm] and below)

Install with zero clearance between adjacent combustible construction below the cooking surface and the back and sides of the appliance.

FLUSH ISLAND INSTALLATION



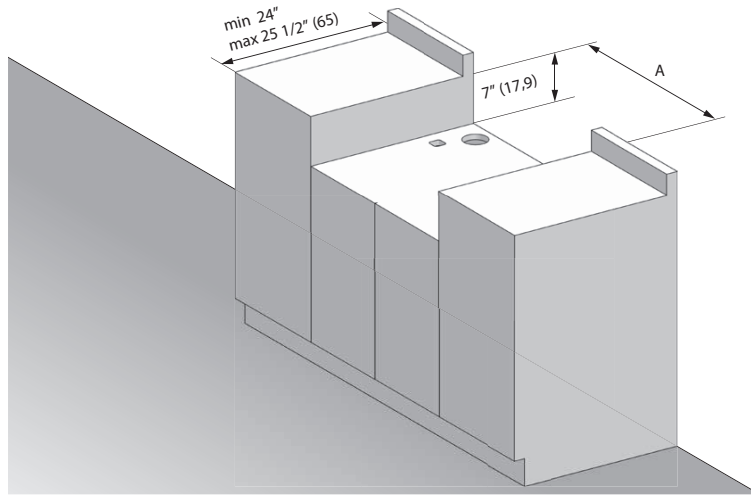
FULGOR

MILANO

30" Gas Ranges Top 600 SERIES

Weight & Dimensions

INSTALLATION ON SOLID SURFACE



INSTALLATION ON OPEN FRAME

