

BUILT-IN WINE CELLAR 24"



CODE ID

24" PROFESSIONAL BUILT-IN WINE CELLAR

F71BW24O1-R



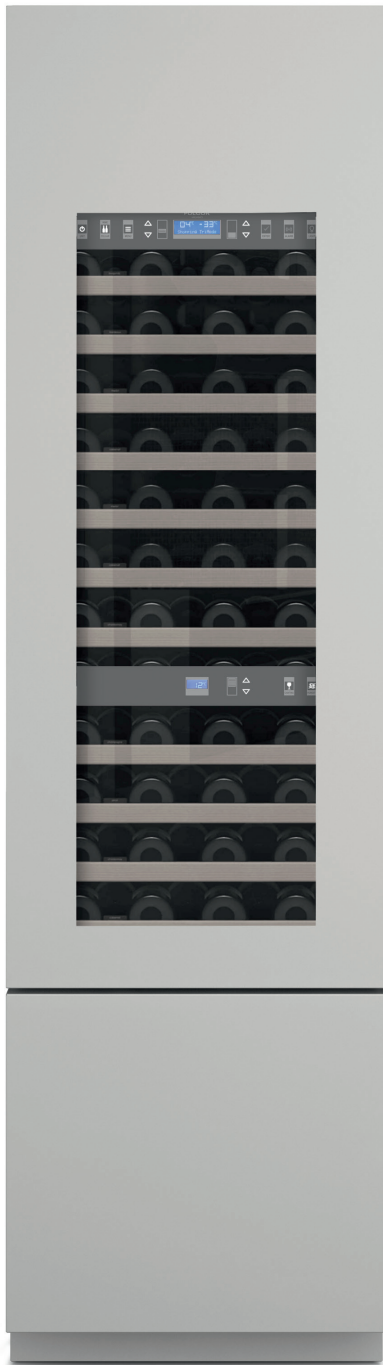
RIGHT DOOR

CODE ID

F71BW24O1-L



LEFT DOOR



Deep-freezing



Hot air ventilation



Rapid Deep Freezing



LED lighting



Noise Level 41 (dB)



Integrated Installation



Holiday Mode



Triple Panel Door



54 Bottles Capacity

WINE CELLAR

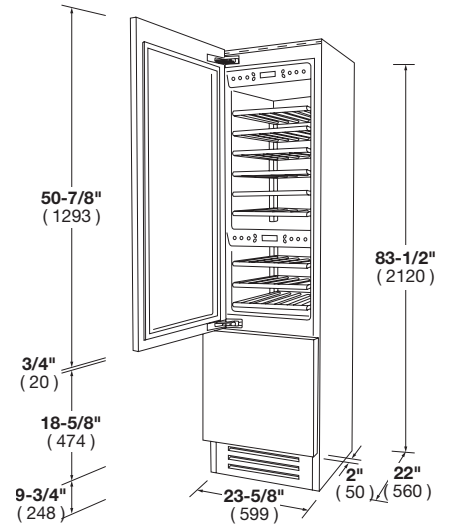
Cave Storage Compartment,
Natural Wood Shelves, for 36 bottles
Wine Celler Compartment,
Natural Wood Shelves, for 18 bottles
TriplePlay Refrigeration
Total No Frost
LED Lighting
Brilliant white aluminium interior
Flexzone Bottom Drawer
Overlay Panel

NOTE:

Handle kit: Distinto Fridge and Wine Cellar handles are to be supplied by installer

DISTINTO

24" BUILT-IN WINE CELLAR



CODE ID	LEFT DOOR	F71BW2401-L 24" BUILT-IN WINE CELLAR	F71BW2401-R 24" BUILT-IN WINE CELLAR	RIGHT DOOR
Series and Finish	Series 700 - Distinto - Overlay Panel			
PERFORMANCES/CAPACITY				
Noise Level db			41	
Riserva Compartment capacity (bottles)			36	
Wine Cellar Compartment capacity (bottles)			18	
Flexzone Bottom-Drawer capacity (cbft)			2	
FEATURES				
Riserva storage compartment				
Natural wood shelves			6	
Wine Cellar Compartment				
Natural wood shelves			3	
Flexzone Bottom-Drawer				
White Painted Drawers			1	
Internal Drawers			1	
LED lighting			•	
Glass door			•	
Equipment				
TriplePlay Refrigeration			•	
No Frost			•	
Flexzone			•	
TruPivot hinges			•	
DIMENSIONS/WEIGHT				
Width in		23 - 5/8"	600 mm	
Height in		83 - 1/2"	(2121 mm)	
Depth without handle in		24"	(610 mm)	
Minimum niche height in		84"	(2134 mm)	
Door clearance in		46"	(1168 mm)	
Door opening angle			105°	
Net Weight		386 lbs	(175 kg)	
POWER / RATINGS (115 V, 60 HZ)				
Watts / Amps			472W - 4.1A	
Power Cable			Nema 5-15P	
INSTRUCTIONS FOR USE				
Use & Care Manual / Installation Manual			English / French / Spanish	