

FULGOR

MILANO



SO FIA

ENDLESS PASSION FOR COOKING

RANGE TOP GAS 30" - 36" - 48"

USE & CARE MANUAL

GUIDE D'UTILISATION ET D'ENTRETIEN

MANUAL DE USO Y CUIDADO



Dear Customer,

Thank you for purchasing a Fulgor Milano product. Fulgor Milano is committed to excellence and our signature technologies provide you with professional tools for your kitchen. One of our central philosophies is continuous investment in research that is rooted in developing life enhancing technology. Our goal is to deliver products that are worthy of your family recipes and that will breathe life into your kitchen, the heart of your home. We invite you to enjoy your new Fulgor Milano product with same amount of care and attention that we have put into creating it.

Your Life | Our Passion

Gianni Nencofetti

TABLE OF CONTENTS	PAGE
1 - Safety Precautions	2
2 - Safety Instructions	4
Warnings for Gas and Electric Installation	4
3 - Features of your Rangetop	5
4 - Features of your Cooktop	6
5 - Gas Cooktop Operation	9
Gas Control Knob Setting	9
Gas burners	9
Burners with two flame rings	9
Super Sealed Surface Burners	10
6 - Gas Cooktop Griddle Operation	11
Electric gas ignition	11
Cooking Tips	12
Griddle Cooking Chart	12
7 - Minute minder	13
Knob of minute minder	13
8 - Cookware	14
Cookware Characteristics	14
Match Pan Diameter to Flame Size	14
9 - Cleaning the Cooktop	15
Cooktop Part / Material Suggested Cleaners	16
10 - Solving Operational Problems	18
11 - Assistance or Service	19
Service Data Record	19

Pay attention to these symbols present in this manual:



WARNING

- This is the safety alert symbol. This symbol alerts you to potential hazards that can kill or hurt you and others.
- You can be killed or seriously injured if you don't follow these instructions.

READ AND SAVE THESE INSTRUCTIONS.



WARNING

If the information in this manual is not followed exactly, a fire or explosion may result causing property damage, personal injury or death.

Do not store or use gasoline or other flammable vapors and liquids in the vicinity of this or any other appliance.

WHAT TO DO IF YOU SMELL GAS

- Do not try to light any appliance.
- Do not touch any electrical switch.
- Do not use any phone in your building.
- Immediately call your gas supplier from a neighbor's phone. Follow the gas supplier's instructions.
- If you cannot reach your gas supplier, call the fire department.

Installation and service must be performed by a qualified installer, service agency or the gas supplier.

IMPORTANT: Save these instructions for the local electrical inspector use.

INSTALLER: Please leave this manual with owner for future reference.

OWNER: Please keep this manual for future reference.



IMPORTANT INSTRUCTION

Please read all instructions before using this appliance.



WARNING

When properly cared for, your new rangetop has been designed to be a safe, reliable appliance. **Read all instructions carefully before using this rangetop. These precautions will reduce the risk of burns, electric shock, fire, and injury to yourself and others. When using kitchen appliances, basic safety precautions must be followed, including the following:**

This appliance must be properly installed and grounded by a qualified technician. Connect only to properly grounded outlet. See "Grounding Instructions" found in the Installation Instructions.

- This appliance should be serviced only by a qualified service technician. Contact the nearest authorized service center for examination, repair or adjustment.
- Do not repair or replace any part of the appliance unless specifically recommended. Refer service to an authorized servicer.
- Do not operate this appliance if it is not working properly or if it has been damaged, until an authorized servicer has examined it.
- Install or locate this appliance only in accordance with the Installation Instructions.
- Use this rangetop only as intended by the manufacturer. If you have any questions, contact the manufacturer.
- Do not cover or block any openings on this appliance.
- Use this appliance only for its intended use as described in this manual. Do not use corrosive chemicals, vapors, or nonfood products in this appliance. This type of appliance is specifically designed to heat or cook. It is not designed for industrial or laboratory use. The use of corrosive chemicals in heating or cleaning will damage the appliance.
- In the event that personal clothing or hair catches fire, **DROP AND ROLL IMMEDIATELY** to extinguish flames.



WARNING

- In the event of a grease fire **SMOTHER FLAMES** with a close-fitting lid, cookie sheet, or other metal tray, then turn off the gas burner.
- **BE CAREFUL TO PREVENT BURNS.** If the flames do not go out immediately, **EVACUATE AND CALL THE FIRE DEPARTMENT.**
- Do not use water, including wet dishcloths or towels on grease fires. A violent steam explosion may result.
- **NEVER PICK UP A FLAMING PAN.** You may be burned.
- **ALWAYS** have a working **SMOKE DETECTOR** near the kitchen.
- **LEAVE THE HOOD VENTILATOR ON** when flambéing food.
- **NEVER** use this appliance as a space heater to heat or warm the room. Doing so may result in carbon monoxide poisoning and overheating the oven.

To reduce the risk of burn injuries during cooktop use, observe the following:

- Children or pets should not be left alone or unattended in an area where appliances are in use.
- Children should never be allowed to sit or stand on any part of the appliance.
- Do not store flammable materials on or near the cooktop.
- When using the cooktop: **DO NOT TOUCH THE BURNER GRATES OR THE IMMEDIATE SURROUNDING AREA.**
- Use only dry potholders; moist or damp potholders on hot surfaces may cause burns from steam.
- Never leave the cooktop unattended when in use.
- Boilovers cause smoking, and greasy spillovers may ignite. A spill on a burner can smother all or part of the flame or hinder spark ignition. If a boilover occurs, turn off burner and check operation. If burner is operating normally, turn it back on.
- During cooking, set the burner control so that the flame heats only the bottom of the pan and does not extend beyond the bottom of the pan.
- Take care that drafts like those from fans or forced air vents do not blow flammable material toward the flames or push the flames so that they extend beyond the edges of the pan.
- Always position handles of utensils inward so they do not extend over adjacent work areas, burners, or the edge of the cooktop.
- Wear proper apparel. Loose fitting garments or hanging sleeves should never be worn while cooking.

- Never let clothing, potholders, or other flammable materials come in contact with hot burners or hot burner grates.
- Use only certain types of glass, heatproof glass ceramic, ceramic, earthenware, or other glazed utensils that are suitable for cooktop use.
- Do not clean the cooktop while it is still hot. Some cleaners produce noxious fumes when applied to a hot surface.

**CAUTION**

Do not allow aluminium foil, plastic, paper or cloth to come in contact with hot burners or grates. Do not allow pans to boil dry.

**CAUTION**

Do not store items of interest to children above the appliance. If children should climb onto the appliance to reach these items, they could be seriously injured.

**WARNING**

Keeping appliance area clear and free from combustible materials, gasoline, and other flammable vapors and liquids.

 WARNING

- For proper lighting and performance of the burners, keep the igniters clean and dry.
- In the event that a burner goes out and gas escapes, open a window or a door. Wait at least 5 minutes before using the cooktop.
- Do not obstruct the flow of combustion and ventilation air.
- Do not use aluminium foil to line any part of the cooktop.
- If the rangetop cookers is near a window, be certain blow over or near the burners; they could catch on fire.

In case of electrical failure

If for any reason a gas control knob is turned ON and there is no electric power to operate the electronic igniter of the cook top, turn OFF all gas control knobs and wait 5 minutes for the gas to dissipate before lighting the burner manually.

To light the burner manually, carefully hold a lighted match to the burner ports and push and turn the gas control knob to HI until it lights and then turn the knob to desired setting.

Warnings for Gas and Electric Installation**In case of Propane gas installation**

The appliance is produced ready for use with natural gas.

It may be converted for use with propane gas using the propane conversion kit supplied with the appliance.

Be sure the unit being installed is correct for the type of gas being used. Refer to the rating plate (see Installation Instructions).

 WARNING

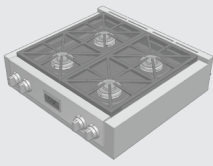
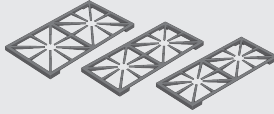
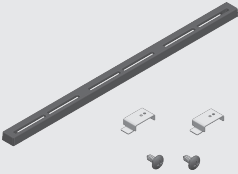
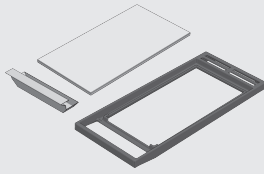
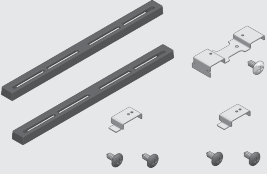
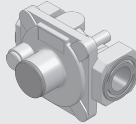

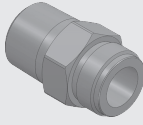
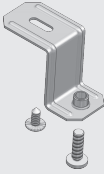
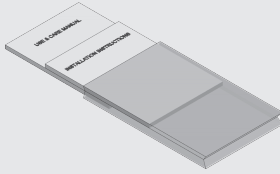
Installation and service must be performed by a qualified installer, service agency or the gas supplier.

 CAUTION

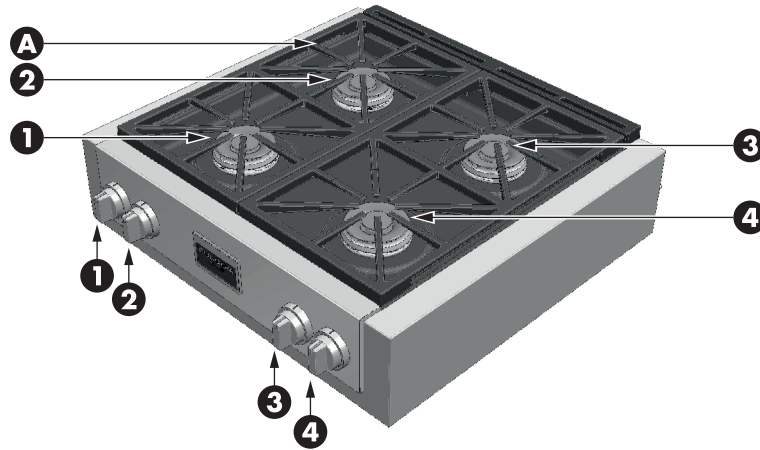
- Always disconnect the electrical plug from the wall receptacle before servicing this unit.
- For personal safety, this appliance must be properly grounded.
- Do not under any circumstances cut or remove the third (ground) prong from the power cord plug..

 CAUTION

When connecting the unit to propane gas, make certain the propane tank is equipped with its own high pressure regulator. In addition, the pressure regulator supplied with the appliance must be on the inlet gas pipe of this unit.

CONTENTS OF YOUR RANGETOP PACK					
	QTY	DESCRIPTION		QTY	DESCRIPTION
	1	RANGETOP COOKER		2	CAST IRON GRATES Psc. FOR 30" RANGE
				3	Psc. FOR 36", 48" RANGE
	1	FOR 30"-36" RANGETOP 1x 1" CAST IRON ISLAND TRIM 2x FIXING SCREWS 2x BRACKETS		1	GRILLE (POUR GAMME 48")
	1	FOR 48" RANGETOP 2x 1" ISLAND TRIM 5x FIXING SCREWS 3x BRACKETS		1	PRESSURE REGULATOR
	1	GASKET / WASHER		1	NIPPLE
	1	FIXING BRACKET		1	MANUAL & GENERAL DOCUMENTATION
				1	"INSTALLATION INSTRUCTIONS"
				1	"USE & CARE"
				1	GAS CONVERSION KIT

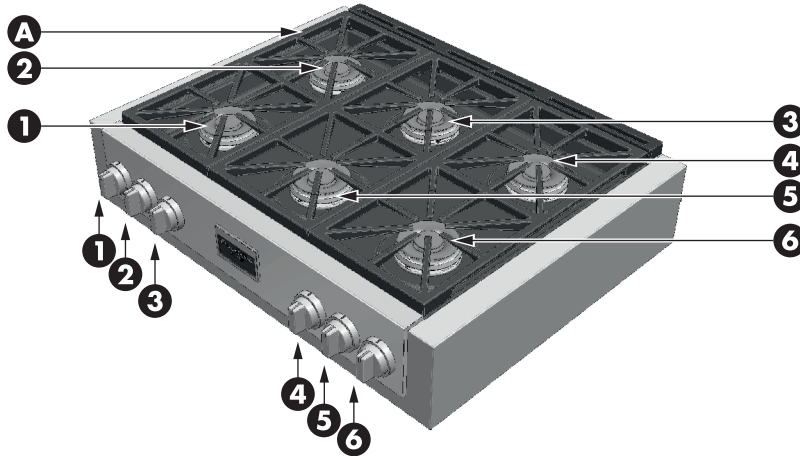
COOKTOP 30"



A - Grates

BURNER OUTPUT RATINGS: BTU/HR	NG (Natural) Gas, 5" W.C.P	LP (Propane) Gas, 10" W.C.P.
1 DOUBLE CROWNS (burner & knob)	750 to 18000 Btu/h (220 to 5300W)	750 to 15000 Btu/h (220 to 4400W)
2 DOUBLE CROWNS (burner & knob)	750 to 18000 Btu/h (220 to 5300W)	750 to 15000 Btu/h (220 to 4400W)
3 DOUBLE CROWNS (burner & knob)	750 to 18000 Btu/h (220 to 5300W)	750 to 15000 Btu/h (220 to 4400W)
4 DOUBLE CROWNS (burner & knob)	750 to 18000 Btu/h (220 to 5300W) 750 to 20000*Btu/h (220 to 5850W)	750 to 15000 Btu/h (220 to 4400W)

COOKTOP 36"

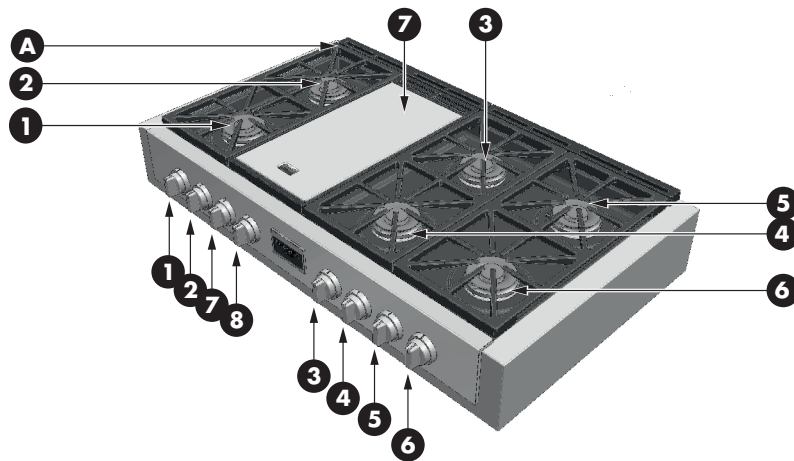


A - Grates

BURNER OUTPUT RATINGS: BTU/HR	NG (Natural) Gas, 5" W.C.P	LP (Propane) Gas, 10" W.C.P.
1 DOUBLE CROWNS (burner & knob)	750 to 18000 Btu/h (220 to 5300W) 750 to 20000*Btu/h (220 to 5850W)	750 to 15000 Btu/h (220 to 4400W)
2 DOUBLE CROWNS (burner & knob)	750 to 18000 Btu/h (220 to 5300W)	750 to 15000 Btu/h (220 to 4400W)
3 DOUBLE CROWNS (burner & knob)	750 to 18000 Btu/h (220 to 5300W)	750 to 15000 Btu/h (220 to 4400W)
4 DOUBLE CROWNS (burner & knob)	750 to 18000 Btu/h (220 to 5300W)	750 to 15000 Btu/h (220 to 4400W)
5 DOUBLE CROWNS (burner & knob)	750 to 18000 Btu/h (220 to 5300W)	750 to 15000 Btu/h (220 to 4400W)
6 DOUBLE CROWNS (burner & knob)	750 to 18000 Btu/h (220 to 5300W) 750 to 20000*Btu/h (220 to 5850W)	750 to 15000 Btu/h (220 to 4400W)

* (on some models)

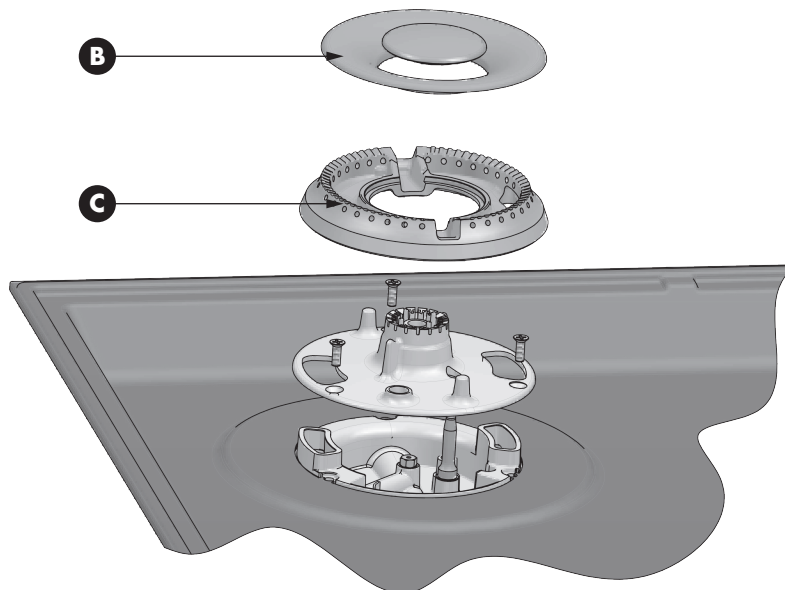
COOKTOP 48"



A - Grates

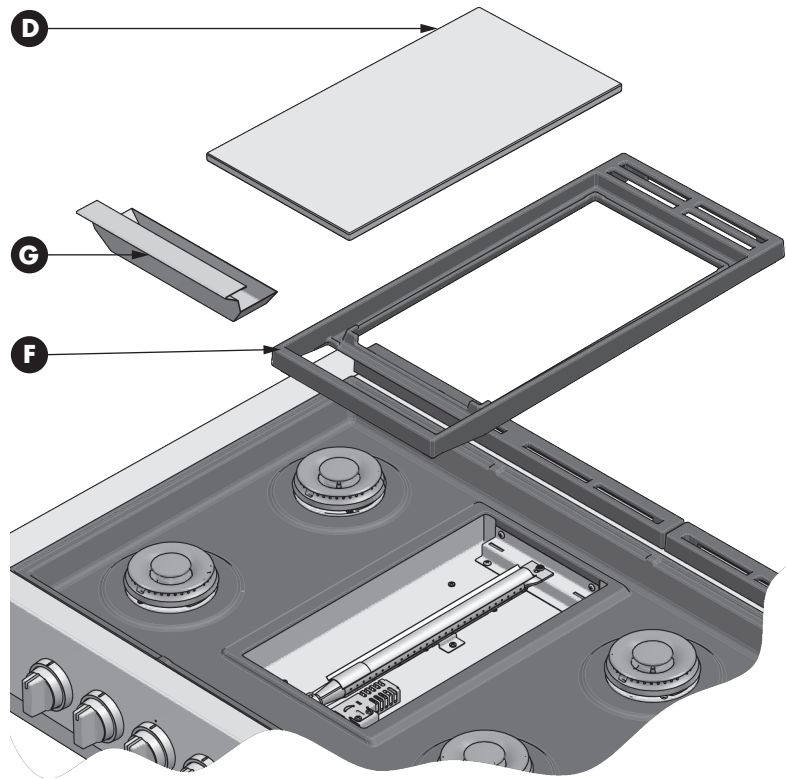
BURNER OUTPUT RATINGS: BTU/HR MODEL 48"	NG (Natural) Gas, 5" W.C.P	LP (Propane) Gas, 10" W.C.P.
1 DOUBLE CROWNS (burner & knob)	750 to 20000 Btu/h (220 to 5850W)	750 to 15000 Btu/h (220 to 4400W)
2 DOUBLE CROWNS (burner & knob)	750 to 18000 Btu/h (220 to 5300W)	750 to 15000 Btu/h (220 to 4400W)
3 DOUBLE CROWNS (burner & knob)	750 to 18000 Btu/h (220 to 5300W)	750 to 15000 Btu/h (220 to 4400W)
4 DOUBLE CROWNS (burner & knob)	750 to 18000 Btu/h (220 to 5300W)	750 to 15000 Btu/h (220 to 4400W)
5 DOUBLE CROWNS (burner & knob)	750 to 18000 Btu/h (220 to 5300W)	750 to 15000 Btu/h (220 to 4400W)
6 DOUBLE CROWNS (burner & knob)	750 to 20000 Btu/h (220 to 5850W)	750 to 15000 Btu/h (220 to 4400W)
7 GRIDDLE (burner & knob)	2000 to 11500 Btu/h (590 to 3370W)	2000 to 11500 Btu/h (590 to 3370W)
8 MINUTE MINDER (knob)	See Knob of minute minder, page 13	

BURNER



- B - Burner Cap**
- C - Burner Gas Spreader**

GRIDDLE

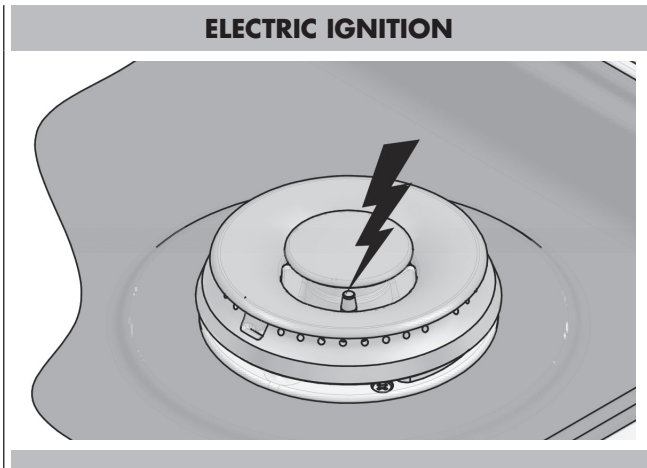


- D - Griddle Plate**
- G - Drip tray**
- F - Griddle Plate support**

Gas Control Knob Setting

Electric gas ignition

The gas burner use an electric ignition device located near each burner that by means a spark igniters ensure its surface light automatically.



Models with automatic re-ignition

The electronic auto re-ignition lights the surface burner when the corresponding control knob is turned at any valve rotation allowing sufficient gas flow to support a flame. If any burner flame goes out for any reason, the igniter automatically sparks to relight the flame.

NOTE: this feature is provided as a convenience and is not intended as a safety feature.

To set:

- Push and turn a knob counter clockwise to any setting, the corresponding spark plugs will generate a clicking sound (spark), the burner will produce a flame and reignite automatically if the flame goes out.

WARNING

- Do not operate a burner using empty cookware or without cookware on the grate.
- Do not touch the burner when the igniters are clicking (sparking).
- Do not let the burner flame extend beyond the edge of the pan.
- Turn off all controls when not cooking.

Failure to follow these instruction can result in personal injury or fire.

Gas burners

The gas burners design of these cooktop models, allow a pleasing option for cooking where size, power and simmering are a primary concern.

Burners with two flame rings

This special burner has two separate flame rings to provide a complete heat regulation from high power to simmering.

To set :

1. Push and turn the knob counter clockwise withing the main HI - LO range, when the burner is turned on, the main flame and the Simmer flame will both ignite and remain on.
2. Set desired temperature within the main HI - LO range.

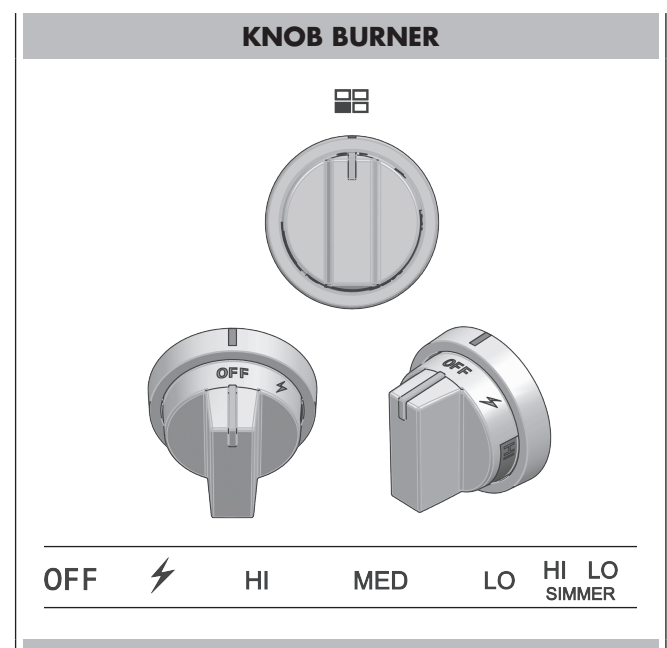
Note: The knob has a designed stop at MED heat setting. To continue to low and / or simmer, push the knob in as you continue to turn counter-clockwise. This method is not required to go from LO / Simmer to OFF.

Simmer setting

Continue turning the knob counter-clockwise to the 'HI-LO SIMMER' range. The outer flame ring will go out and temperature adjustment can be made using the inner flame ring only.

Turning off the burner

Turn the knob clockwise as far as it will go to the off position. Ensure flame extinguishes fully.



The Burner Flames

Turn each burner on. Flames should be blue in color with no trace of yellow. The burner flames should not flutter or blow away from the burner. The inner cone of the flame should be between 1/2" and 3/4" long.

- NOTE:
- Foreign material in the gas line, especially in new construction, may cause an orange flame during initial operation. The orange color will disappear with further use. Small yellow tips on the ends of the flames are normal when using LP gas.
 - If the flame is not even around the edge of the burner, wait for the cooktop to cool and check to make sure the burner is assembled properly

Super Sealed Surface Burners

IMPORTANT

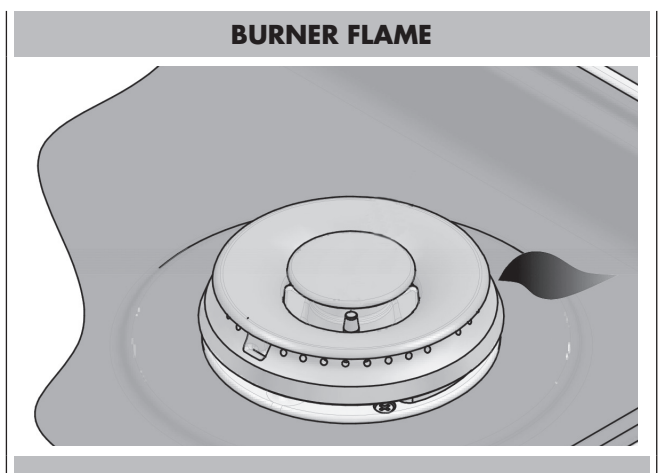
Do not obstruct the flow of combustion and ventilation air around the burner grate edges.

Burner cap and gas spreader

Always keep the burner cap and gas spreader in place when using a surface burner. A clean burner cap and spreader will help prevent poor ignition and uneven flames. Always clean the parts after a spillover and routinely remove and clean according to the "General Cleaning" section.

Burner base and injector

Gas must flow freely throughout the injector orifice to light properly. Keep this area free of soil and do not allow spills, food, cleaning agents or any other material to enter the injector orifice opening. Protect it during cleaning.



Be sure when lighting the burner:

- Gas spreader is seated correctly and pin is properly aligned with burner base slot.
- Cap is seated correctly and pin is properly aligned with gas spreader slot.

Burner ports

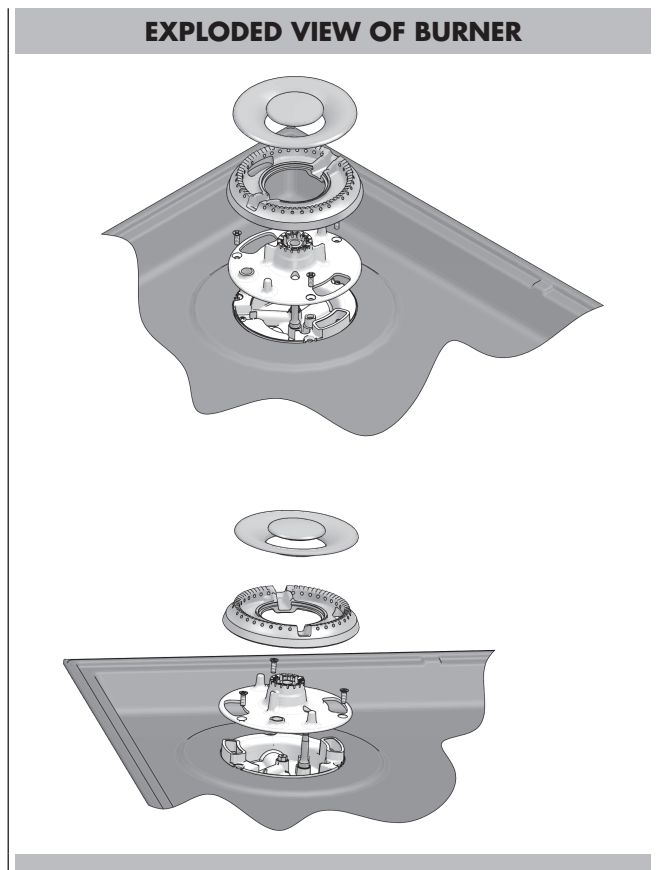
Check burner flames occasionally. A good flame is blue in color, not yellow. Keep this area free of soil and do not allow spills, food, cleaning agents or any other material to enter the burner ports.

To Clean gas burner:

IMPORTANT

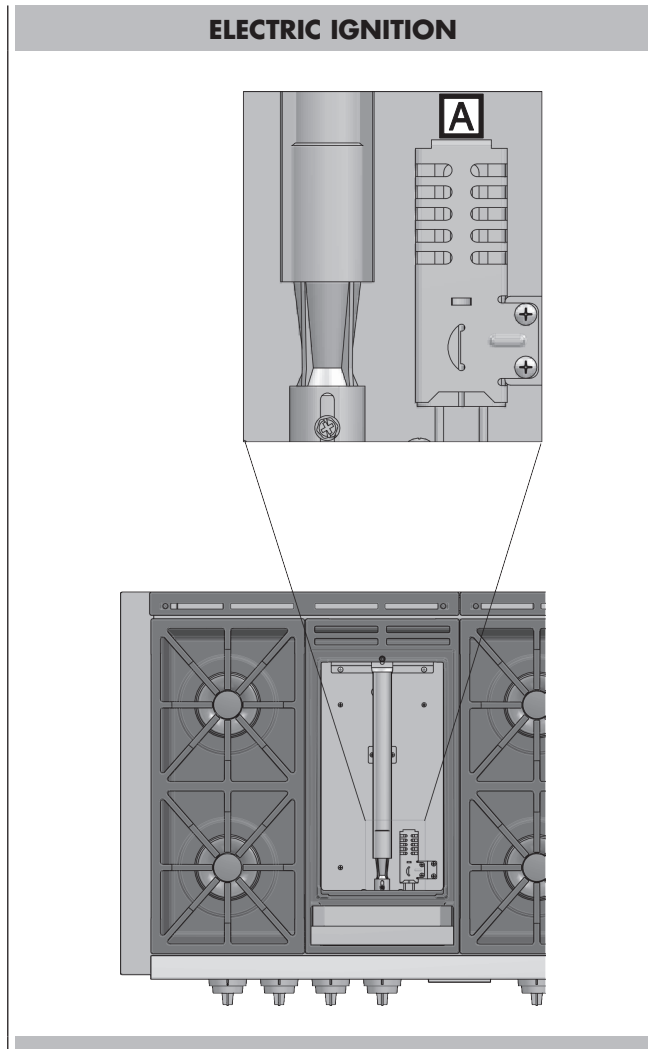
Before cleaning, make sure all controls are off and the cooktop is cool.

1. Remove the burner cap from the burner base and clean according to cleaning section.
2. Remove the burner spreader. Clean the gas tube opening and burner port according to cleaning section.
3. Clean the burner base with a damp cloth (keep the gas injector area free of cleaning agents and any other material from entering the injector orifice).
4. Replace the burner spreader and cap, making sure the alignment pins are properly aligned with the slots.
5. Turn on the burner. If the burner does not light, check cap and spreader alignment. If the burner still does not light, do not service the gas burner yourself. Contact a trained repair specialist.



Electric gas ignition

The griddle burner uses an electric glow wire located near burner that ensures burner ignition. It is thermostatically controlled to maintain a consistent temperature. To prevent food from sticking, it is necessary to "season" the griddle prior to use.



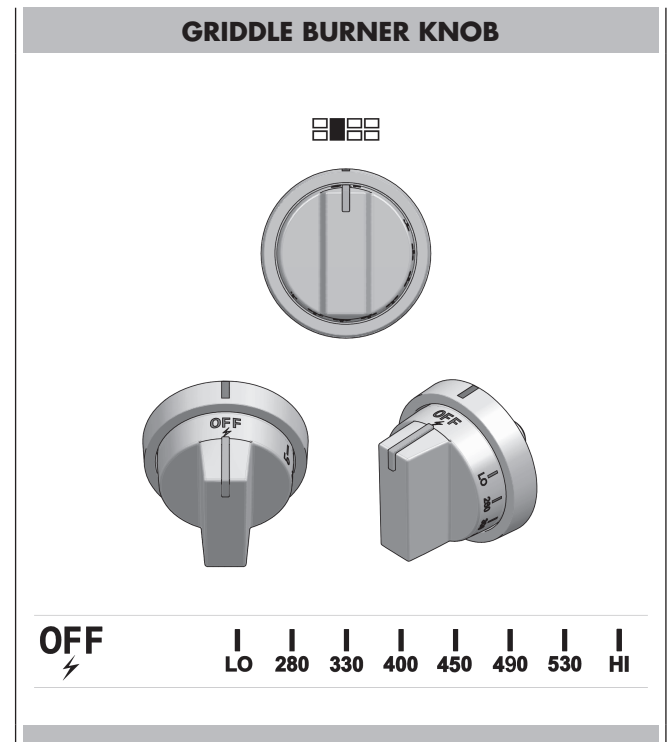
(A) IGNITION GLOW WIRE

To set:

- Turn the knob clockwise: the glow wire system will start and when it will be to the maximum glow, the burner will produce a flame.
- The griddle has a power "ON" light which glows when the griddle thermostat is turned on, and will switch it "OFF" when it will be to the selected temperature.

Turning off the burner

Turn the knob counter clockwise as far as it will go to the off position. Ensure flame extinguishes fully.



⚠ ATTENTION

The range must be level for the griddle to operate properly.

⚠ CAUTION

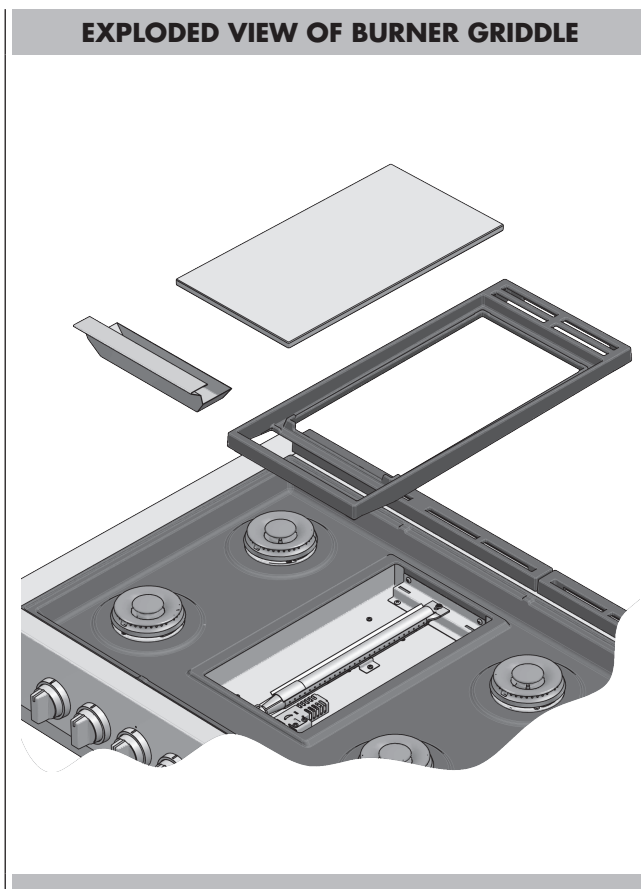
- Do not overheat the griddle. This can damage the coating of the griddle.
- Do not use metal utensils that can damage the griddle surface.
- Always turn off when not in use or lower the heat between cooking loads.
- Do not use the griddle for other purposes, for example, as a cutting board or a storage shelf.
- Do not cook excessively greasy foods. The grease may spill over.
- The griddle may become very hot. Use oven gloves when placing or removing the griddle.
- Do not remove the griddle until the cooktop grates, surfaces, and griddle itself cool down.
- The griddle is quite heavy. Use both hands when placing or removing the griddle.

Cooking Tips

- Preheat the griddle plate for about 20 minutes, then set the desired temperature.
- Use liquid cooking oil, cooking sprays, or butter for eggs, pancakes, French toast, fish and sandwiches. This will help reduce sticking. (Only use fats/oils that can tolerate high temperature)
- Pat down wet food items with paper towel to prevent splatters during grilling.
- Remove food particles with a metal spatula during cooking to make the cleanup easier and to avoid including those particles in the food.

Griddle Cooking Chart

Food	°F	°C
Eggs	250 - 300	121 - 149
Bacon	325 - 350	163 - 177
Pancakes	375 - 450	191 - 232
French Toast	425	218
Fish Fillets	300	149
Vegetables	300	149
Burgers	350	177
Steaks	350	177



IMPORTANT

After each cooking make sure to empty and clean the drip pan and replace it in its proper place under the griddle. Before cleaning, make sure all controls are off and the griddle is cool.

1. Remove the griddle plate from the burner base and clean according to cleaning section.
2. In case Clean the burner box with a damp cloth (keep the gas injector and glow wire areas free of cleaning agents and any other material).
3. Replace the Griddle plate, paying attention to the correct position.
4. Turn on the burner.

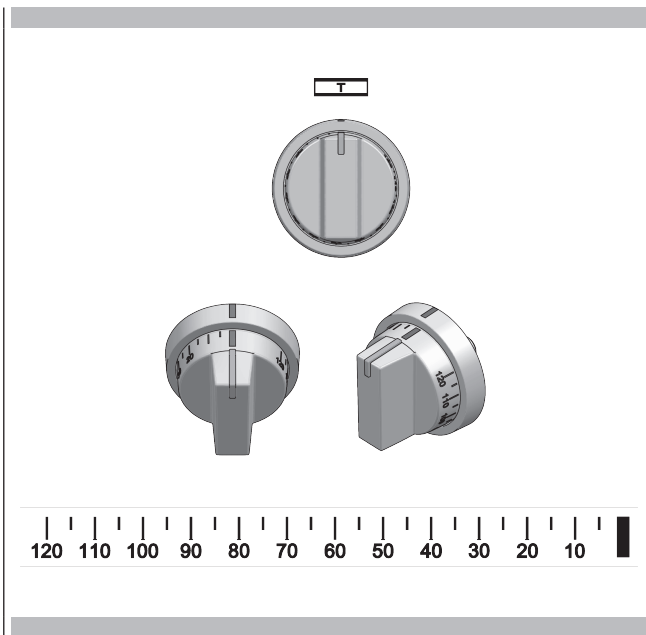
If the burner does not light, wait a couple of minutes and repeat the operation. If the burner still does not light, do not service the gas burner yourself. Contact a trained repair specialist.

Knob of minute minder (pag. 7 reference 8)

(0 to 120 min)

By rotating knob to the full extent clockwise and bringing pointer on selected time indicated in minutes on the dashboard, the alarm will ring after the time set has elapsed (120 min. max.).

During the operating of the clock, the relating knob will be returning gradually to "0" position with the passage of minutes and will indicate how long it should be waited for the completion of the time set.



IMPORTANT: Never leave empty cookware on a hot surface cooking area, element or surface burner.

Ideal cookware should have a flat bottom, straight sides, a well fitting lid and the material should be of medium-to-heavy thickness. Rough finishes may scratch the cooktop.

Aluminium and copper may be used as a core or base in cookware. However, when used as a base it can leave permanent marks on the cooktop or grates.

Cookware material is a factor in how quickly and evenly heat is transferred, which affects cooking results. A nonstick finish has the same characteristics as its base material.

For example, aluminium cookware with a non-stick finish will take on the properties of aluminium.

Use the following chart as a guide for cookware material characteristics.

Cookware Characteristics

Aluminum:

Heats quickly and evenly. Suitable for all types of cooking. Medium or heavy thickness is best for most cooking tasks.

Cast Iron:

Heats slowly and evenly. Good for browning and frying. Maintains heat for slow cooking.

Ceramic or Ceramic glass:

Follow manufacturer's instructions.

Heats slowly, but unevenly. Ideal results on low to medium heat settings.

Copper:

Heats very quickly and evenly.

Earthenware:

Follow manufacturer's instructions.

Use on low heat settings.

Porcelain enamel on steel or cast Iron:

See stainless steel or cast iron.

Stainless steel:

Heats quickly, but unevenly. A core or base of aluminium or copper on stainless steel provides even heating.

Match Pan Diameter to Flame Size

The flame should be the same size as the bottom of the pan or smaller. Do not use small pans with high flame settings as the flames can lick up the sides of the pan. Oversize pans that span two burners are placed front to rear, not side to side.

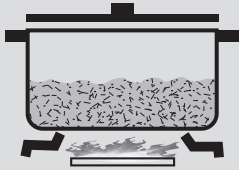




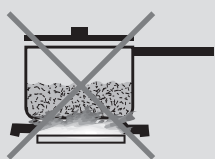
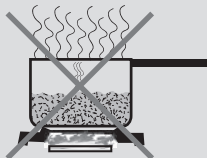
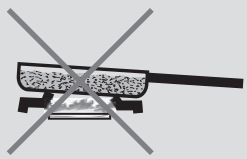
Use Balanced Pans

Pans must sit level on the cooktop grate without rocking. Center pan over burner.

Use a Lid That Fits Properly

A well-fitting lid helps shorten the cooking time. Flat, heavy bottom pans provide even heat and stability.

⚠ **WARNING**

BALANCED PAN	
	
	
CONCAVE (HOLLOW)	
CONVEX (ROUNDED)	
FLAME TOO LARGE FOR PAN SIZE	
USE LIDS THAT FIT PROPERLY	
UNBALANCED PAN	

The entire Cooktop can be safely cleaned by wiping with a soapy sponge, then rinsing and drying. If stubborn soil remains, follow the recommended cleaning methods below.

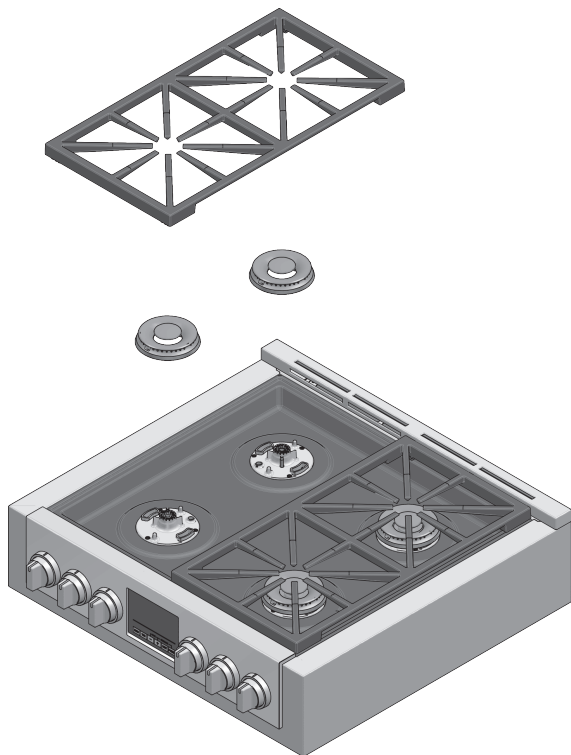


ATTENTION

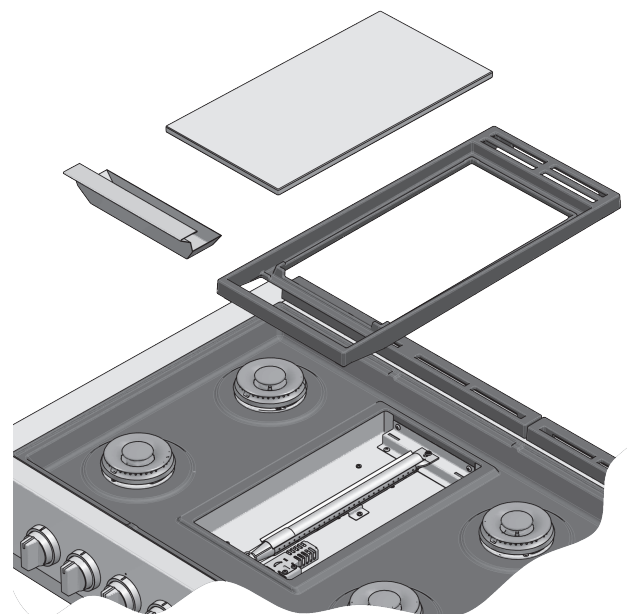
- Before cleaning, be certain the burners are turned off and the grates are cool.
- Always use the mildest cleaner that will do the job. Use clean, soft cloths, sponges or paper towels.
- Rub stainless steel finishes in the direction of the grain. Wipe area dry to avoid water marks.
- Do not clean removable cooktop parts in any selfcleaning oven.
- After cleaning, place all parts in their proper positions before using cooktop.

The cleaners recommended below and on the following page indicate cleaner types and do not constitute an endorsement of a particular brand. Use all products according to package directions.

CLEANING THE COOKTOP



CLEANING THE COOKTOP



Cooktop Part / Material Suggested Cleaners

Parts and materials	Suggested cleaners	Suggestions/Reminders
Burner base (Cast aluminium)	Damp cloth.	Keep the gas injector area free of cleaning agents and any other material from entering the injector orifice.
Gas spreader (Cast aluminium)	Detergent and hot water; rinse and dry. Stiff nylon bristle-toothbrush to clean port openings. Abrasive cleansers: Revere ware® metal polish. Following package direction Use Brillo® or S.O.S.® pads. Rinse and dry.	Rub lightly, in a circular motion. Aluminium cleaners may dull the surface. To clean port opening, use a tooth brush or straightened paper clip. Take care not to damage / augment the shape of the ports.
Gas spreader (Brass)	Wash them in hot soapy water, rinse, and dry. Use a stiff nylon brush or straight-ended paper clip to clear the notches of a flame spreader.	Rub lightly, in a circular motion. Brass cleaners may dull the surface. To clean port opening, use a tooth brush or straightened paper clip.
Burner cap and grate (Porcelain enamel on cast iron)	Non abrasive cleaners: Hot water and detergent, Fantastic, Formula 409. Rinse and dry immediately. Mild abrasive cleaners: Bon Ami® and Soft Scrub®. Abrasive cleaners for stubborn stains: soap-filled steel wool pad.	The grates are heavy; use care when lifting. Place on a protected surface. Blisters/crazing/chips are common due to the extreme temperatures on grate fingers and rapid temperature changes. Acidic and sugar-laden spills deteriorate the enamel. Remove soil immediately. Abrasive cleaners, used too vigorously or too often, can eventually mar the enamel.
Trilaminate griddle (three layers griddle stainless steel / aluminum)	Warning: There is a danger of burns when cleaning a cooking surface that is still hot! Never clean the cooking surface with abrasive powders or aggressive detergents. Clean the cooking surface with ice cubes or cold water.	After Each Use: Switch off the appliance and wait for it to cool down to about 195/215 F (90/100 C) 20/30min. Wipe the griddle with a dry, heavy, coarse cloth to remove any remaining residue and food particles. Place single ice cubes on the cooking surface one after another; simultaneously detach the dirt with the spatula and remove the dirt from the griddle and accumulate in the drip pan. You can also use cold water as an alternative to ice cubes. When the cooking surface is cool, any spots left by egg whites or the acids in foods can be removed with lemon juice and a clean cloth. Rinse thoroughly with a damp cloth. Coat lightly with cooking oil. If the cooking surface was already cool before cleaning, warm it to 100 C and then switch it off again.
Exterior finish (Porcelain enamel)	Hot sudsy water: rinse and dry thoroughly. Non abrasive cleansers: Ammonia, Fantastic®, Formula 409®. Mild abrasive cleansers: Bon Ami®, Ajax®, Comet®. Liquid cleaners: Kleen King®, Soft Scrub®	Acidic and sugar-laden spills deteriorate the porcelain enamel. Remove soil immediately. Do not use wet sponge or towel on hot porcelain. Always apply minimal pressure with abrasive cleaners.

Parts and materials	Suggested cleaners	Suggestions/Reminders
<p>Control knobs (Stainless Steel)</p>	<p>Hot sudsy water: rinse and dry immediately. If necessary, remove knobs (lift straight up).</p>	<p>Do not soak knobs. Do not use abrasive scrubbers or cleansers. Do not force knobs onto valve shaft. Pull knobs straight away from control panel to remove. When replacing knobs, make sure knobs are in the OFF position. Do not remove seats under knobs.</p>
<p>Exterior finish (Stainless Steel)</p>	<p>Nonabrasive cleaners: Hot water and detergent. Fantastic®, Formula 409®. Rinse and dry immediately. Cleaner polish: Stainless Steel Magic® to protect the finish from staining and pitting; enhances appearance. Hard water spots: Household white vinegar. Mild Abrasive Cleaners: Kleen King® stainless steel liquid cleaner, Cameo® aluminum & stainless steel cleaner, Bon Ami®. Heat discoloration: Bar Keepers Friend®.</p>	<p>Stainless steel resists most food stains and pit marks provided the surface is kept clean and protected. Never allow food stains or salt to remain on stainless steel for any length of time. Rub lightly in the direction of polish lines. Chlorine or chlorine compounds in some cleaners are corrosive to stainless steel. Check ingredients on label before using. Always apply minimal pressure with abrasive cleaners especially on graphics.</p>
<p>Igniters (Ceramic)</p>	<p>Carefully wipe with a cotton swab dampened with water, ammonia or Formula 409®. Gently scrape soil off with a toothpick.</p>	<p>Avoid excess water on the igniter. A damp igniter will prevent burner from lighting. Remove any lint that may remain after cleaning.</p>
<p>Drip Pan (stainless steel)</p>	<p>Allow cooktop to cool before cleaning. Remove, empty, and clean drip tray.</p>	<p>Clean the drip tray with warm, soapy water. Wipe the area under the drip tray clean. Once dry, put the drip tray back in position. Dishwasher safe stainless-steel grease drip tray.</p>

Before contacting service, check the following to avoid unnecessary service charges.

PROBLEM	PROBLEM SOLVING STEPS
Ignition will not operate	
Is the power supply cord unplugged?	Plug into a grounded 3 prong outlet.
Has a household fuse been blown or has the circuit breaker been tripped?	Replace the fuse or reset the circuit.
Surface burners will not operate	
Is this the first time the surface burners have been used?	Turn on any one of the surface burner knobs to release air from the gas lines.
Is the control knob set correctly?	Push in knob before turning to a setting.
Are the burner ports clogged?	See "Super Sealed Surface Burners" section.
Surface burner flames are uneven yellow and/or noisy	
Are the burner ports clogged?	See "Super Sealed Surface Burners" section.
Are the burner caps positioned properly?	See "Super Sealed Surface Burners" section.
Is propane gas being used?	The appliance may have been converted improperly. Contact a service technician.
Surface burner makes clicking noises	
Is the burner wet?	Let it dry.
Is the cap and gas spreader positioned correctly?	Make sure the alignment pins are properly aligned see "Super Sealed Surface Burners" section.
Is the cooking vessel much larger than the allocated grate space?	Remove vessel temporarily, if clicking ceases and then returns when putting the vessel back, it is due to the oversized vessel. You can still continue to cook with the vessel but the clicking will continue until cooking is complete.
Excessive heat around cookware on cooktop	
Is the cookware the proper size?	Use cookware about the same size as the surface cooking area, element or surface burner. Cookware should not extend more than 1 in (2.5 cm) outside the cooking area.
Cooktop cooking results not what expected	
Is the proper cookware being used?	See "Cookware" section.
Is the control knob set to the proper heat level?	See "Setting the Control Knobs" section.

Before contacting service, please check "Troubleshooting." It may save you the cost of a service call. If you still need help, follow the instructions below. When calling, please know the purchase date and the complete model and serial number of your appliance. This information will help us to better respond to your request.

Service Data Record

For authorized service or parts information see "WARRANTY for Home Appliances".

Now is a good time to write this information in the space provided below.
Keep your invoice for warranty validation.

Service Data Record
Model Number _____
Serial Number _____
Date of Installation or Occupancy _____

TABLES DES MATIERES	PAGE
1 - Précaution de Sécurité	2
2 - Instructions de Sûreté	4
Avertissements pour l'Installation de Gaz et Electrique	4
3 - Caractéristiques de Cuisinière	5
4 - Caractéristiques de Votre Table de Cuisson	6
5 - Fonctionnement de la Table de Cuisson	9
Utilisation des Boutons de Commande	9
Gaz Brûleurs	9
Brûleurs avec deux anneaux de flamme	9
Brûleurs de Surface Etanches	10
6 - Fonctionnement du gril de la table de cuisson	11
umage électrique du gaz	11
Conseils pour la cuisson	12
Tableau de cuisson au gril	12
7 - Minuteur	13
Bouton du minuteur normal	13
8 - Batterie de Cuisine	14
Caractéristiques des Matériaux	14
Le Diamètre de la Casserole Doit Correspondre au Diamètre de la Flamme	14
9 - Nettoyage de la Table de Cuisson	15
Table de Cuisson / Produits d'Entretien Conseillés	16
10- Résolution des Problèmes de Fonctionnement	18
11 - Assistance ou Service Après-Vente	19
Données de Service	19

Veillez prêter attention à ces symboles que vous rencontrerez dans ce manuel



AVERTISSEMENT

- Ce symbole signifie que la sécurité est en danger. Il signale les risques potentiels qui peuvent entraîner la mort ou des blessures à l'opérateur ou aux autres.
- Si vous ne suivez pas ces instructions à la lettre, vous courez le risque de mourir ou d'être sérieusement blessé.

BIEN LIRE CES INSTRUCTIONS ET LES CONSERVER.



AVERTISSEMENT

Si les informations figurant dans ce manuel ne sont pas suivies à la lettre, il peut en résulter un incendie ou une explosion pouvant causer des dégâts matériels, des blessures, voire mort d'homme.

NE PAS ranger et utiliser d'essence ou d'autres vapeurs et liquides inflammables à proximité de cet appareil ou d'un autre appareil.

QUE FAIRE SI VOUS SENTEZ UNE ODEUR DE GAZ

-NE PAS essayer d'allumer un appareil.

-NE PAS toucher d'interrupteur électrique.

-NE PAS utiliser de téléphone dans votre bâtiment.

-Appeler immédiatement votre fournisseur de gaz depuis chez un voisin. Suivre les instructions de votre fournisseur de gaz.

-Si le fournisseur de gaz ne peut être joint, appeler les pompiers.

L'installation et la maintenance doivent être confiées à un installateur qualifié, un réparateur agréé ou le fournisseur de gaz.

IMPORTANT: Gardez ces instructions pour une utilisation d'inspection électrique locale

INSTALLATEUR: Veuillez laisser ce manuel au propriétaire pour de futures références.

PROPRIETAIRE: Veuillez garder ce manuel pour de futures références.



INSTRUCTIONS IMPORTANTES

Veillez lire les instructions avant toute utilisation.



AVERTISSEMENT

A condition de bien l'entretenir, votre nouveau cuisinière a été conçu pour être un appareil fiable et sûr. Lisez toutes les instructions soigneusement avant d'utiliser ce cuisinière. Ces précautions réduiront le risque de brûlures, d'électrocutions, d'incendie, et de blessures à des personnes. Lorsque vous utilisez des appareils électroménagers de cuisine, il faut suivre les mesures de sécurité basiques, y compris les suivantes:

Cet appareil doit être correctement installé et branché par un technicien qualifié. Branchez-le uniquement à une prise de courant de terre correcte. Reportez-vous à "Instructions de mise à la terre" dans les Instructions d'installation.

- Cet appareil ne doit être mis en service uniquement par un technicien apte et agréé. Contactez le centre de service agréé le plus proche de chez vous pour une inspection, une réparation ou un réglage.
- Ne réparez pas ou ne remplacez pas des pièces du appareil sauf si on vous le recommande spécifiquement. Faites appel au service agréé.
- Ne faites pas fonctionner cet appareil s'il ne fonctionne pas correctement ou s'il a été abîmé jusqu'à l'inspection du service après-vente agréé.
- Installez ou placez cet appareil uniquement et conformément aux Instructions d'installation.
- Utilisez ce cuisinière uniquement dans le but pour lequel il a été conçu par le fabricant. Pour toute question, contactez le fabricant.
- Ne couvrez pas ou ne bloquez pas les ouvertures de cet appareil.
- N'utilisez l'appareil que selon l'usage décrit dans ce manuel. N'utilisez pas de produits chimiques corrosifs, des vapeurs ou des produits non - alimentaires dans cet appareil. Ce type de cuisinière est spécifiquement conçu pour chauffer ou cuire. Il n'est pas conçu pour une utilisation industrielle ou en laboratoire. L'utilisation de produits chimiques corrosifs pour le chauffage et le nettoyage endommagera cet appareil.
- Si vos vêtements ou vos cheveux prennent feu, **LAISSEZ-VOUS TOMBER ET ROULEZ IMMEDIATEMENT** pour éteindre les flammes.



AVERTISSEMENT

- Si l'huile de cuisson devait prendre feu, **ÉTOUFFER LES FLAMMES** en bouchant le récipient avec un couvercle bien hermétique, un moule à gâteaux ou un autre plateau en métal, puis éteignez le brûleur à gaz.
- **VEILLEZ À NE PAS VOUS BRÛLER.**
- Si les flammes ne s'éteignent pas, **ÉVACUER IMMEDIATEMENT LE LOCAL ET APPELER LES POMPIERS.**
- N'utilisez ni eau ni torchons ou serviettes mouillés pour éteindre un feu dû à la graisse de cuisson, vous pourriez provoquer une violente explosion.
- **NE JAMAIS PRENDRE DANS LES MAINS UNE POÊLE EN FEU**, vous pourriez vous brûler.
- Ayez **TOUJOURS** un **DÉTECTEUR DE FUMÉE EN ÉTAT DE MARCHÉ** à proximité de la cuisine. **FAITES FONCTIONNER LE VENTILATEUR DE LA HOTTE** lorsque vous flambez des aliments.
- Ne **JAMAIS** utiliser cet appareil comme radiateur pour chauffer ou réchauffer la pièce. Cela pourrait entraîner une intoxication au monoxyde, de carbone et surchauffer le four.

Pour réduire le risque de brûlures lorsque vous cuisinez, veuillez observer les conseils suivants:

- Ne laissez pas les jeunes enfants ou les animaux seuls ou sans surveillance dans une pièce où un appareil électroménager est allumé. Ils ne devraient jamais avoir le droit de s'asseoir ou de se tenir debout sur une quelconque partie de l'appareil.
- Ne pas stocker des matériaux inflammables sur la table de cuisson ou à proximité.
- Lorsque vous cuisinez sur la table de cuisson: **NE PAS TOUCHER LES GRILLES DU BRÛLEUR NI LA ZONE AUTOUR.**
- Ne prendre les récipients qu'à l'aide de maniques sèches: des maniques humides ou mouillées sur des surfaces chaudes créent de la vapeur qui peut vous brûler.
- Une table de cuisson avec un brûleur allumé ne doit jamais être laissée sans surveillance: un liquide qui bout et déborde crée de la fumée ou s'il est huileux peut prendre feu. Un débordement sur un brûleur peut étouffer la flamme partiellement ou totalement ou bloquer l'étincelle d'allumage. Dans le cas d'un débordement, éteindre le brûleur et vérifier son fonctionnement. S'il fonctionne normalement, vous pouvez le rallumer.

- Lorsque vous cuisinez, choisissez la position du bouton de commande de façon à ce que la flamme ne chauffe que le bas de la casserole et ne dépasse pas sur les côtés.
- Veillez à ce que des courants d'air provoqués par exemple par un ventilateur ne soufflent pas de matériaux inflammables en direction de la flamme ou ne fassent en sorte que la flamme dépasse les bords du récipient utilisé.
- Mettez toujours les poignées des récipients vers le centre de sorte qu'ils ne soient pas au-dessus d'autres plans de travail adjacents, d'autres brûleurs ou sur le bord de la table de cuisson.
- Quand vous cuisinez, veillez à porter des habits adéquats en évitant des habits lâches ou des manches tombantes.
- Ne jamais permettre que les habits ou les maniques ou tout autre matériau inflammable ne viennent en contact avec les brûleurs ou les grilles des brûleurs lorsqu'ils sont chauds.
- N'utiliser qu'un certain type de récipients en verre, en vitrocéramique résistant à la chaleur, en céramique, en faïence ou d'autres récipients émaillés qui sont adaptés à la table de cuisson.
- Ne jamais nettoyer la table de cuisson lorsqu'elle est encore chaude. Certains détergents appliqués sur des surfaces chaudes provoquent des vapeurs nocives.

**ATTENTION**

Veillez à ce qu'aucune feuille d'aluminium, de plastique, de papier ou du tissu ne puisse venir au contact d'un brûleur chaud ou d'une grille chaude. Ne laissez pas les casseroles bouillir sans eau.

**ATTENTION**

Ne mettez pas des objets d'intérêt pour les enfants sur le cuisinière. Si un enfant devait grimper sur l'appareil électroménager pour atteindre ces objets, il pourrait se blesser gravement.

**ATTENTION**

Gardez la zone de l'appareil propre et exempte de matériaux combustibles, d'essence et d'autres vapeurs et liquides inflammables.

⚠ AVERTISSEMENT

- Si un brûleur devait s'éteindre et le gaz s'échapper, ouvrez une fenêtre ou une porte. Attendez 5 minutes avant d'utiliser à nouveau la table de cuisson.
- N'obstruez pas le flux de l'air de combustion et de ventilation.
- Vous ne devez en aucun cas utiliser une feuille d'aluminium pour tapisser une quelconque partie de la cavité du cuisinière, car elle fondra et abîmera l'émail pendant la cuisson.
- Si la cuisinière cookers se trouve à proximité d'une fenêtre, assurez-vous que les rideaux ou tout autre type de stores ne peuvent pas être soufflés sur ou à côté des brûleurs: ils pourraient prendre feu.

Avertissements pour l'Installation de Gaz et Electrique**Au cas où il faudrait procéder à l'installation de gaz propane**

L'appareil est prête à l'emploi avec du gaz naturel.

Vous pouvez la transformer pour utiliser du gaz propane grâce au kit de conversion propane fourni avec l'appareil.

⚠ AVERTISSEMENT

L'installation et l'entretien de l'appareil doivent être exécutés par un installateur qualifié, un bureau technique ou le fournisseur de gaz.

⚠ ATTENTION

- Toujours débrancher la prise électrique de l'appareil avant de commencer les opérations d'entretien.
- Pour des raisons de sécurité personnelle, cet appareil doit être correctement relié à la terre.
- Il ne faut en aucun cas couper ou enlever le troisième fil (terre) du câble électrique.

⚠ ATTENTION

Au moment de brancher l'unité au gaz de propane, vous assurer que la bouteille de gaz est bien équipée avec son propre régulateur de haute pression. En outre, le régulateur de pression fourni avec la table de appareils doit se trouver à l'entrée du tuyau de gaz de cet appareil.

En cas de panne de courant

Si pour une quelconque raison un bouton de commande est allumé mais il n'y a pas de courant pour que l'allumeur électrique de la table de cuisson fonctionne, ÉTEINDRE la table de cuisson, attendre 5 minutes afin que le gaz se dissipe, puis allumer manuellement. Pour allumer le brûleur manuellement, portez avec précaution la flamme d'une allumette à la hauteur des orifices du brûleur, enfoncez le bouton de commande et tournez-le sur la position HI jusqu'à ce que le brûleur s'allume. Il est alors possible de mettre le bouton de commande sur la position désirée.

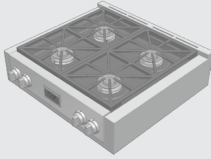
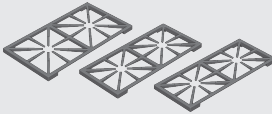
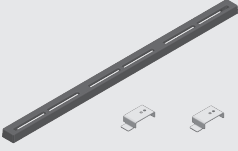
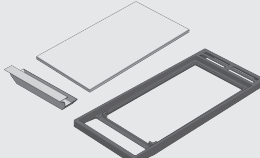
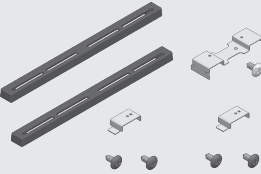
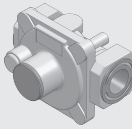

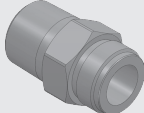
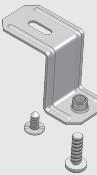
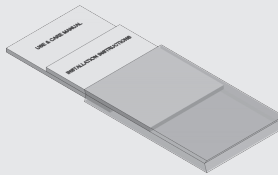
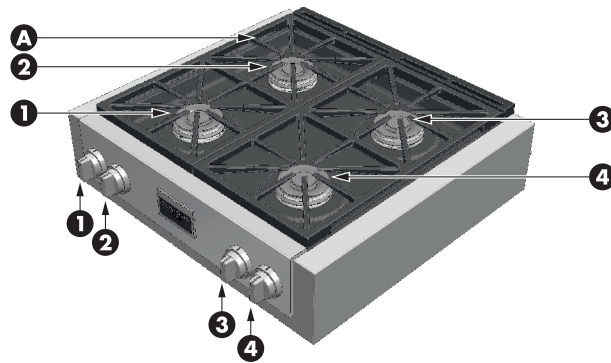
CONTENU DE L'EMBALLAGE DE VOTRE CUISINIÈRE					
	QTY	DESCRIPTION		QTY	DESCRIPTION
	1	CUISINIÈRE		2	GRILLES EN FONTE
				3	Modèle pour TABLE DE CUISSON de 30"
					Modèle pour TABLE DE CUISSON de 36", 48"
	1	FOR 30"-36" TABLE DE CUISSON 1x 1" REVÊTEMENT ISLAND EN FONT 2x VIS DE FIXATION 2x SUPPORTS		1	GRIDDLE (FOR 48" RANGE)
	1	FOR 48" TABLE DE CUISSON 2x 1" REVÊTEMENT ISLAND EN FONT 5x VIS DE FIXATION 3x SUPPORTS		1	RÉGULATEUR DE PRESSION
	1	JOINT / RONDELLE		1	RACCORD
	1	ETRIERS DE FIXATION		1	MANUELS ET DOCUMENTATION GÉNÉRALE
				1	"INSTRUCTIONS D'INSTALLATION"
				1	"UTILISATION & ENTRETIEN"
				1	KIT DE CONVERSION DU GAZ

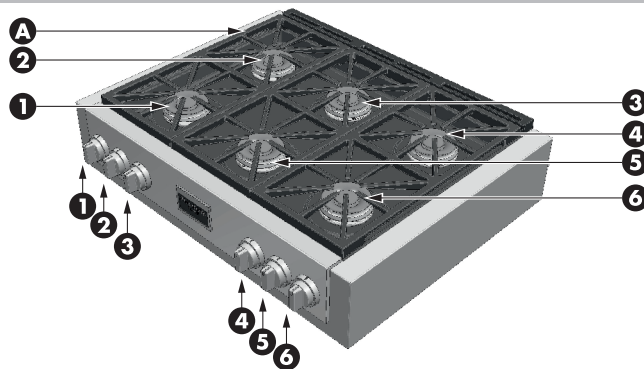
TABLE DE CUISSON DE 30"



A - Grilles

PUISSANCES NOMINALES DE SORTIE DU BRÛLEUR: BTU/HR	Gaz naturel, avec P.C. de 12,7 cm (5 po)	Gaz propane, avec P.C. de 25,5 cm (10 po)
1 DOUBLES COURONNES (Brûleur et bouton de commande)	de 750 à 18000 Btu/h (de 220 à 5300W)	de 750 à 15000 Btu/h (de 220 à 4400W)
2 DOUBLES COURONNES (Brûleur et bouton de commande)	de 750 à 18000 Btu/h (de 220 à 5300W)	de 750 à 15000 Btu/h (de 220 à 4400W)
3 DOUBLES COURONNES (Brûleur et bouton de commande)	de 750 à 18000 Btu/h (de 220 à 5300W)	de 750 à 15000 Btu/h (de 220 à 4400W)
4 DOUBLES COURONNES (Brûleur et bouton de commande)	de 750 à 18000 Btu/h (de 220 à 5300W) de 750 à 20000* Btu/h (de 220 à 5850W)	de 750 à 15000 Btu/h (de 220 à 4400W)

TABLE DE CUISSON DE 36"

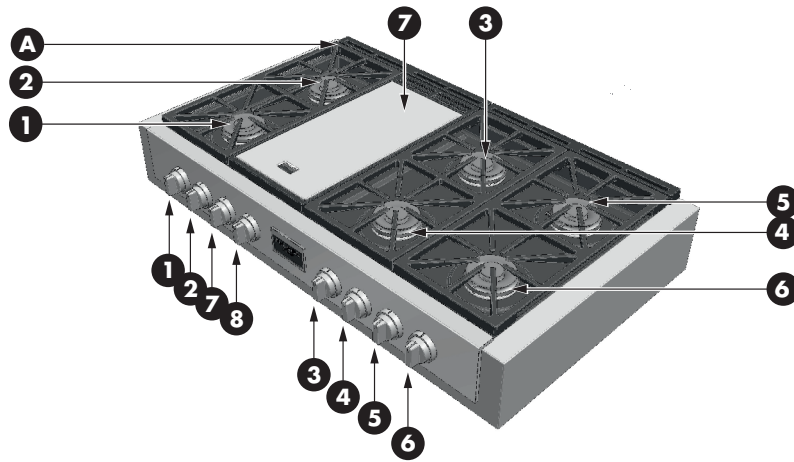


A - Grilles

PUISSANCES NOMINALES DE SORTIE DU BRÛLEUR: BTU/HR	Gaz naturel, avec P.C. de 12,7 cm (5 po)	Gaz propane, avec P.C. de 25,5 cm (10 po)
1 DOUBLES COURONNES (Brûleur et bouton de commande)	de 750 à 18000 Btu/h (de 220 à 5300W) de 750 à 20000* Btu/h (de 220 à 5850W)	de 750 à 15000 Btu/h (de 220 à 4400W)
2 DOUBLES COURONNES (Brûleur et bouton de commande)	de 750 à 18000 Btu/h (de 220 à 5300W)	de 750 à 15000 Btu/h (de 220 à 4400W)
3 DOUBLES COURONNES (Brûleur et bouton de commande)	de 750 à 18000 Btu/h (de 220 à 5300W)	de 750 à 15000 Btu/h (de 220 à 4400W)
4 DOUBLES COURONNES (Brûleur et bouton de commande)	de 750 à 18000 Btu/h (de 220 à 5300W)	de 750 à 15000 Btu/h (de 220 à 4400W)
5 DOUBLES COURONNES (Brûleur et bouton de commande)	de 750 à 18000 Btu/h (de 220 à 5300W)	de 750 à 15000 Btu/h (de 220 à 4400W)
6 DOUBLES COURONNES (Brûleur et bouton de commande)	de 750 à 18000 Btu/h (de 220 à 5300W) de 750 à 20000* Btu/h (de 220 à 5850W)	de 750 à 15000 Btu/h (de 220 à 4400W)

* (sur certains modèles)

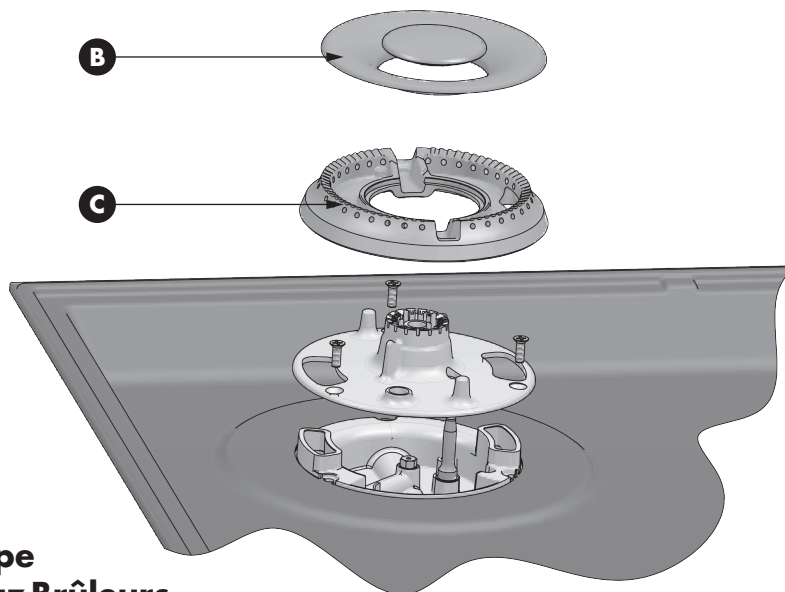
TABLE DE CUISSON DE 48"



A - Grilles

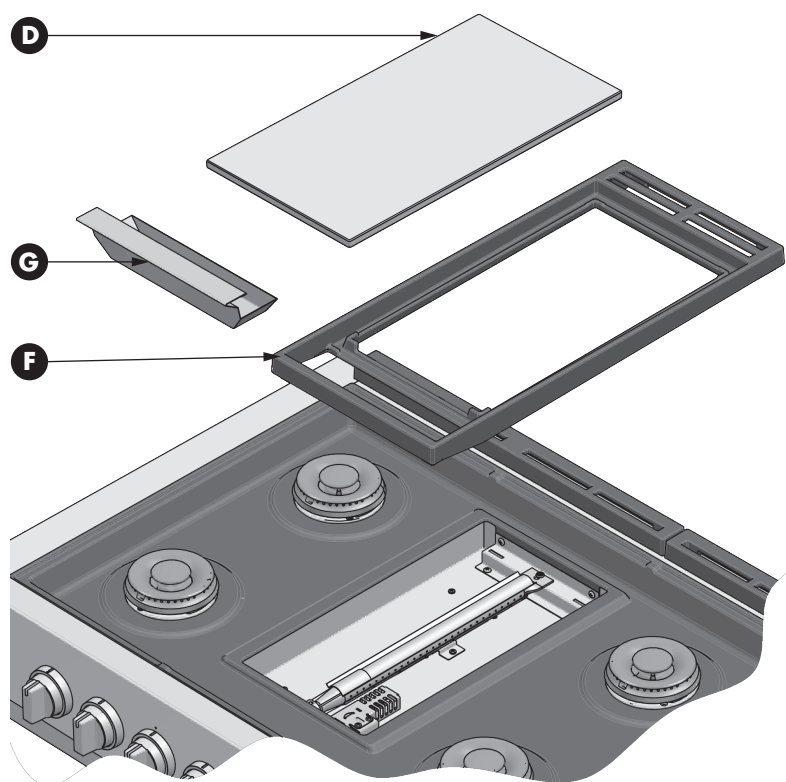
PUISSANCES NOMINALES DE SORTIE DU BRÛLEUR: BTU/HR MODÈLE: 48"	NG (Natural) Gas, 5" W.C.P	LP (Propane) Gas, 10" W.C.P.
1 DOUBLES COURONNES (Brûleur et bouton de commande)	de 750 à 20000 Btu/h (de 220 à 5850W)	de 750 à 15000 Btu/h (de 220 à 4400W)
2 DOUBLES COURONNES (Brûleur et bouton de commande)	de 750 à 18000 Btu/h (de 220 à 5300W)	de 750 à 15000 Btu/h (de 220 à 4400W)
3 DOUBLES COURONNES (Brûleur et bouton de commande)	de 750 à 18000 Btu/h (de 220 à 5300W)	de 750 à 15000 Btu/h (de 220 à 4400W)
4 DOUBLES COURONNES (Brûleur et bouton de commande)	de 750 à 18000 Btu/h (de 220 à 5300W)	de 750 à 15000 Btu/h (de 220 à 4400W)
5 DOUBLES COURONNES (Brûleur et bouton de commande)	de 750 à 18000 Btu/h (de 220 à 5300W)	de 750 à 15000 Btu/h (de 220 à 4400W)
6 DOUBLES COURONNES (Brûleur et bouton de commande)	de 750 à 20000 Btu/h (de 220 à 5850W)	de 750 à 15000 Btu/h (de 220 à 4400W)
7 GRIDDLE (Brûleur et bouton de commande)	de 2000 à 11500 Btu/h (de 590 à 3370W)	de 2000 à 11500 Btu/h (590 à 3370W)
8 MINUTEUR NORMAL (Bouton)	Voyez Bouton du minuteur normal, Page 13.	

BRÛLEUR



B - Brûleur coupe
C - Épandeur Gaz Brûleurs

GRIDDLE

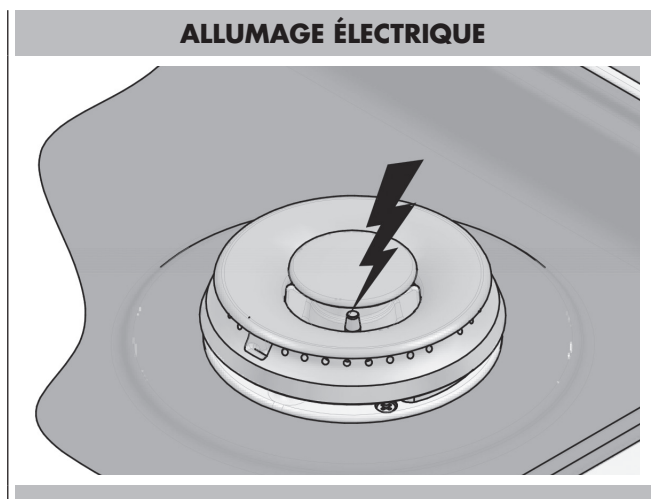


- D - Plaque de grill**
- G - Bac d'égouttement**
- F - Support de plaque de grill**

Utilisation des Boutons de Commande

Allumage à gaz électrique

Le brûleur à gaz utilise un appareil à allumage électrique situé près de chaque brûleur qui assure l'allumage du brûleur.



Modèles avec rallumage automatique

Le rallumage automatique électronique allume le brûleur de surface avec le bouton de contrôle correspondant tourné de façon à assurer un débit de gaz suffisant pour entretenir la flamme. Si une flamme s'éteint pour une raison quelconque, l'allumeur se déclenche automatiquement pour la rallumer.

NOTE: Cet élément est fourni comme une commodité et il n'est pas conçu comme un élément de sécurité.

Pour régler:

- Presser et tourner un bouton dans le sens antihoraire, un déclic indique le déclenchement de l'étincelle ; le brûleur produit alors une flamme et déclenche le rallumage automatique.

AVERTISSEMENT

- Ne faites pas fonctionner un brûleur en utilisant une casserole vide ou sans casserole sur la grille.
- Ne touchez pas le brûleur lorsque les allumeurs cliquent (étincellent)
- Ne laissez pas la flamme du brûleur s'étendre au-delà du bord de la casserole.
- Eteignez tous les contrôles lorsque vous ne cuisinez pas.

Si vous ne suivez pas ces instructions, vous risquez de vous blesser ou de provoquer un incendie.

Gaz Brûleurs

La conception des brûleurs à gaz de ces modèles de table de cuisson permettant d'adapter votre cuisine selon la taille, la puissance et la cuisson douce est une de nos préoccupations premières.

Brûleurs avec deux anneaux de flamme

Ce brûleur spécial a deux anneaux de flamme séparés pour fournir une régulation de chaleur complète entre la puissance élevée et la cuisson douce.

1. Poussez et tournez le bouton dans le sens inverse des aiguilles d'une montre sur HI-LO (fort-doux) de la flamme principale, lorsque le brûleur est allumé, la flamme principale et la flamme de cuisson douce vont s'allumer toutes les deux et le rester.
2. Régler la température désirée sur HI-LO (fort-doux).

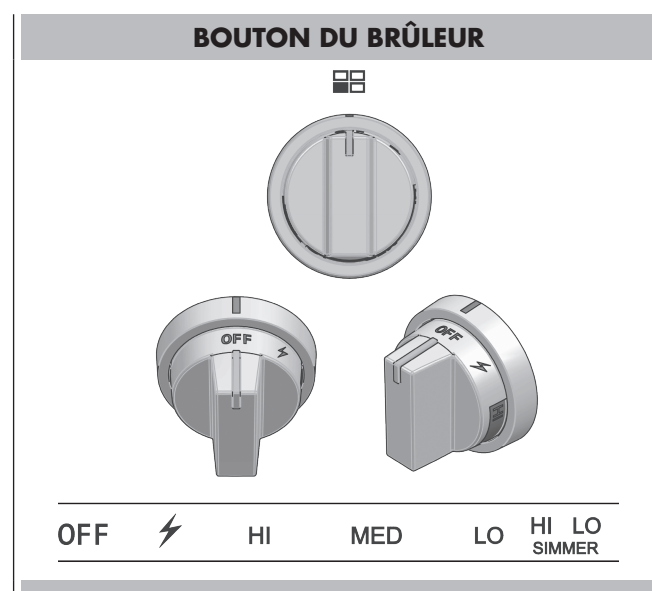
Remarque : Le bouton est prévu pour s'arrêter à une valeur moyenne (MED). Pour continuer jusqu'à la valeur basse et/ou mijotage (LO/Simmer), pressez le bouton tout en continuant à le tourner dans le sens antihoraire. Cette méthode n'est pas utile pour passer de LO/Simmer à OFF.

Réglage de cuisson douce

Continuez à tourner dans le sens inverse des aiguilles d'une montre le bouton sur la position de cuisson douce HI-LO (fort-doux). L'anneau extérieur de la flamme s'éteindra et il est possible de régler la température en utilisant seulement la flamme centrale.

Arrêt du brûleur

Tournez le bouton dans le sens des aiguilles d'une montre aussi loin que possible sur la position off (éteint). Assurez-vous que la flamme s'éteint complètement.



Flammes des Brûleur

Allumez chacun des brûleurs. Les flammes doivent être bleues sans trace de jaune. Les flammes du brûleur ne doivent pas trembler ni souffler. Le cône intérieur de la flamme doit avoir une longueur entre 1/2" et 3/4".

Remarque : • La présence de matériaux étrangers dans le tuyau de gaz, en particulier dans les nouvelles constructions, peut provoquer l'apparition d'une flamme orange pendant les opérations initiales. La couleur orange disparaîtra lors des utilisations suivantes. Les pointes jaunes sont normales dans les flammes produites avec du gaz de pétrole liquéfié.

- Si la flamme n'est pas uniforme autour du bord du brûleur, attendez que la plaque de cuisson refroidisse puis assurez-vous que le brûleur est assemblé correctement.

Brûleurs de Surface Etanches

⚠ IMPORTANT

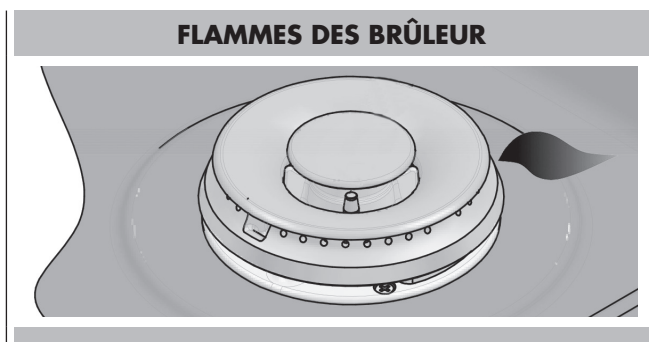
Ne pas obstruer le flux de l'air de combustion et de ventilation autour des bords de la grille du brûleur.

Chapeau du brûleur et diffuseur de gaz

Maintenez toujours le chapeau du brûleur et le diffuseur de gaz en place lorsque vous utilisez un brûleur de surface. Ces deux éléments doivent toujours être propres si vous voulez pouvoir allumer facilement et avoir une flamme constante. Bien nettoyer ces éléments après chaque débordement et effectuer un nettoyage périodique selon la section «Nettoyage général».

Base du brûleur et injecteur

Pour allumer correctement, le gaz doit circuler librement à travers l'orifice de l'injecteur. Maintenez cette zone propre sans restes alimentaires et veillez à ce que ni restes, ni détergents ou autres matériaux n'obstruent l'ouverture de l'orifice. Le protéger durant le nettoyage.



Avant d'allumer le brûleur, vous assurer que:

- Le diffuseur de gaz est installé correctement et le pivot est bien aligné avec la rainure de la base du brûleur.
- Le chapeau est installé correctement et le pivot est bien aligné avec la rainure du diffuseur de gaz.

Orifices du brûleur

Contrôlez périodiquement les flammes du brûleur. La couleur d'une flamme normale est bleue et non pas jaune. Maintenez cette zone propre sans restes alimentaires et veillez à ce que ni des restes, ni des détergents ou autres matériaux n'obstruent les orifices du brûleur.

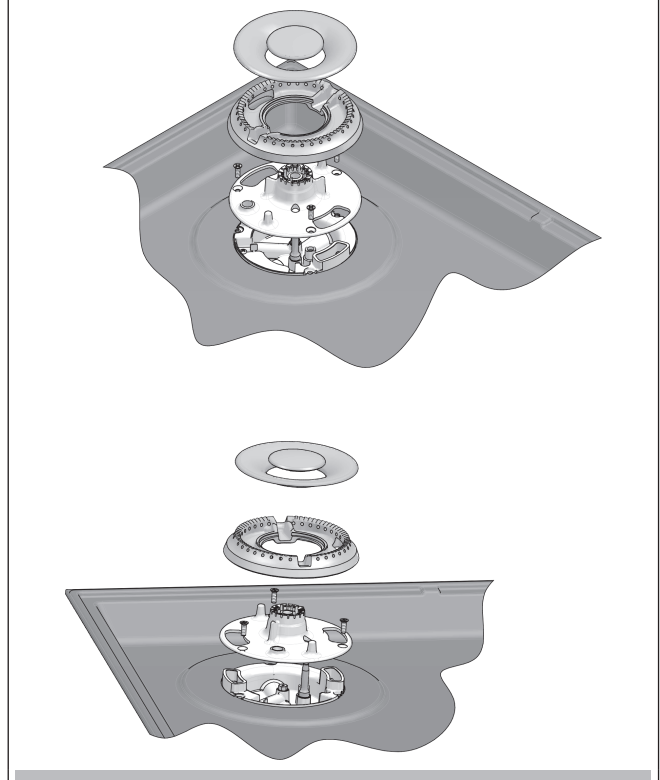
Comment nettoyer le brûleur à gaz:

⚠ IMPORTANT

Avant de nettoyer, bien vérifier que tous les boutons de commande sont éteints et que la table de cuisson est froide.

1. Enlevez le chapeau du brûleur de la base du brûleur et nettoyez en suivant les instructions de la section de nettoyage.
2. Enlevez le diffuseur du brûleur. Nettoyez l'ouverture du tuyau de gaz ainsi que la rainure du brûleur en suivant les instructions de la section de nettoyage.
3. Nettoyez la base du brûleur avec un chiffon humide. Il est important que l'orifice de l'injecteur ne s'obstrue pas avec des produits détergent ou autres.
4. Remettez en place le diffuseur et le chapeau du brûleur en veillant à ce que les pivots soient bien dans l'alignement des rainures.
5. Allumez le brûleur. S'il ne s'allume pas, vérifiez que le chapeau et le diffuseur sont bien alignés. Si le brûleur ne devrait toujours pas s'allumer, ne pas effectuer la réparation vous-même mais contactez un réparateur spécialisé.

VUE ÉCLATÉE DU BRÛLEUR

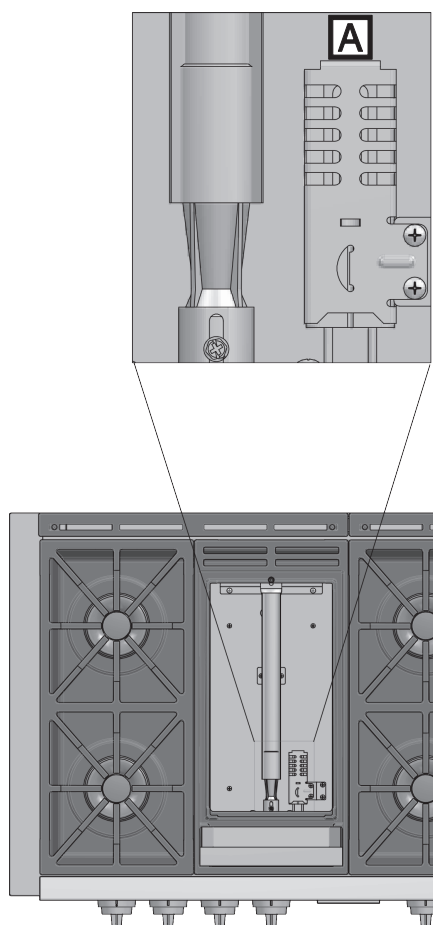


umage électrique du gaz

Le brûleur de la plaque chauffante utilise un fil incandescent électrique situé près de brûleur qui assure l'allumage du brûleur. C'est thermostatiquement contrôlée pour maintenir une température constante.

Il est contrôlé de façon thermostatique pour maintenir une température constante. Pour empêcher les aliments de coller, il est nécessaire « d'assaisonner » le gril avant son utilisation.

ALLUMAGE ÉLECTRIQUE



(A) FIL D'ALLUMAGE LUMINEUX

Réglage :

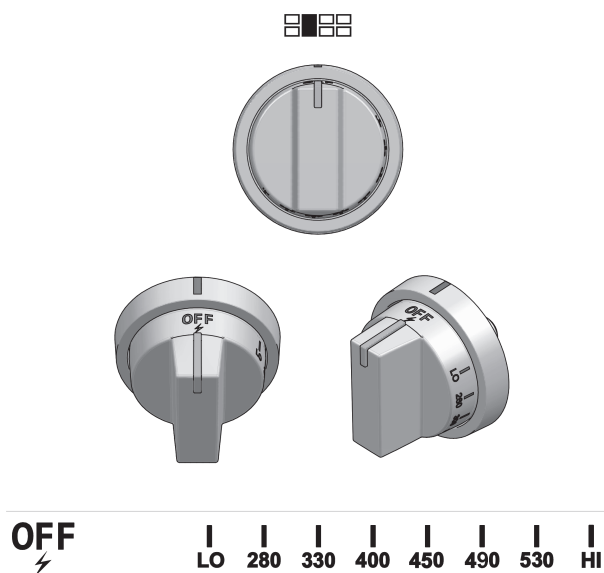
- Tournez le bouton dans le sens horaire: le système de fil incandescent démarre et quand il sera à la lueur maximale, le brûleur Il produit une flamme.
- La plaque chauffante a une lumière de mise sous tension qui s'allume lorsque le thermostat de la plaque chauffante est allumé et le commutera «OFF» quand il sera à la température sélectionnée.

Extinction du brûleur

Tournez le bouton dans le sens antihoraire aussi loin que possible position arrêt.

Assurez-vous que la flamme s'éteint complètement.

BOUTON DU BRÛLEUR À GRIL



⚠ ATTENTION

La plage doit être à niveau pour que le gril fonctionne convenablement.

⚠ CAUTION

- Ne surchauffez pas le gril. Ceci peut endommager le revêtement du gril.
- N'utilisez pas d'ustensiles métalliques qui pourraient endommager la surface du gril.
- Eteignez toujours en cas d'inutilisation ou baissez le chauffage entre les charges de cuisson.
- N'utilisez pas le gril pour d'autres buts, par exemple comme une planche pour découper ou une étagère de stockage.
- Ne cuisez pas excessivement les aliments gras. La graisse pourrait se déverser.
- Le gril peut devenir très chaud. Utilisez des gants lorsque vous placez ou retirez le gril.
- Ne retirez pas le gril tant que les grilles de la cuisinière, les surfaces et le gril lui-même n'ont pas refroidi.
- Le gril est assez lourd. Utilisez les deux mains lorsque vous placez ou retirez le gril.

Conseils pour la cuisson

- Pré-chauffez la plaque du gril pendant environ 20 minutes, ensuite réglez la température désirée.
- Utilisez de l'huile de cuisson liquide, des aérosols de cuisson, ou du beurre pour les œufs, les pancakes, les pains dorés, le poisson et les sandwiches. Ceci permettra d'éviter que les aliments ne collent. (Utilisez des graisses/huiles qui peuvent tolérer une haute température)
- Tapotez les aliments mouillés avec des serviettes en papier pour éviter les éclaboussures pendant le gril.
- Retirez les particules alimentaires avec une spatule métallique pendant la cuisson pour faciliter le nettoyage et pour éviter d'inclure ces particules dans les aliments.

Tableau de cuisson au gril

Aliment	°F	°C
Œufs	250 - 300	121 - 149
Bacon	325 - 350	163 - 177
Pancakes	375 - 450	191 - 232
Pain doré	425	218
Filets de poisson	300	149
Légumes	300	149
Hamburgers	350	177
Steaks	350	177



IMPORTANT

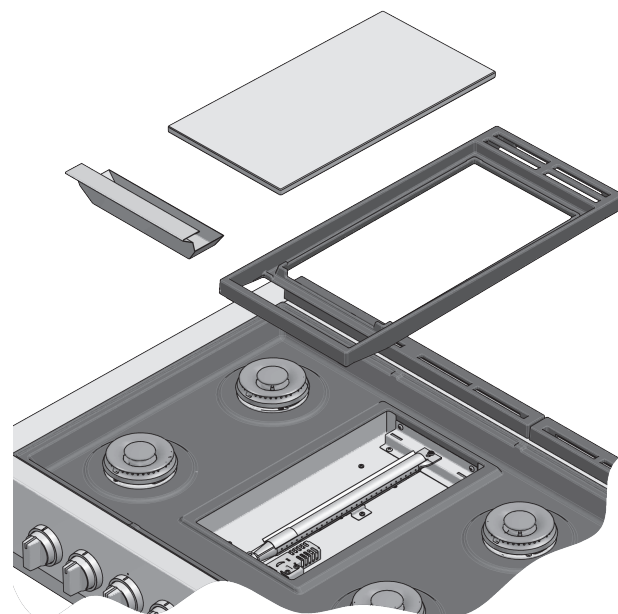
Après chaque cuisson, veillez à vider le bac à égouttement et replacez-le correctement sous le gril.

Avant de nettoyer, assurez-vous que toutes les commandes sont éteintes et que le gril est froid.

1. Retirez la plaque du gril de la base du brûleur et nettoyez-la selon la section nettoyage.
2. En cas de nettoyage du boîtier du brûleur avec un chiffon humide (les zones de l'injecteur de gaz et du fil incandescent sans nettoyage agents et tout autre matériel).
3. Remettez la plaque chauffante en place en faisant attention position correcte.
4. Allumez le brûleur.

Si le brûleur ne s'allume pas, attendez quelques minutes et répétez l'opération. Si le brûleur ne s'allume toujours pas, ne réparez pas le brûleur à gaz vous-même. Contactez un spécialiste formé aux réparations.

VUE ÉCLATÉE DU GRIL-BRÛLEUR



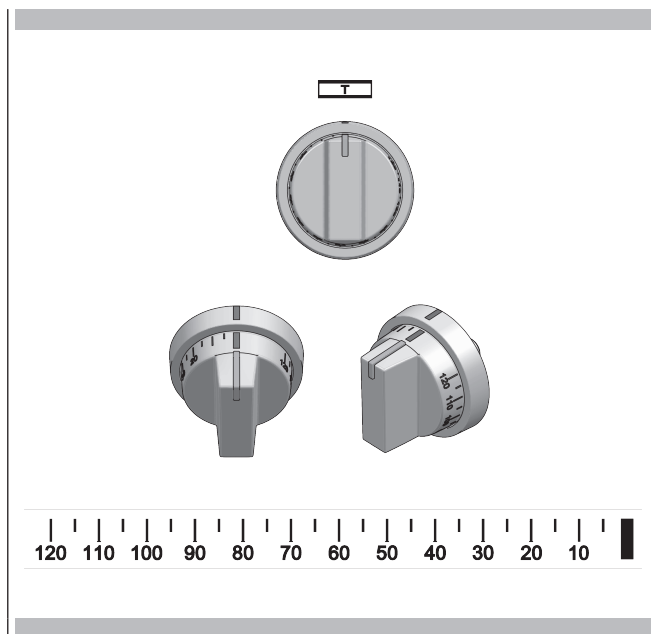
Bouton du minuteur normal

(pag. 7 référence 8)

(0 à 120 min)

En tournant complètement le bouton dans le sens des aiguilles d'une montre et en amenant l'aiguille sur un temps donné affiché en minutes sur le tableau, la sonnerie du dispositif sera actionné à la fin du temps fixé (120 min. max.).

Pendant la marche du minuteur, le bouton revient graduellement au "0" et indiquera ainsi combien de minutes il y a encore pour arriver au temps affiché.



IMPORTANT: Ne jamais laisser des casseroles vides cuire sur une surface de cuisson chaude ou sur un brûleur chaud.

Le récipient idéal pour cuisiner a une base plate, des bords droits et un couvercle qui ferme hermétiquement. Il doit avoir une épaisseur de moyenne à large. Des finitions rugueuses peuvent rayer la table de cuisson. Les récipients de cuisine peuvent être en aluminium ou en cuivre, cependant si leur base est en aluminium ou en cuivre, ils peuvent laisser des marques indélébiles sur la table de cuisson ou sur les grilles. Selon le matériau du récipient, la chaleur se transmet plus ou moins vite et de manière plus ou moins égale ce qui évidemment affecte les résultats de cuisson. Une finition anti-adhérente a les mêmes caractéristiques que le matériau de la base. Par exemple, un récipient en aluminium avec une finition anti-adhérente prendra les propriétés de l'aluminium. Consultez la liste suivante pour reconnaître les caractéristiques de chaque type de matériau.

Caractéristiques des Matériaux

Aluminium:

chauffe rapidement et de façon uniforme. Convient à tous les types de cuisine. Une épaisseur moyenne à large est parfaite pour la plupart des tâches de cuisson.

Fer forgé:

chauffe lentement et de manière uniforme. Idéal pour dorer et frire, il maintient bien la chaleur pour les plats devant cuire à feu lent.

Céramique ou vitrocéramique:

suivre les instructions du fabricant. Chauffe lentement mais de manière irrégulière. Donne les meilleurs résultats à des températures basses ou moyennes.

Cuivre:

chauffe très rapidement et de manière uniforme.

Faïence:

suivre les instructions du fabricant. L'utiliser sur feu bas.

Porcelaine émaillée sur acier ou acier inoxydable: voir acier inoxydable ou fer forgé.

Acier inoxydable:

chauffe rapidement mais de manière inégale. La base ou le noyau en aluminium sur de l'acier inoxydable permet un réchauffement uniforme.

Le Diamètre de la Casserole Doit Correspondre au Diamètre de la Flamme

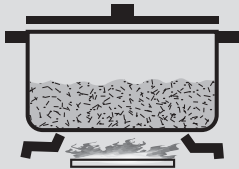



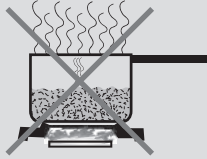
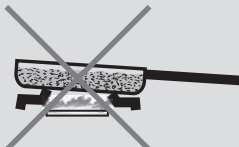
La flamme devrait avoir le même diamètre (ou un petit peu moins) que la base du récipient. Ne pas utiliser des petits récipients sur une flamme haute car les flammes pourraient brûler les côtés du récipient. Des récipients hors-mesure qui occupent deux brûleurs, doivent être placés de l'avant vers l'arrière et non pas sur deux brûleurs côte à côte.

Utiliser des récipients équilibrés

Les casseroles doivent être stables sur les grilles de la table de cuisson, elles ne doivent pas osciller. Centrer le récipient sur le brûleur.

Utiliser un couvercle qui s'adapte parfaitement sur le récipient

Un couvercle qui ferme hermétiquement signifie une durée de cuisson plus courte. Des casseroles à la base plate et lourde fournissent une chaleur uniforme et stable.

⚠ AVERTISSEMENT	
RECIPIENT EQUILIBRE	
CONCAVE (HOLLOW)	
CONVEX (ROUNDED)	
NE PAS UTILISER PETITS RECIPIENTS SUR FLAMME HAUTE	
UTILISER COUVERCLE QUI S'ADAPTE PERFAITEMENT	
RECIPIENT NE PAS EQUILIBRE	

Vous pouvez en toute sûreté nettoyer la table de cuisson à l'aide d'une éponge humide et savonneuse, puis la rincer et l'essuyer. Dans le cas de taches tenaces, suivez les méthodes de nettoyage recommandées ci-dessous.

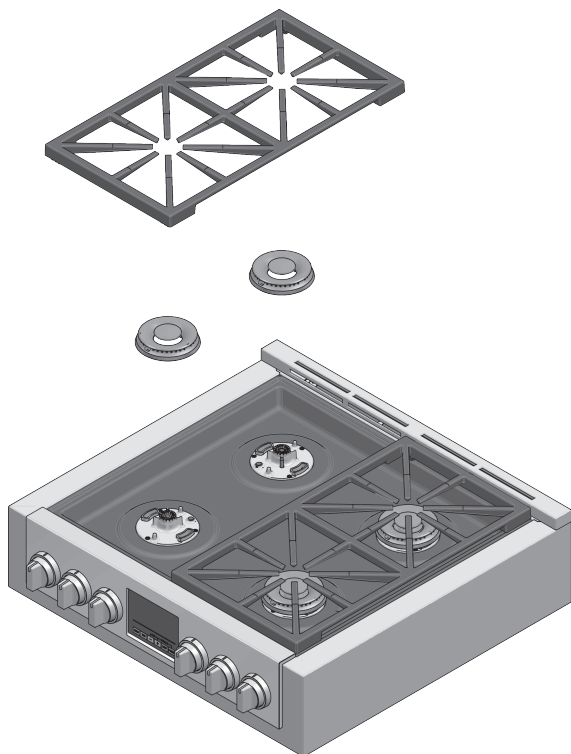


ATTENTION

- Avant de commencer à nettoyer, vous assurer que les brûleurs sont bien éteints et que les grilles sont froides.
- Parmi les détergents adaptés, toujours choisir le plus doux. Utilisez des chiffons doux, des éponges ou des serviettes en papier propres.
- Frottez les finitions de l'acier inoxydable dans le sens du grain. Bien sécher afin d'éviter les taches d'eau.
- Ne jamais nettoyer les pièces amovibles de la table de cuisson dans un four autonettoyant.
- Après avoir fini de nettoyer et avant d'utiliser à nouveau la table de cuisson, remettez les pièces à leur place.

Les produits d'entretien conseillés ci-dessous et à la page suivante indiquent le type de détergents et ne constituent en aucune façon une forme de publicité d'une marque en particulier. Lisez les instructions d'emploi de chaque produit avant de l'utiliser.

NETTOYAGE DE LA TABLE DE CUISSON



NETTOYAGE DE LA TABLE DE CUISSON

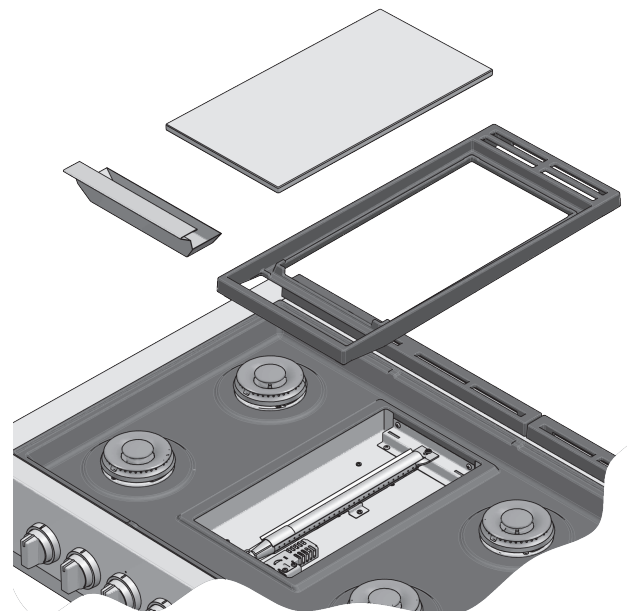


Table de Cuisson / Produits d'Entretien Conseillés

Pièces et matériaux	Produits conseillés	Suggestions/rappels
Base du brûleur (alliage aluminium)	Chiffon humide.	Maintenez l'injecteur de gaz propre et empêchez les produits nettoyants ou d'autres matériaux d'entrer dans l'orifice de l'injecteur.
Diffuseur de flamme (alliage aluminium)	Détergent et eau chaude: rincez et séchez. Brosse à dent nylon à poils durs pour nettoyer les orifices. Produits nettoyants abrasifs: revere ware® metal polish. Suivre les instructions sur la boîte. Utilisez Brillo® ou des tampons S.O.S.®. Rincer et sécher.	Frottez doucement en un mouvement circulaire. Des produits nettoyants pour aluminium peuvent dépolir la surface. Pour nettoyer l'orifice du diffuseur, utilisez une brosse à dent ou une agrafe ouverte.
Diffuseur de flamme (Laiton)	Lavez-les à l'eau chaude et savonneuse, rincez et séchez. Utilisez une brosse de nylon aux soies raides ou un trombone à bout droit pour nettoyer les encoches du diffuseur de flamme.	Frottez doucement en un mouvement circulaire. Des produits nettoyants pour laiton peuvent dépolir la surface. Pour nettoyer l'orifice du diffuseur, utilisez une brosse à dent ou une agrafe ouverte.
Chapeau du brûleur et grille (porcelaine émaillée sur fer forgé)	Produits nettoyants non-abrasifs: eau chaude et détergent, Fantastic, Formula 409. Rincez et séchez immédiatement. Produits nettoyants doux: Bon Ami® et Soft Scrub®. Produits nettoyants abrasifs pour taches rebelles: paillettes métalliques imbibées de savon.	Les grilles sont lourdes: les soulever avec précaution, les placer sur une surface protégée. Il est normal de trouver boursoufflures/craquelures/ éclats étant donné les températures extrêmes sur les tiges de la grille et les rapides changements de température. Des débordements de substances acides ou sucrées peuvent détériorer l'émail. Nettoyez tout de suite. Des produits nettoyants abrasifs, si utilisés trop souvent ou trop vigoureusement peuvent à la longue endommager l'émail.
Triple grille (trois couches de grille en acier inoxydable / aluminium)	Avertissement : il y a un risque de brûlure lorsque l'on nettoie une surface de cuisson qui est toujours chaude ! Ne nettoyez pas les surfaces de cuisson avec des poudres abrasives ou des détergents agressifs. Nettoyez la surface de cuisson avec des cubes de glace ou de l'eau froide.	Après chaque utilisation : Eteignez l'appareil et attendez qu'il refroidisse jusqu'à environ 195/215 F (90/100 C) 20/30min. Essuyez le gril avec un chiffon sec, épais et rugueux pour retirer tous les résidus et particules résiduelles. Placez des cubes de glace sur la surface de cuisson l'un après l'autre ; détachez simultanément la saleté avec la spatule, retirez les résidus et amassez-les dans l'égouttoir. Vous pouvez utiliser de l'eau froide à la place des cubes de glace. Lorsque la surface de cuisson est froide, toutes les tâches laissées par le blanc d'œuf ou l'acide présent dans les aliments peut être retiré avec du jus de citron et un chiffon propre. Rincez complètement avec un chiffon humide. Recouvrez d'une fine couche d'huile de cuisson. Si la surface de cuisson était déjà froide avant le nettoyage, chauffez-la à 100 C puis éteignez à nouveau.

Pièces et matériaux	Produits conseillés	Suggestions/rappels
Finition externe (porcelaine émaillée)	Eau chaude savonneuse. Rincez et bien essuyez. Produits nettoyants non-abrasifs: ammoniacque, Fantastic®, Formula 409®. Produits nettoyants abrasifs doux: Bon Ami®, Ajax® et Comet®. Produits nettoyants liquides: Kleen King®, Soft Scrub®.	Les débordements de substances acides ou su crées endommagent l'émail. Nettoyez immédiatement. Ne pas utiliser une éponge ou un chiffon mouillé sur la porcelaine chaude. Quand vous utilisez des produits abrasifs, toujours les appliquer en exerçant une pression minimum.
Boutons de commande (acier inoxydable)	Eau chaude savonneuse. Rincez et essuyez tout de suite. Si nécessaire, retirez les boutons (tirer vers le haut).	Ne pas faire tremper les boutons. Ne pas utiliser des produits pour nettoyer ou frotter qui sont abrasifs. Ne pas remettre les boutons en forçant sur le pivot de la soupape. Pour extraire les boutons du panneau de commande, les tirer droit vers soi. Lorsque vous remettez les boutons, vous assurer qu'ils sont en position OFF. Ne pas enlever le tampon d'étanchéité sous les boutons.
Finition externe (acier inoxydable)	Produits nettoyants non-abrasifs: eau chaude et détergent, Fantastic®, Formula 409. Rincez et essuyez tout de suite. Crème nettoyante Stainless Steel Magic ® pour protéger la finition contre les taches et les marques et rehausser l'aspect. Taches d'eau rebelles: vinaigre blanc de cuisine. Produits nettoyants abrasifs doux: Kleen King® stainless steel liquid cleaner, Cameo® aluminium & stainless steel, Bon Ami®. Contre la décoloration due à la chaleur: Bar Keepers Friend®.	L'acier inoxydable résiste à la plupart des taches et des marques aussi longtemps que vous nettoyez bien et protégez la surface. Ne jamais laisser des taches d'aliments ou de sel sur l'acier inoxydable, même un court instant. Frottez légèrement dans le sens de la finition. Le chlore ou certains composants de chlore dans les détergents sont corrosifs pour l'acier inoxydable. Avant d'utiliser un détergent, vérifier sa composition sur l'étiquette. Appliquez les produits nettoyants abrasifs avec le minimum de pression possible, particulièrement sur les lignes dessinées.
Allumeurs (céramique)	Nettoyez avec précaution à l'aide d'un bout de coton humidifié avec de l'eau, de l'ammoniacque ou Formula 409®. Enlevez la saleté en frottant doucement avec un cure-dent.	Évitez d'utiliser trop d'eau sur l'allumeur. Un allumeur humide empêchera le brûleur de s'allumer. Enlevez tout reste de tissu qui serait resté accroché après le nettoyage.
Bac à égouttement (acier inoxydable)	Laissez refroidir la table de cuisson avant de nettoyer. Retirez, videz et nettoyez l'égouttoir.	Nettoyez le bac avec de l'eau chaude savonneuse. Essuyez la zone sous l'égouttoir. Une fois qu'il est sec, remplacez le bac à égouttement en position. Bac d'égouttement de graisse en acier inoxydable compatible lave-vaisselle.

Avant d'appeler un dépannage, vérifiez ce qui suit pour éviter des charges de dépannage non nécessaires.

PROBLÈME	SOLUTION DES PROBLÈMES PAR ÉTAPE
L'allumage ne fonctionne pas	
Le câble électrique est-il bien branché?	Branchez l'appareil à une prise à 3 fils reliée à la terre.
Est-ce un fusible ou le disjoncteur différentiel qui a sauté?	Remplacez le fusible ou ré-enclencher le disjoncteur.
Les brûleurs de surface ne fonctionnent pas	
Est-ce la première fois que les brûleurs sont utilisés?	Allumez n'importe quel brûleur de surface afin de libérer l'air dans les conduites de gaz.
Le bouton de commande est-il sur la bonne position?	Enfoncez le bouton avant de le tourner vers la position désirée.
Les orifices du brûleur sont-ils obstrués?	Lire la section "Brûleurs de surface étanches".
Les flammes des brûleurs sont inégales, jaunes et/ou font du bruit	
Les orifices des brûleurs sont-ils obstrués?	Lire la section " Brûleurs de surface étanches".
Les chapeaux des brûleurs sont-ils bien en place?	Lire la section "Brûleurs de surface étanches".
Vous utilisez du gaz propane?	L'appareil a peut-être été mal converti. Contactez un technicien d'entretien.
Le brûleur de surface émet un cliquetis	
Le brûleur est-il humide?	Le laisser sécher.
Le chapeau et le diffuseur de gaz sont-ils bien en place?	Assurez-vous que les pivots sont bien alignés et lisez la section "Brûleurs de surface étanches".
Le récipient de cuisson est-il beaucoup plus grand que l'espace de grille prévu ?	Enlever temporairement le récipient, si le cliquetis cesse puis revient lorsque l'on replace le récipient, cela est dû à la taille trop grande de ce dernier. On peut toujours continuer à cuisiner avec le récipient, mais le cliquetis continuera jusqu'à ce que la cuisson soit terminée.
Chaleur excessive autour des récipients utilisés	
Le récipient a-t-il la bonne taille?	Utilisez un récipient qui ait plus ou moins le même diamètre que celui de l'aire de cuisson, de l'élément ou du brûleur de surface. Les récipients ne devraient pas dépasser de plus de 1 in. (2,5 cm) l'aire de cuisson.
Les résultats de cuisson ne sont pas ceux escomptés	
Utilisez-vous le bon récipient?	Lire la section "Batterie de cuisine".
Avez-vous mis le bouton sur la position correcte?	Lire la section "Utilisation des boutons de commande".

Avant d'appeler l'assistance ou le service après-vente, veuillez bien vérifier la section « Solution aux problèmes ». Ceci peut vous faire économiser le coût d'un appel à un centre de service. Si vous avez cependant besoin d'aide, suivre les indications cidessous. Lorsque vous appelez, soyez prêt à indiquer la date d'achat, le modèle complet ainsi que le numéro de série de votre appareil. Ces informations nous permettront de mieux répondre à vos questions.

Données de Service

Pour un centre de service autorisé ou de l'information sur les pièces, voir le "GARANTIE pour l'électroménager".

Notez cette information dans l'espace prévu à cet effet cidessous. Gardez votre facture pour la validation de votre garantie.

Service Data Record

Numéro de modèle _____

Numéro de série _____

Date d'installation ou Occupancy _____

TABLA DE MATERIAS	PAGE
1 - Precauciones de Seguridad	2
2 - Instrucciones de Seguridad	4
Advertencias para Instalación de Gas y Eléctrica	4
3 - Características del anafe	5
4 - Características de su Placa de Cocción	6
5 - Funcionamiento de la Placa de Cocción	9
Configuración de las perillas de control de gas	9
Quemadores de gas	9
Quemadores con llamas de dos coronas	9
Quemadores de Superficie Bien Sellados	10
6 - Funcionamiento de la Placa de Cocción a Gas	11
Encendido eléctrico de gas	11
Consejos de Cocina	12
Tabla de Plancha de Cocinado	12
7 - Cuentaminutos	13
Boton del cuentaminutos normal	13
8 - Recipientes de Cocina	14
Características de los Materiales	14
Adecuar el Diámetro del la Llama al del Recipiente	14
9 - Limpieza de la Placa de Cocción	15
Placa de Cocción / Productos de Limpieza Aconsejados	16
10- Resolución de los Problemas de Funcionamiento	18
11- Servicio de Asistencia Técnica	19
Registro de datos para el mantenimiento	19

Preste la debida atención a los siguientes símbolos que encontrará en el manual.



ADVERTENCIA

- Este es el símbolo de los avisos relacionados con la seguridad: alerta sobre potenciales peligros que pueden derivar en muerte o daños a las personas.
- Si no sigue estas instrucciones, puede correr peligro de muerte o de resultar gravemente herido.

LEA Y CONSERVE ESTAS INSTRUCCIONES.



ADVERTENCIA

Si no se siguen exactamente las instrucciones de esta guía, se puede ocasionar un incendio o explosión que dé como resultado daños materiales, lesiones personales o la muerte.

NO almacene ni use gasolina u otros vapores y líquidos inflamables cerca de esta unidad o de cualquier otro electrodoméstico.

QUÉ HACER SI PERCIBE OLOR A GAS:

-NO intente encender ningún electrodoméstico.

-NO toque ningún interruptor eléctrico.

-NO use ningún teléfono dentro del edificio.

-Llame inmediatamente al proveedor de gas desde el teléfono de su vecino. Siga las instrucciones del proveedor de gas.

-Si no se puede comunicar con el proveedor de gas, llame al departamento de bomberos.

Un instalador calificado, una agencia de servicio o el proveedor de gas debe realizar la instalación y el servicio.

IMPORTANTE: Guarde estas instrucciones para el uso del inspector eléctrico local.

INSTALADOR: Por favor deje este manual con el propietario para futuras consultas.

PROPIETARIO: Por favor, conserve este manual para futuras consultas.



INSTRUCCIONES IMPORTANTES

Por favor, lea todas las instrucciones antes de utilizar este aparato.



ADVERTENCIA

Su nueva cocina ha sido diseñada para ser un aparato seguro y fiable si se usa de la manera apropiada. **Lea atentamente todas las instrucciones antes de utilizar este aparato. Estas precauciones reducirán los riesgos de sufrir quemaduras, descargas eléctricas, fuego y lesiones. Cuando se utilizan aparatos de cocina es preciso seguir algunas precauciones básicas de seguridad, incluyendo las siguientes:**

Un técnico cualificado tiene que instalar correctamente este aparato y realizar una buena puesta a tierra. Conecte solo a una puesta a tierra apropiada. Vea las instrucciones de Conexión de puesta a tierra que se encuentran en las Instrucciones de Instalación.

- Solo un técnico calificado puede proporcionar mantenimiento a este aparato. Póngase en contacto con el centro de mantenimiento autorizado más cercano para la inspección, reparación y ajustes.
- No repare o reemplace ninguna pieza del aparato a menos que le haya sido recomendado específicamente. Solicite mantenimiento a un centro autorizado.
- No utilice esta unidad si no funciona bien o si está dañada hasta que un técnico del servicio autorizado la haya inspeccionado.
- Instale o coloque este aparato de acuerdo con las instrucciones de instalación.
- Utilice esta cocina solo para el uso especificado por su fabricante. Si tiene alguna duda, póngase en contacto con el mismo.
- No cubra ni bloquee las aberturas de este aparato.
- Use este aparato solo el uso para el que ha sido concebido como se describe en este manual. No use productos químicos corrosivos, vapores, productos inflamables o no alimenticios en este aparato. Este tipo de aparato ha sido diseñado específicamente para calentar o cocinar alimentos. No está diseñado para uso industrial o de laboratorio. El uso de productos químicos corrosivos cuando calienta o limpia el estufa dañará el aparato.
- En el caso de encenderse la ropa o el cabello, **ÉCHESE AL PISO y DESE VUELTAS DE INMEDIATO** para apagar las llamas.



ADVERTENCIA

- Si el aceite en el que está cocinando prende fuego, puede **EXTINGUIR LAS LLAMAS** con una tapa que encaje bien con la sartén y la cubra por completo, o bien con una bandeja de estufa o algún tipo de bandeja de metal. Después, apague el quemador.
- **SI TIENE CUIDADO, EVITARÁ QUEMADURAS.**
- Si las llamas no se apagan inmediatamente, **SALGA DE LA HABITACIÓN Y LLAME A LOS BOMBEROS.**
- No utilice agua, ni trapos o toallas húmedos para apagar un fuego provocado por aceite. Podría provocar una violenta explosión.
- **NUNCA COJA UNA SARTÉN EN LLAMAS:** podría quemarse.
- Tenga **SIEMPRE** un **DETECTOR DE INCENDIOS** que funcione correctamente cerca de la cocina.
- **DEJE SIEMPRE LA CAMPANA EXTRACTORA DE HUMOS ENCENDIDA** cuando flambee alimentos.
- **NUNCA** use este electrodoméstico como un calentador de espacio o para calentar la habitación. Hacerlo puede provocar envenenamiento por monóxido de carbono y recalentar el horno.

Para reducir el riesgo de quemaduras mientras cocina, siga los siguientes consejos:

- No deje a niños o mascotas solos o sin supervisión en una habitación en la que haya electrodomésticos en funcionamiento. No permita que se sienten o se apoyen en ninguna parte del electrodoméstico. No almacene materiales inflamables sobre la placa de cocción ni cerca de ella.
- Cuando utilice la placa de cocción: **NO TOQUE LAS PARRILLAS DE LOS QUEMADORES NI LA ZONA QUE ESTÁ INMEDIATAMENTE ALREDEDOR.**
- Utilice únicamente paños o manoplas de cocina secos para manejar los recipientes: si utiliza manoplas húmedas o mojadas en superficies calientes, podría quemarse con el vapor del agua.
- No deje jamás la placa de cocción sin supervisión mientras esté encendida. Las salpicaduras de los recipientes provocan humo y si se derrama grasa, puede prender fuego. Una salpicadura en un quemador puede apagar parte de la llama o la llama entera, o impedir que la chispa prenda. Si se derrama algún alimento, apague el quemador y compruebe que funciona correctamente. Si el quemador funciona con normalidad, puede volver a encenderlo.
- Cuando esté cocinando, gradúe la intensidad de la llama de forma que caliente únicamente la base de la sartén: las llamas no deben sobresalir de la base.

- Asegúrese de que no haya corrientes de aire (como las provocadas por ventiladores) que conduzcan materiales inflamables hacia las llamas o que extiendan la llama más allá de los bordes del recipiente que esté utilizando.
- Coloque siempre los mangos de los utensilios hacia dentro, de forma que no se sitúen sobre las áreas de trabajo colindantes, los quemadores o el borde de la placa de cocción.
- Cuando cocine, utilice siempre la vestimenta adecuada. No utilice nunca ropa demasiado holgada ni mangas colgantes. No permita que la ropa, los trapos de cocina u otros materiales inflamables entren en contacto con los quemadores o las parrillas de los quemadores cuando estén calientes.
- Utilice únicamente recipientes adecuados para cocinas de gas, como determinados tipos de cristal, cerámica vidriada refractaria, barro u otros utensilios vitrificados.
- No limpie la placa de cocción mientras esté caliente. Algunos limpiadores producen un humo nocivo si se utilizan en superficies calientes



PRECAUCIÓN

No permita que los quemadores ni las parrillas entren en contacto con papel de aluminio, plástico o tela mientras estén calientes. Y tampoco coloque sartenes o recipientes vacíos sobre el fuego encendido.



PRECAUCIÓN

No almacene objetos que puedan atraer la atención de los niños encima del aparato. Si se suben al electrodoméstico para alcanzar dichos objetos, podrían sufrir graves lesiones.



PRECAUCIÓN

Mantener el área del electrodoméstico limpia y libre de materiales combustibles, gasolina y otros vapores y líquidos inflamables.

**ADVERTENCIA**

- Mantenga los encendedores limpios y secos para lograr un encendido y rendimiento óptimos de los quemadores.
- En caso de que un quemador se apague y haya una fuga de gas, abra una ventana o una puerta. Espere al menos 5 minutos antes de volver a utilizar la placa de cocción.
- No obstruya el flujo de combustión ni el de ventilación.
- No usar papel de aluminio para alinear ninguna parte de la estufa pues se fusionará durante la cocción arruinando el esmalte .
- Si la cocina combinada se encuentra cerca de una ventana, asegúrese de que haya cortinas, estores o cualquier otro elemento que cubra la ventana que puedan volar cerca de los quemadores, ya que podrían incendiarse.

Advertencias para Instalación de Gas y Eléctrica**En caso de que deba efectuar una instalación de gas propano**

La placa de cocción ha sido diseñada para ser utilizada con gas natural.

Pero puede transformarse para utilizarse con gas propano utilizando el kit de conversión para gas propano que le ha sido entregado con la placa de cocción.

Asegúrese de que la unidad que está usted instalando es la adecuada para el tipo de gas que va a utilizar.

**ADVERTENCIA**

La instalación y el mantenimiento de este electrodoméstico deben ser efectuados por un instalador cualificado, una agencia técnica o el proveedor de gas.

**PRECAUCIÓN**

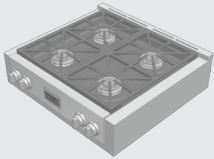
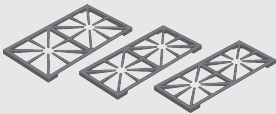
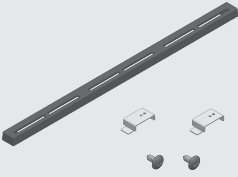
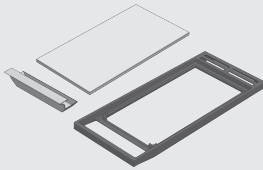
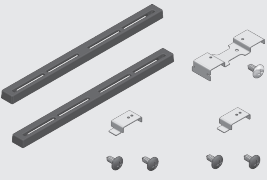
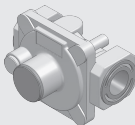

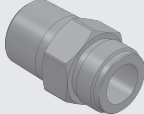
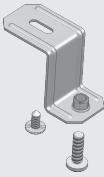
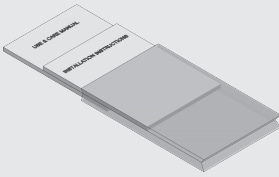
- Desenchufe siempre el aparato de la toma de red de la pared antes de comenzar la revisión o las operaciones de mantenimiento.
- Estos dispositivos deben contar con una toma de tierra para su seguridad.
- No corte ni retire el tercer cable (el cable de tierra) del cable del aparato, bajo ninguna circunstancia.

**PRECAUCIÓN**

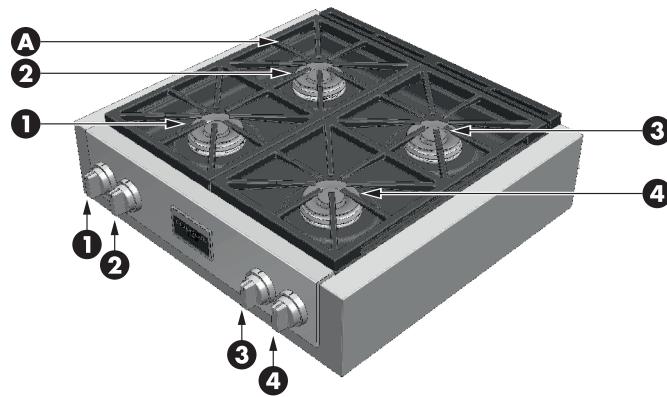
Cuando conecte la unidad al gas propano, asegúrese de que la bombona de propano está equipada con su propio regulador de alta presión. Además, el regulador de presión que se suministra con el aparato debe estar en el conducto de entrada del aparato.

En caso de interrupción del suministro eléctrico

Si por algún motivo, enciende un quemador y no hay energía eléctrica para operar el encendedor electrónico de la placa de cocción, ponga en posición de APAGADO todos los mandos de la placa de cocción y espere 5 minutos para que se disipe el gas que haya podido salir antes de encender el quemador de forma manual. Para encender el quemador manualmente, acerque con cuidado una cerilla encendida a los orificios del quemador y presione y gire el mando correspondiente hasta la posición HI (alta), hasta que se encienda la llama. Después, gire el mando para graduar la llama a la intensidad deseada.

CONTENIDOS DE SU CAJA SEGÚN LA GAMA					
	CANT	DESCRIPCIÓN		CANT	DESCRIPCIÓN
	1	ESTUFA		2	REJA DE HIERRO FUNDIDO
					Posc. PARA LA GAMA 30"
				3	Posc. PARA LA GAMA 36", 48"
	1	FOR 30"-36" RANGETOP 1x 1" AJUSTE DE LA ISLA DE HIERRO FUNDIDO 2x TORNILLOS DE FIJACIÓN 2x SOPORTES		1	PLANCHA (PARA RANGO 48")
	1	FOR 48" RANGETOP 1x 1" AJUSTE DE LA ISLA DE HIERRO FUNDIDO 2x TORNILLOS DE FIJACIÓN 2x SOPORTES		1	REGULADOR DE PRESIÓN
	1	JUNTA/ARANDELA		1	NIPLO
	1	SOPORTES DE FIJACIÓN			DOCUMENTACIÓN GENERAL & MANUAL
				1	"INSTRUCCIONES DE INSTALACIÓN"
				1	"USO Y CUIDADO"
				1	KIT DE CONVERSIÓN GAS

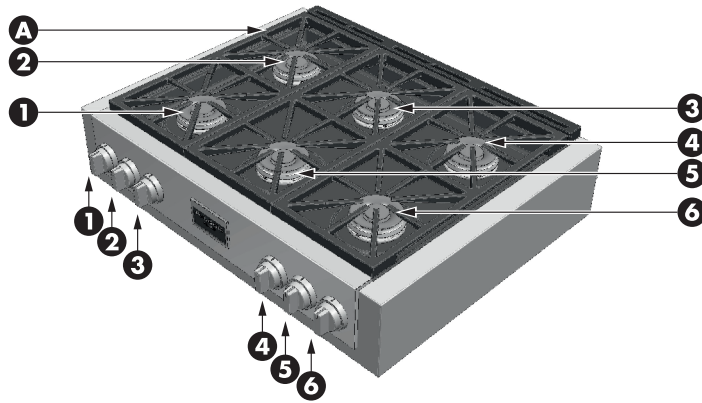
PLACA DE COCCIÓN 30"



A. Hornallas

CALIFICACIONES DE SALIDA DEL QUEMADOR: BTU/HR	Gas NG (Natural) Gas 5" W.C.P.	LP (Propano) Gas, 10" W.C.P.
1 CORONAS DOBLES (Quemador y mando correspondiente)	750 a 18000 Btu/h (220 a 5300W)	750 a 15000 Btu/h (220 a 4400W)
2 CORONAS DOBLES (Quemador y mando correspondiente)	750 a 18000 Btu/h (220 a 5300W)	750 a 15000 Btu/h (220 a 4400W)
3 CORONAS DOBLES (Quemador y mando correspondiente)	750 a 18000 Btu/h (220 a 5300W)	750 a 15000 Btu/h (220 a 4400W)
4 CORONAS DOBLES (Quemador y mando correspondiente)	750 to 18000 Btu/h (220 to 5300W) 750 to 20000* Btu/h (220 to 5850W)	750 a 15000 Btu/h (220 a 4400W)

PLACA DE COCCIÓN 36"

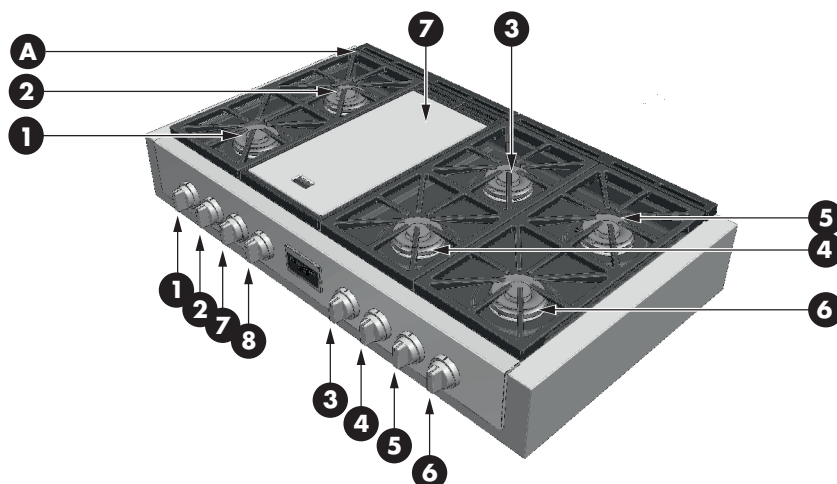


A. Hornallas

CALIFICACIONES DE SALIDA DEL QUEMADOR: BTU/HR	Gas NG (Natural) Gas 5" W.C.P.	LP (Propane) Gas, 10" W.C.P.
1 CORONAS DOBLES (Quemador y mando correspondiente)	750 to 18000 Btu/h (220 to 5300W) 750 to 20000* Btu/h (220 to 5850W)	750 a 15000 Btu/h (220 a 4400W)
2 CORONAS DOBLES (Quemador y mando correspondiente)	750 a 18000 Btu/h (220 a 5300W)	750 a 15000 Btu/h (220 a 4400W)
3 CORONAS DOBLES (Quemador y mando correspondiente)	750 a 18000 Btu/h (220 a 5300W)	750 a 15000 Btu/h (220 a 4400W)
4 CORONAS DOBLES (Quemador y mando correspondiente)	750 a 18000 Btu/h (220 a 5300W)	750 a 15000 Btu/h (220 a 4400W)
5 CORONAS DOBLES (Quemador y mando correspondiente)	750 a 18000 Btu/h (220 a 5300W)	750 a 15000 Btu/h (220 a 4400W)
6 CORONAS DOBLES (Quemador y mando correspondiente)	750 to 18000 Btu/h (220 to 5300W) 750 to 20000* Btu/h (220 to 5850W)	750 a 15000 Btu/h (220 a 4400W)

* (en algunos modelos)

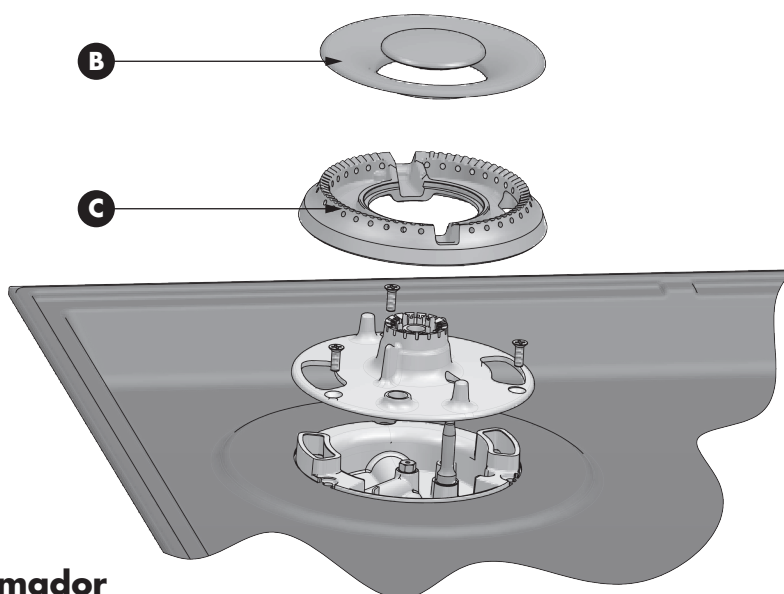
PLACA DE COCCIÓN 48"



A. Hornallas

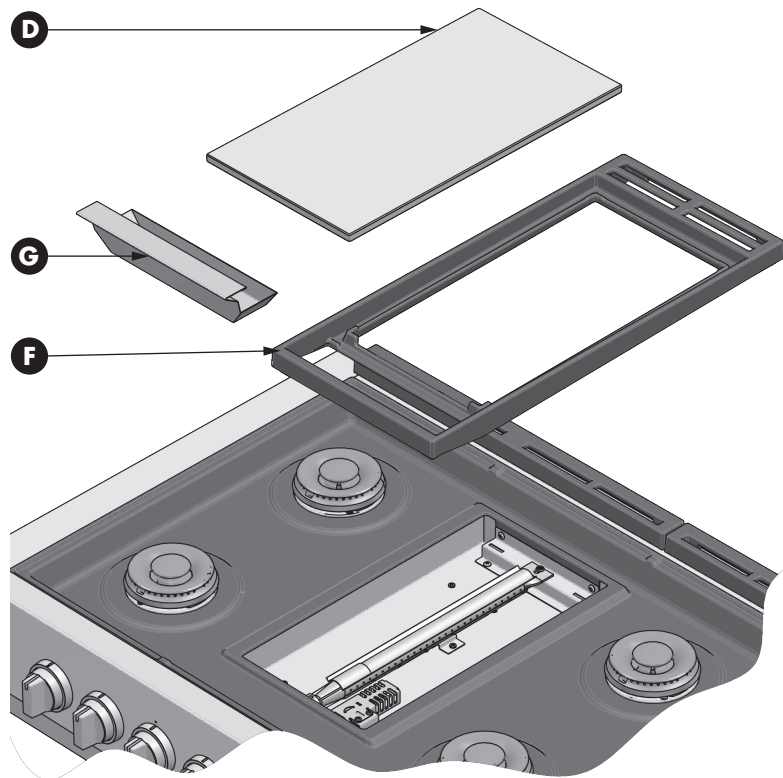
CALIFICACIONES DE SALIDA DEL QUEMADOR: BTU/HR MODELO: 48"	NG (Natural) Gas, 5" W.C.P	LP (Propane) Gas, 10" W.C.P.
1 CORONAS DOBLES (Quemador y mando correspondiente)	750 to 20000 Btu/h (220 to 5850W)	750 to 15000 Btu/h (220 to 4400W)
2 CORONAS DOBLES (Quemador y mando correspondiente)	750 to 18000 Btu/h (220 to 5300W)	750 to 15000 Btu/h (220 to 4400W)
3 CORONAS DOBLES (Quemador y mando correspondiente)	750 to 18000 Btu/h (220 to 5300W)	750 to 15000 Btu/h (220 to 4400W)
4 CORONAS DOBLES (Quemador y mando correspondiente)	750 to 18000 Btu/h (220 to 5300W)	750 to 15000 Btu/h (220 to 4400W)
5 CORONAS DOBLES (Quemador y mando correspondiente)	750 to 18000 Btu/h (220 to 5300W)	750 to 15000 Btu/h (220 to 4400W)
6 CORONAS DOBLES (Quemador y mando correspondiente)	750 to 20000 Btu/h (220 to 5850W)	750 to 15000 Btu/h (220 to 4400W)
7 GRIDDLE (Quemador y mando correspondiente)	2000 to 11500 Btu/h (590 to 3370W)	2000 to 11500 Btu/h (590 to 3370W)
8 CUENTAMINUTOS NORMAL (Boton)	Vea Boton del cuentaminutos normal, Pág. 13.	

QUEMADOR



- B. Cubierta del quemador
- C. Difusor de gas del quemador

PLANCHA

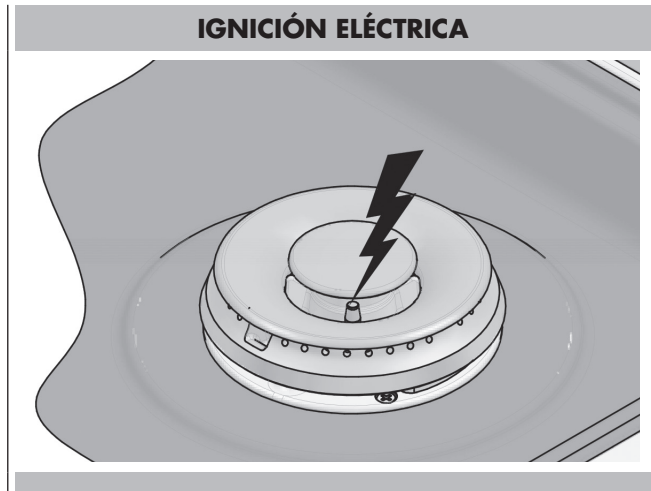


- D - Placa Plancha**
- G - Bandeja recogegotas**
- F - Soporte Placa Plancha**

Configuración de las perillas de control de gas

Ignición eléctrica del gas

El quemador de gas está provisto de un dispositivo eléctrico de encendido cerca de cada quemador que garantiza el encendido de los quemadores.



Modelo reencendido automático

El reencendido automático electrónico enciende el quemador de superficie con el botón del control correspondiente, girado de forma a garantizar un flujo de gas suficiente para mantener la llama.

Si una llama se apaga por una razón cualquiera, el encendedor se activa automáticamente para volver a encenderla.

NOTA: Esta característica se suministra como una comodidad y no se ha concebido como una característica de seguridad.

Para realizar el ajuste:

- Pulsar y girar un botón en el sentido antihorario; un clic indica que la chispa se ha activado. El quemador produce entonces una llama y acciona el reencendido automático.



ADVERTENCIA

- No utilice el quemador con cazuelas vacías o sin cazuelas en la parrilla.
- No toque el quemador cuando los encendedores están emitiendo chispas.
- No deje la llama del quemador extenderse más allá del borde de la cazuela.
- Apague todos los controles cuando no esté cocinando.

Un error cuando se siguen estas instrucciones puede provocar heridas a las personas o fuego.

Quemadores de gas

El diseño de los quemadores de gas de los modelos de esta placa de cocción permite una opción satisfactoria cuando el tamaño, la potencia y la cocción a fuego lento son de importancia primordial.

Quemadores con llamas de dos coronas

Este quemador especial tiene dos coronas de combustión separadas para suministrar una real regulación de calentamiento total desde la alta potencia a la cocción a fuego lento.

1. Empuje y gire la perilla a la izquierda dentro del intervalo principal Hi-Lo, la llama principal y la llama para fuego lento se encienden y permanecen encendidas.
2. Ajuste la temperatura deseada dentro del rango principal HI - LO.

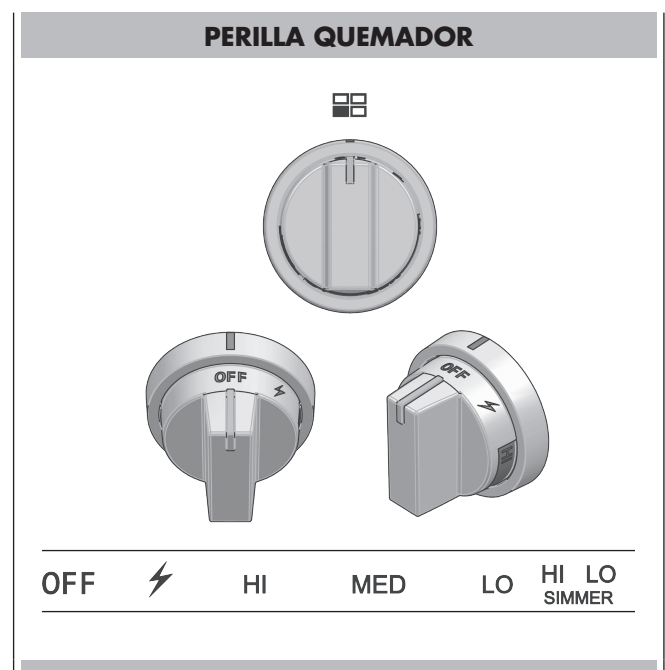
NOTA: El botón está previsto para detenerse en un valor intermedio (MED). Para continuar hasta el valor bajo y/o fuego lento (LO/Simmer), pulsar el botón mientras se sigue girando en el sentido antihorario. Este método no sirve para pasar de LO/Simmer a OFF.

Ajuste de cocción a fuego lento

Siga girando la perilla a la izquierda hasta el rango "HILO SIMMER." La corona externa se apaga y el ajuste de la temperatura puede hacerse utilizando solamente la corona interna.

Apagado del quemador

Gire el mando a la derecha lo más que pueda hasta la posición de apagado. Asegúrese de que la llama esté completamente apagada.



Las llamas del quemador

Encienda todos los quemadores. Las llamas deberían ser de color azul con un toque de amarillo. No deberían agitarse o alejarse del quemador. El cono interior de la llama debería ser de entre 1/2" (1,2 cm) y 3/4" (1,9 cm) de largo

NOTA: • La presencia de materiales extraños en el tubo de gas, en particular en las construcciones nuevas, puede provocar la aparición de una llama naranja durante las operaciones iniciales. El color naranja desaparece con las utilizaciones sucesivas. Las puntas amarillas son normales en las llamas producidas con gas licuado de petróleo.

- Si la llama no es uniforme alrededor del quemador, esperar que la placa de cocción se enfríe y, después, comprobar que el quemador está ensamblado correctamente.

Quemadores de Superficie Bien Sellados

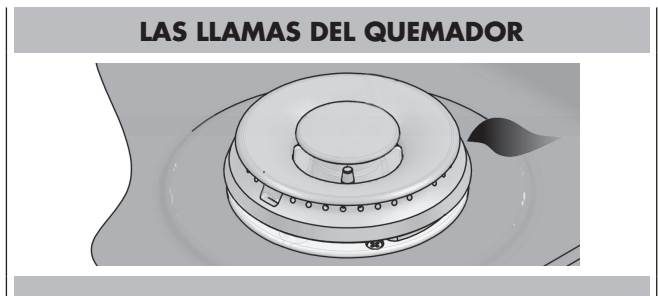
⚠ IMPORTANTE
No obstruya el caudal de combustión de la ventilación del aire alrededor de los lados de la rejilla del quemador.

Tapa del quemador y difusor de gas

Cuando use una superficie del quemador tenga cuidado siempre de que la tapa del quemador y el difusor del gas estén en su lugar. Mantenga la cubierta del quemador y el difusor limpios para impedir un mal encendido y llamas desiguales. Limpie siempre estas partes tras un derramamiento y como rutina limpie siguiendo las recomendaciones que se indican en la sección "Limpieza General".

Base del quemador e inyector

El gas debe fluir sin obstáculos por el orificio del inyector para prender correctamente. Mantenga la zona del inyector limpia e impida que los restos de alimentos, productos de limpieza o cualquier otro material bloqueen la abertura del orificio. Protéjalo durante la limpieza.



Antes de encender el quemador, asegúrese de que:

- El difusor de gas esté acoplado correctamente y el pasador de alineación esté alineado correctamente con la ranura de la base del quemador.

- La tapa esté acoplada correctamente y el pasador de alineación esté alineado correctamente con la ranura del difusor de gas.

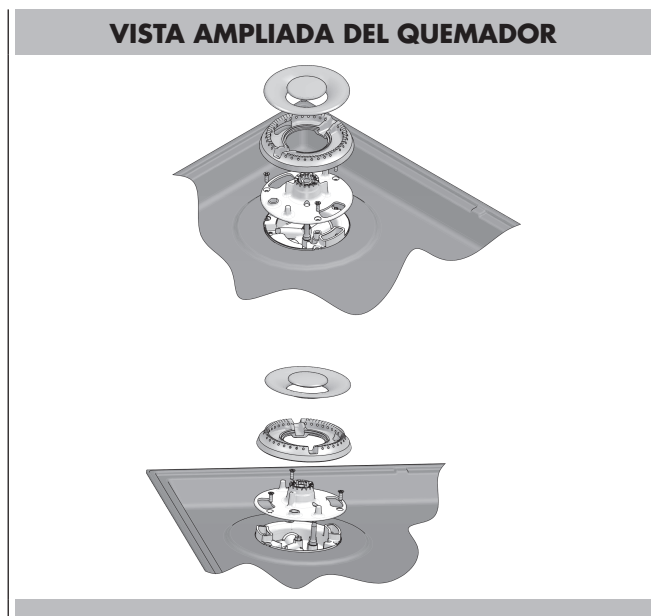
Ranuras de los quemadores

Compruebe periódicamente las llamas que emite el quemador. El color de una llama normal es azul, no amarillo o naranja. Mantenga la zona limpia e impida que salpicaduras o restos de alimentos, productos de limpieza o cualquier otro material entren en los ranuras de los quemadores.

Cómo limpiar los quemadores:

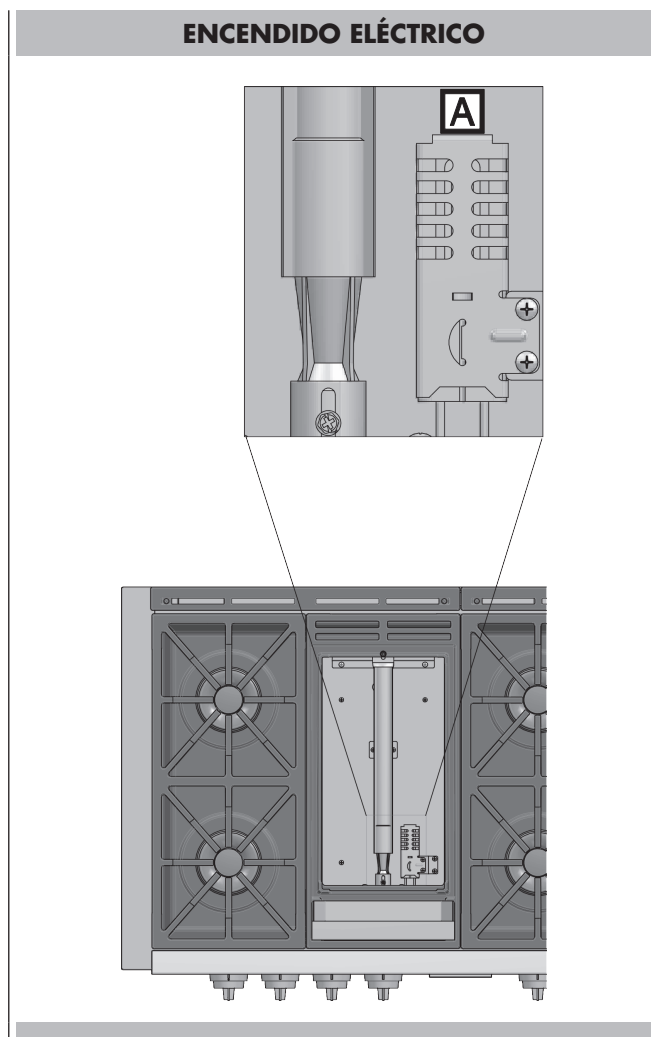
⚠ IMPORTANTE
Antes de empezar a limpiar, asegúrese de que todos los mandos estén en la posición de apagado y compruebe que la placa de cocción esté fría.

1. Retire la tapa del quemador de la base del quemador y límpiela siguiendo las instrucciones de la sección de limpieza.
2. Retire el difusor del quemador. Limpie la abertura del conducto de gas y la ranura del quemador siguiendo las instrucciones recogidas en la sección de limpieza.
3. Limpie la base del quemador con un paño húmedo. No utilice detergentes: es importante impedir que el orificio del inyector se obstruya con productos de limpieza u otros materiales.
4. Vuelva a colocar el difusor y la tapa del quemador en su sitio comprobando que se acoplen perfectamente.
5. Encienda el quemador. Si no se enciende, compruebe que la tapa y el difusor del quemador están bien acoplados. Si están en buen estado y bien acoplados, pero el quemador sigue sin encenderse, póngase en contacto con un técnico especialista para su reparación, no intente hacerlo usted mismo.



Encendido eléctrico de gas

El quemador de la plancha utiliza un cable de encendido eléctrico ubicado cerca del quemador que asegura el encendido del quemador. Se controla termostáticamente para mantener una temperatura constante. Está controlado por termostato para mantener una temperatura constante. Para evitar que los alimentos se peguen, es necesario "estacionar"; la plancha antes de usarla.



(A) ALAMBRE DE ENCENDIDO

Para ajustar:

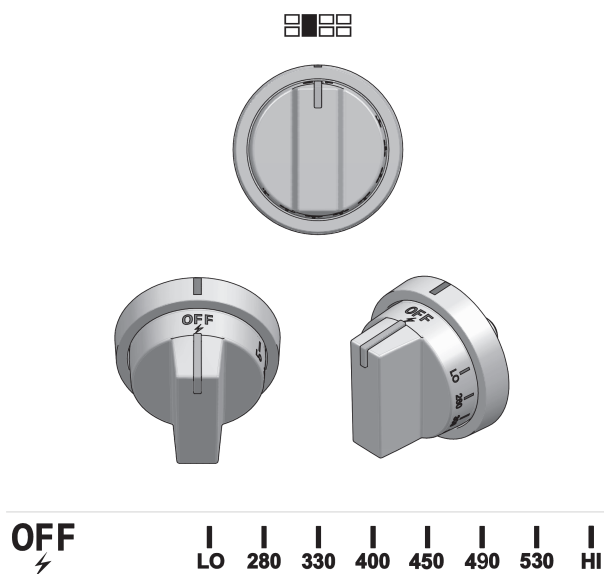
- Gire la perilla en sentido horario: se iniciará el sistema de cable incandescente y cuando esté al máximo brillo, el quemador producirá una llama
- La plancha tiene una luz de "ENCENDIDO" que se ilumina cuando el termostato de la plancha está encendido y lo cambiará "APAGADO" cuando estará a la temperatura seleccionada.

Apagando el quemador

Gire la perilla en sentido antihorario hasta el tope fuera de posición.

Asegúrese de que la llama se extinga por completo.

BOTÓN DEL QUEMADOR DE LA PLANCHA



⚠ ADVERTENCIA

El rango debe estar nivelado para que la plancha funcione adecuadamente.

⚠ PRECAUCIÓN

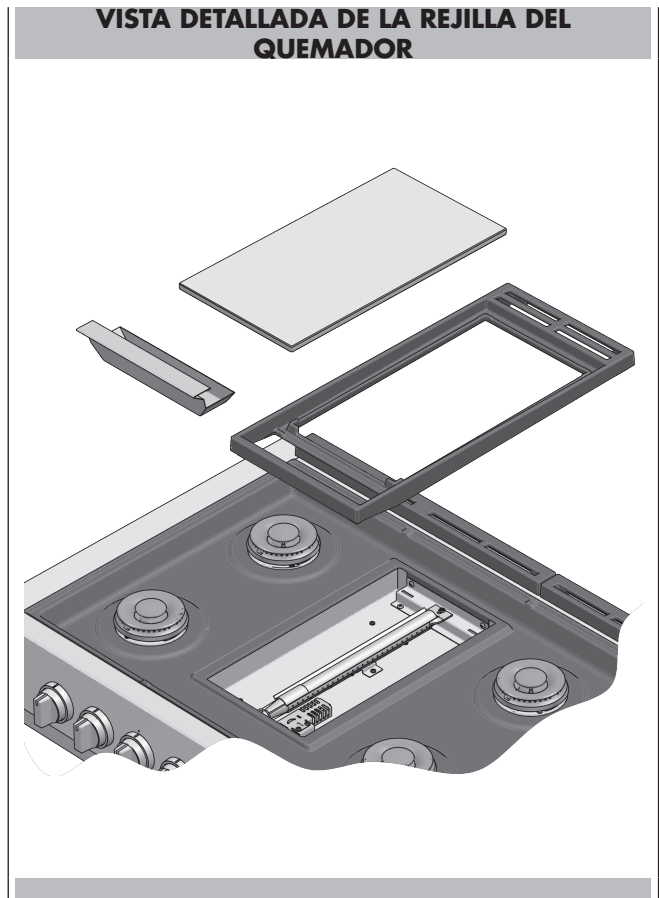
- No recaliente la plancha. Esto puede dañar el revestimiento de la plancha.
- No use utensilios de metal que puedan dañar la superficie de la plancha.
- Apague siempre cuando no esté en uso o descienda el calor entre las cargas de cocina.
- No use la plancha para otros propósitos, por ejemplo, como tabla de cortar o como estante de almacenamiento.
- No cocine alimentos excesivamente grasosos. La grasa podría derramarse.
- La plancha puede calentarse mucho. Use guantes para horno cuando coloque o retire la plancha.
- No retire la plancha hasta que la parrilla, las superficies y la plancha misma se enfríen.
- La plancha es bastante pesada. Use ambas manos cuando coloque o retire la plancha.

Consejos de Cocina

- Precaliente la plancha de la parrilla por unos 20 minutos, luego ajuste la temperatura deseada.
- Use aceite de cocina líquido, aerosoles para cocinar o mantequilla para huevos, panquecas, tostadas francesas, pescado y sándwiches. Esto ayudará a reducir la adherencia. (Use solo grasas/aceites que resistan altas temperaturas)
- Sacuda los alimentos húmedos con una toalla de papel para evitar salpicaduras durante el asado.
- Remueva las partículas de alimentos con una espátula de metal mientras cocina para facilitar la limpieza y evitar que esas partículas se introduzcan en los alimentos.

Tabla de Plancha de Cocinado

Alimentos	°F	°C
Huevos	250 - 300	121 - 149
Bacon	325 - 350	163 - 177
Panquecas	375 - 450	191 - 232
Tostada francesa	425	218
Filetes de Pescado	300	149
Vegetales	300	149
Hamburguesas	350	177
Bistecs	350	177



IMPORTANTE

Después de cada cocción asegúrese de vaciar y limpiar la bandeja de goteo y vuelva a colocarla en su lugar adecuado debajo de la plancha.

Antes de limpiarla, asegúrese que todos los controles estén apagados y que la plancha esté fría.

1. Saque la placa de la plancha de la base del quemador y límpiela de acuerdo con la sección de limpieza.
2. En caso de que limpie la caja del quemador con un paño húmedo (mantenga el inyector de gas y las áreas de alambre incandescente sin limpieza agentes y cualquier otro material).
3. Vuelva a colocar la placa de la plancha, prestando atención a la posición correcta.
4. Encienda el quemador.

Si el quemador no se enciende, espere un par de minutos y repita la operación. Si el quemador todavía no se enciende, no realice el servicio del quemador de gas usted mismo. Contacte un especialista entrenado en reparación.

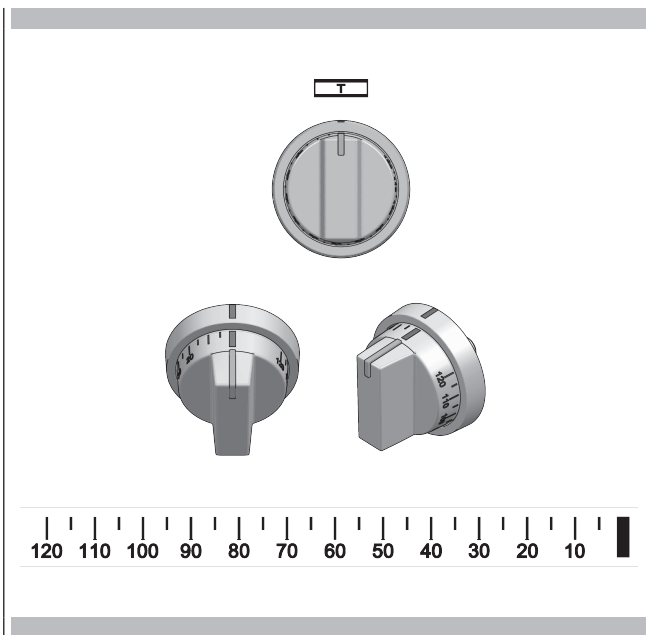
Boton del cuentaminutos normal

(pag. 7 referencia 8)

(0 to 120 min)

Dando una vuelta completa al botón en el sentido de las manecillas del reloj y llevando luego el índice en correspondencia con un tiempo cualquiera, indicado en el cuadro en minutos, se obtendrá el accionamiento de la señal acústica del dispositivo una vez alcanzado el tiempo seleccionado (máx. 120 min).

Durante el funcionamiento del cuentaminutos, el botón respectivo vuelve progresivamente hacia "0" en modo automático al pasar los minutos, indicando así cuánto tiempo falta para completar la operación.



IMPORTANTE: No deje nunca un recipiente vacío sobre una parrilla o un quemador caliente. Los recipientes ideales para cocinar deberían tener una base plana, laterales rectos y una tapa que encaje perfectamente.

Deberían ser de un espesor medio-alto. Los acabados rugosos podrían rayar la placa de cocción.

Los recipientes de cocina pueden ser de aluminio y cobre, pero si la base está hecha con esos materiales, pueden dejar marcas permanentes en la placa de cocción o en las parrillas.

El material de los recipientes es un factor que contribuye a determinar la velocidad y uniformidad a la que se transfiere el calor, cosa que afecta al resultado del plato que esté preparando. Un acabado antiadherente tiene las mismas características que el material de la base. Por ejemplo, un recipiente de aluminio con un acabado antiadherente, tendrá las propiedades del aluminio. Consulte la siguiente guía para conocer las características de cada material.

Características de los Materiales

Aluminio:

calienta de forma rápida y uniforme. Es adecuado para todo tipo de cocina. El espesor medioalto es el mejor para la mayor parte de las tareas de cocina.

Hierro fundido:

calienta lenta y uniformemente. Es ideal para dorar y freír. Mantiene muy bien el calor y por eso es adecuado para cocinar a fuego lento.

Cerámica o cerámica vidriada:

sigua las instrucciones del fabricante. Calienta lentamente, pero de manera irregular. Da unos buenísimos resultados a temperaturas bajas y medias.

Cobre:

calienta muy rápidamente y de manera uniforme.

Barro:

sigua las instrucciones del fabricante. Utilícelo con fuego bajo.

Acero o hierro fundido con porcelana vitrificada:

lea el apartado de acero inoxidable o de hierro fundido.

Acero inoxidable:

calienta rápidamente, pero de manera poco uniforme. Una base de aluminio o cobre en un recipiente de acero inoxidable proporciona un calentamiento uniforme.

Adecuar el Diámetro del la Llama al del Recipiente

La llama debería tener el mismo diámetro (o un poco menos) que la base del recipiente. No utilice sartenes pequeñas con una llama alta, porque las llamas podrían comerse los laterales del recipiente. Las sartenes o cazuelas de gran tamaño que requieran el uso de dos quemadores, deberían ponerse entre un quemador trasero y uno frontal, y no de lado a lado de la placa de cocción.

Utilice recipientes equilibrados




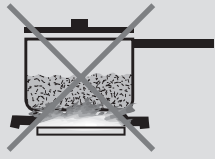
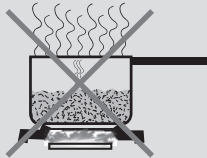
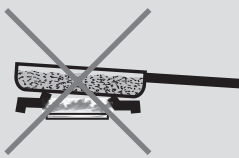
Las sartenes y ollas deben asentarse de manera estable en

la parrilla de la placa de cocción, no deben bailar. Centre el recipiente sobre el quemador.

Utilice una tapa que encaje perfectamente con el recipiente

Una tapa adecuada ayuda a acortar el tiempo de cocción. Las sartenes con fondos planos y pesados proporcionan un calor uniforme y una gran estabilidad.

⚠ **ADVERTENCIA**

RECIPIENTE EQUILIBRADO	
CÓNCAVO	
CONVEXO	
ADECUE EL DIÁMETRO DE LLAMA AL RECIPIENTE	
UTILICE UNA TAPA QUE ENCAJE PERFECTAMENTE	
RECIPIENTE NO EQUILIBRADO	

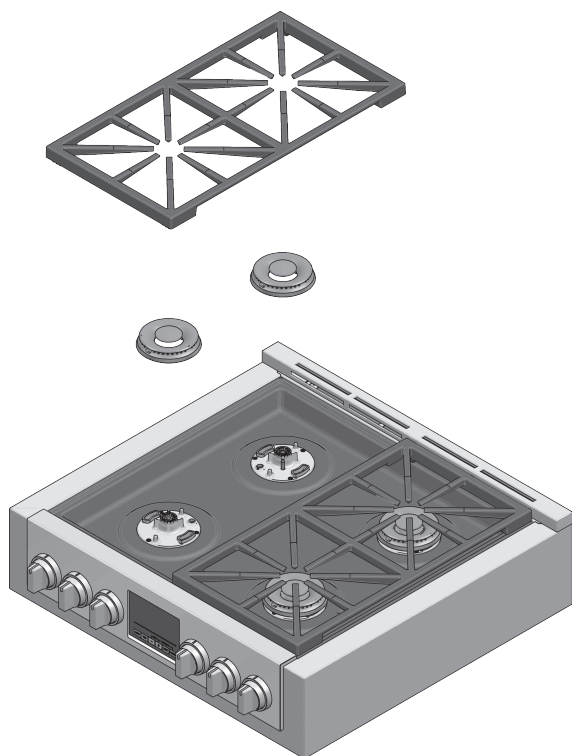
Puede limpiar toda la placa de cocción utilizando un paño o esponja embebidos en jabón. Una vez limpia, aclare y seque la superficie. Si queda alguna mancha más resistente, siga alguna de las recomendaciones que encontrará abajo.

PELIGRO

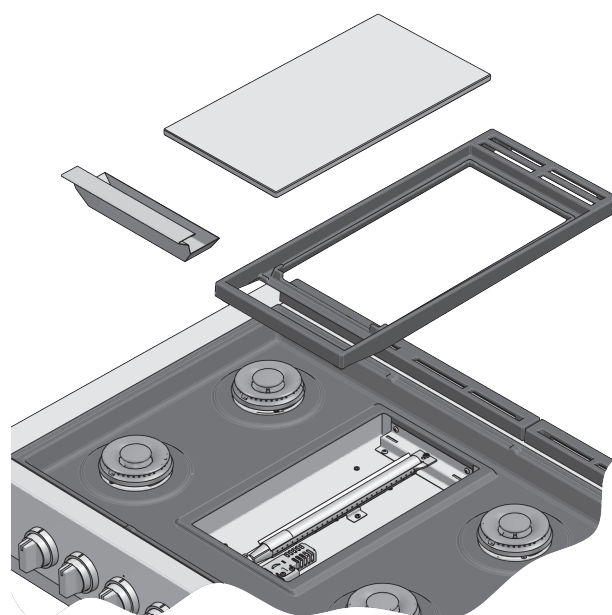
- Antes de limpiar, asegúrese de que los quemadores están apagados y de que las parrillas están frías.
- Utilice siempre un limpiador neutro para limpiar la placa. Utilice también paños suaves, esponjas o papel de cocina limpios.
- Frote el acero inoxidable siguiendo las marcas del acabado de superficie. Seque bien la zona que haya limpiado para evitar que queden marcas de agua.
- No limpie ninguno de los elementos extraíbles de la placa de cocción en un horno con sistema de autolimpieza.
- Una vez haya limpiado todo, vuelva a colocar cada pieza en su lugar antes de volver a utilizar la cocina.

Los productos de limpieza recogidos a continuación han sido seleccionados como recomendación: su inclusión en este documento no constituye en modo alguno una forma de publicidad. Siga las instrucciones de uso de cada producto.

LIMPIEZA DE LA PLACA DE COCCIÓN



LIMPIEZA DE LA PLACA DE COCCIÓN



Placa de Cocción / Productos de Limpieza Aconsejados

Partes y materiales	Productos aconsejados	Sugerencias y recordatorios
Base del quemador (aleación de aluminio)	Paño húmedo.	Mantenga el inyector de gas limpio: impida que entren productos de limpieza u otros materiales en el orificio del inyector.
Difusor de llama (aleación de aluminio)	Detergente y agua caliente. Aclarar y secar. Cepillo de dientes con cerdas de nailon para limpiar los orificios. Limpiadores abrasivos: limpia metales reverse ware® metal polish. Siga las instrucciones del envase Utilice Brillo® o S.O.S.®. Aclare y seque.	Frote suavemente con movimientos circulares. Los limpiadores para aluminio pueden apagar el brillo de la superficie. Para limpiar el orificio del difusor, utilice un cepillo de dientes o un clip abierto.
Difusor de gas (Latón)	Lávelos en agua caliente con jabón, aclare y seque. Use un cepillo de nylon rígido o clip de papel con la punta recta para limpiar las ranuras del propagador de llama.	Frote suavemente con movimientos circulares. Los limpiadores para latón pueden apagar el brillo de la superficie. Para limpiar el orificio del difusor, utilice un cepillo de dientes o un clip abierto.
Tapas de los quemadores y parrillas (porcelana esmaltada sobre hierro fundido)	Limpiadores no abrasivos: agua caliente y detergente, Fantastic, Formula 409. Aclare y seque de inmediato. Limpiadores abrasivos suaves: Bon Ami® y Soft Scrub®. Limpiadores abrasivos para manchas rebeldes: esponjas de lana de acero con jabón.	Las parrillas son pesadas: tenga cuidado al levantarlas y colóquelas en una superficie protegida. Las burbujas, las grietas y las astillas son habituales dadas las extremas temperaturas a las que están expuestas las parrillas y los rápidos cambios de temperatura. Las salpicaduras ácidas y de azúcar deterioran el esmalte. Retire las manchas de inmediato. Los limpiadores abrasivos, si se utilizan de manera demasiado enérgica o demasiado a menudo, pueden acabar dañando el esmalte
Plancha Trilaminar (tres capas de plancha en acero inoxidable / aluminio)	Advertencia: ¡Existe el peligro de quemaduras cuando se limpia una superficie de cocinado que está aun caliente! Nunca limpie la superficie de cocinado con polvos abrasivos o detergentes agresivos. Limpie la superficie de cocinado con cubos de hielo o agua fría.	Después de Cada Uso: Apague el aparato y espere hasta que se enfríe a unos 195/215 F (90/100 C) 20/30min. Limpie la plancha con un paño seco grueso y fuerte para remover cualquier residuo restante y partículas de alimentos. Coloque cubos de hielo individuales en la superficie de cocinado uno tras otro, simultáneamente despegue la suciedad con la espátula y elimine el sucio de la plancha y acumúlela en la bandeja de goteo. También puede usar agua fría como alternativa a los cubos de hielo. Cuando la superficie de cocinado esté fría, las manchas que dejan las claras de huevo o los ácidos de los alimentos se pueden eliminar con jugo de limón y un paño limpio. Enjuague bien con un paño húmedo. Cubra ligeramente con aceite de cocina. Si la superficie de cocinado ya estaba fría antes de limpiarla, caliéntela a 100 C y luego apáguela de nuevo.

Partes y materiales	Productos aconsejados	Sugerencias y recordatorios
Acabado exterior (porcelana esmaltada)	Agua caliente con jabón. Aclare y seque bien. Limpiadores no abrasivos: amoníaco, Fantastic, Formula 409. Aclare y seque de inmediato. Limpiadores abrasivos suaves: Bon Ami®, Ajax® y Comet®. Limpiadores líquidos: Kleen King®, Soft Scrub®.	Las salpicaduras ácidas y de azúcar deterioran el esmalte. Limpie las manchas de inmediato. No utilice esponjas o paños húmedos en la porcelana caliente. Aplique siempre los limpiadores abrasivos de forma suave, sin ejercer mucha presión
Mandos de control (acero inoxidable)	Agua caliente con jabón. Aclare y seque bien. Si es necesario, retire los mandos (tirando de ellos hacia arriba).	No moje los mandos. No utilice productos de limpieza o estropajos abrasivos. No fuerce los mandos. Para extraer los mandos, tire de ellos hacia arriba, de forma perpendicular al panel en el que se alojan. Cuando vuelva a colocar los mandos en su lugar, asegúrese de que los coloca en la posición de APAGADO. No extraiga los precintos que hay debajo de los mandos
Acabado exterior (acero inoxidable)	Limpiadores no abrasivos: agua caliente y detergente, Fantastic®, Formula 409. Aclare y seque de inmediato. Abrillantador Stainless Steel Magic® para proteger el acabado de manchas y marcas y mejorar su aspecto. Marcas de cal: vinagre blanco de cocina. Limpiadores abrasivos suaves: Kleen King® stainless steel liquid cleaner, Cameo® aluminium & stainless steel, Bon Ami®. Para decoloración por calor: Bar Keepers Friend®.	El acero inoxidable es muy resistente a la mayoría de las manchas de comida y a las rayaduras, siempre y cuando la superficie se mantenga limpia y protegida. No permita que las manchas de comida o sal permanezcan durante mucho tiempo sobre el acero inoxidable. Frote con suavidad siguiendo la dirección del acabado del acero. El cloro o los compuestos de cloro son corrosivos para el acero inoxidable. Compruebe los componentes de sus productos de limpieza antes de utilizarlos. Aplique los limpiadores abrasivos ejerciendo la mínima presión posible.
Encendedores (cerámica)	Límpielos cuidadosamente con un poco de algodón humedecido con agua, amoníaco o Fórmula 409®. Raspe con cuidado la suciedad con un mondadientes.	Evite utilizar demasiada agua para limpiar el encendedor. Un encendedor húmedo no conseguirá encender el quemador. Retire cualquier hilo de algodón que pueda quedar después de la limpieza.
Bandeja de goteo (acero inoxidable)	Deje que la placa de cocción se enfríe antes de limpiar. Retire, vacíe, y limpie la bandeja recogegotas.	Limpie la bandeja recogegotas con agua jabonosa tibia. Limpie el área debajo de la bandeja recogegotas. Una vez seca, coloque la bandeja recogegotas de nuevo en su posición. Bandeja recogegotas de grasa de acero inoxidable apta para lavavajillas.

Antes de llamar y solicitar el servicio, controle lo siguiente para evitar cargas de servicio innecesarias.

PROBLEMA	PASOS PARA RESOLVER LOS PROBLEMAS
La ignición no funciona	
Está la placa bien enchufada?	Enchufe el aparato a un enchufe con toma de tierra.
Ha revisado los fusibles y ha comprobado que no haya saltado ningún diferencial?	Sustituya los fusibles de la caja general o compruebe si se ha disparado el automático o un diferencial en la caja general de entrada.
Los quemadores no funcionan	
Es la primera vez que utiliza los quemadores?	Gire cualquiera de los mandos para liberar aire de los conductos de gas.
Los mandos están bien colocados?	Presione los mandos antes de girarlos.
Están obstruidas las ranuras de los quemadores?	Lea la sección "Los quemadores".
Las llamas de los quemadores son irregulares, amarillas o hacen ruido	
Están obstruidas las ranuras de los quemadores?	Lea la sección "Los quemadores".
Están bien colocadas las tapas de los quemadores?	Lea la sección "Los quemadores".
Está utilizando gas propano?	Puede que la placa de cocción no haya sido adaptada de forma correcta. Llame al servicio técnico.
El quemador hace ruidos como chasquidos	
Están mojados o húmedos?	Deje que se sequen.
Están las tapas y el difusor de llama bien colocados?	Asegúrese de que están bien alineados. Lea la sección "Los quemadores".
Es el recipiente de cocción mucho más grande que el espacio de la rejilla asignado?	Retirar el recipiente temporalmente. Si cesa el ruido, volver a poner el recipiente ya que se debe a que el recipiente es de mayor tamaño. Puede seguir cocinando con el recipiente, pero el ruido continuará hasta que se complete la cocción.
Hay demasiado calor alrededor de la sartén	
La sartén es del tamaño adecuado?	Utilice una sartén u olla aproximadamente del mismo diámetro del de la superficie de la zona de cocción. El diámetro de la llama no debe superar el del recipiente y el recipiente no debe sobresalir más de 2,5 cm de la zona de cocción.
Los resultados no son los que cabía esperar	
Está utilizando los recipientes adecuados?	Lea la sección "Recipientes de cocina".
La intensidad del quemador está graduada correctamente?	Lea la sección "Uso de los mandos".

Antes de ponerse en contacto con el servicio de asistencia técnica, lea la sección "Solución de problemas". Puede que hacerlo le ahorre la llamada. Si no encuentra la solución a su problema en esta sección, siga las instrucciones que encontrará más abajo.

Cuando llame al servicio de asistencia, tenga a mano los siguientes datos: fecha de compra, referencia completa del modelo y número de serie de su placa de cocción. Esa información nos ayudará a atenderle.

Registro de datos para el mantenimiento

Cómo obtener servicio de mantenimiento. Para información sobre servicio autorizado o refacciones, ver el "GARANTÍA para electrodomésticos".

Ahora es un buen momento para anotar esta información en el espacio proporcionado abajo. Guarde su factura para validar la garantía.

Registro de datos para mantenimiento

Número del Modelo _____

Número de Serie _____

Fecha de instalación y ocupación _____

FULGOR MILANO
