

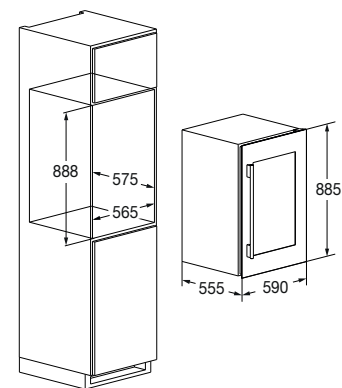


Wine Cellar 88

FWC 8800 TC BKX



- Stainless steel finish
- Digital touch display
- Reversible door
- Capacity: 40 bottles Ø 76 mm
- Ventilated cooling
- Control light indicator
- Interior LED lighting
- Two temperature zones



Features

The wine cellar column has an upper and lower area and features an independent temperature regulation from +5°C to +20°C. Moreover, the cellar is equipped with antivibration and anticondensation systems and a UV-insulating glass pane. This appliance comes with 5 beech wood sliding shelves (one shelf for 4 champagne bottles) and a fixed lower shelf.



STAINLESS STEEL
FWC 8800 TC BKX
EAN 8019801030712

WINE CELLARS

WINE CELLAR 88



FWC 8800 TC BKX	
Type	Wine cellar
Finish	Built-In
Bottle no. (Ø 76 mm)	40
Door finish	Stainless Steel
Reversible door	•
PERFORMANCE	
Cooling system	Ventilated
Temperature zones	2
Adjustable upper zone temperature (°C)	from 5 to 20
Adjustable lower zone temperature (°C)	from 5 to 20
Efficiency class	G
Anti-vibration system	•
Anti-condensation system	•
Climate class	SN-T
Sound level dB (A) re1pW	40
CONTROL SYSTEM	
Electronic regulation	•
Digital touch display	•
Double automatic hot / cold circuit	•
Control light indicator	•
ACCESSORIES	
UV-insulating glass pane	•
Lighting	LED
Wooden shelves / type	5 / Beech
Champagne shelf (4 bottles)	•
Sliding shelves	5
POWER RATING	
Max power absorbed at 220 V	160W
Power supply (V - Hz)	220-240 / 50
Plug (Schuko)	•
DIMENSIONS	
Height (mm)	885
Width (mm)	590
Depth (mm)	555
Built-In Cut Out (W x L x D) mm	888 x 565 x 575