

# ACCENTO PROFESSIONAL 36"

36" DUAL FUEL PROFESSIONAL RANGE



CODE ID



**F4PDF366S1**



Heavy Duty Grates



Continuous Grate Surface



Dual Crescendo Burner



Dual True Convection



Self Clean Oven



Multi-level cooking



Cool Touch Door



Digital Controls

## COLOR KIT

	STAINLESS STEEL	
	MATTE BLACK	RAL 9004
	MATTE WHITE	RAL 9016
	GLOSSY RED	RAL 3003

## OPTIONAL ACCESSORIES

ACDKIT36 ...	Colour kit
FMWOK	Wok ring
FMSIM	Simmer plate
F6BG36BCI	Island trim
F6BG36STD	Standard trim
F6BG36HBT	High back trim
FMGRID36	Griddle
FMTRP36	Telescopic rack
F6BG36ISL	1" Island trim

## COOKING SURFACE

3 Heavy Duty, continuous cast iron grates  
One piece, matte finish porcelain burner bowl  
3 Dual-Flame Crescendo Burners  
3 X 18,000 BTU max (NG)  
3 Rapid Burners  
3 X 15,000 BTU max(NG)  
Natural Gas (LP convertible)

## OVEN

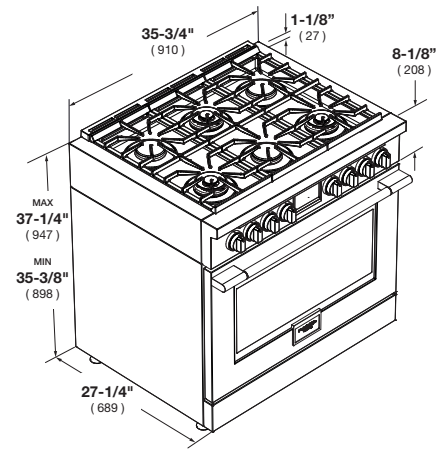
Dual True Convection  
Self-cleaning oven with Multifunction baking  
Black Porcelain enamel interior  
Cool to the touch door  
Extra-large baking cavity and viewing area  
3 Halogen lights for flawless visibility  
Total capacity 147,2 lt  
Total capacity 5,20 cu. ft.  
2 chrome racks  
Enameled Broiler Pan

## OVEN FUNCTIONS

Bake  
Broil  
Roast  
Convection  
True Convection  
Dehydrate  
Electronic cooking programmer  
Self-Clean  
Sabbath Mode

# ACCENTO

36" DUAL FUEL PROFESSIONAL RANGE



CODE ID		F4PDF366S1 - 36" DUAL FUEL PROFESSIONAL RANGE	
Series and Finish		400 Series - Professional Design - Stainless Steel	
<b>CONTROL PANEL</b>			
Control Type		Electronic	
Display: Clock - Temperature - Function		White LED	
<b>COOKTOP</b>			
Cooking Surface		Black Enameled	
Type		GAS (NG or LP)	
<b>GAS COOKTOP FEATURES</b>			
Electric Flame Ignition and Re-ignition		L.P. Conversion Kit	Top Mount Injectors
Flame-out sensing		Dual Crown Aluminum Burner	Pressure Regulator
Cooking Zones		6	
Burners types		Dual Flame/Rapid Burners	
Power Front L+R (Max/Min)	G20 - 5" (NG)	18000 (BTU/h) - 5300W / 950 (BTU/h) - 275W	
Power Rear L+R (Max/Min)	G20 - 5" (NG)	15000 (BTU/h) - 4400W / 2200 (BTU/h) - 645W	
Power Front Middle (Max/Min)	G20 - 5" (NG)	15000 (BTU/h) - 4400W / 2200 (BTU/h) - 645W	
Power Rear Middle (Max/Min)	G20 - 5" (NG)	18000 (BTU/h) - 5300W / 950(BTU/h) - 275W	
Power Front L+R (Max/Min)	G31 - 10" (LP)	15000 (BTU/h) - 4400W / 950 (BTU/h) - 275W	
Power Rear L+R (Max/Min)	G31 - 10" (LP)	12000 (BTU/h) - 3500W / 2200 (BTU/h) - 645W	
Power Front Middle (Max/Min)	G31 - 10" (LP)	12000 (BTU/h) - 3800W / 2200(BTU/h) - 645W	
Power Rear Middle (Max/Min)	G31 - 10" (LP)	15000 (BTU/h) - 4400W / 950(BTU/h) - 275W	
<b>OVEN</b>			
Oven Type		Electric Pyro	
Temperature Regulation		Multifunction 2 Fans ( True Euro Conv. )	
<b>OVEN FUNCTIONS</b>			
Pyrolytic Self-Clean with automatic door latch		Pizza (Lower Convection)	Proof (Warm)
True European Convection		Bake	Broil
Bake (Multi level)		Thaw (Defrost)	Convection Broil
Dehydrate		Oven Lights	Keep warm (Warm Plus)
Convection Roast			
Fast Preheat			
<b>ELECTRIC OVEN FEATURES</b>			
Preset/Last Used Temperature Memory		Preheat bar (25%, 50%, 75%, 100%)	Automatic Fast Preheat
Child Door Lock		Sabbath Mode	Hour Clock Formats AM/PM
°F Degree unit			
<b>OVEN DOOR(S)</b>			
Oven Glass Window		Deep Embossed Window	
Door Cooling System		4 Pane Heat Resistant Glasses	
Door Hinges		Heavy Duty Steady Tilt	
Handle Style		Stainless Steel Tube d30mm with Metal terminals	
<b>OVEN CAVITY</b>			
Total Capacity ( lt )		147,2	
Total Capacity ( cu. ft. )		5,20	
Cavity Enamel Color		Black	
Rack Positions		6	
Oven Lights		3x20W Halogen	
<b>HEATING ELEMENTS (@240V)</b>			
Broil Upper Heating Element		3500 W	
Upper Auxiliary Element Wattage		1032 W	
Concealed Bake Lower Heating Element		3000 W	
Convection Element		2 x 1300 W	
<b>OVEN ACCESSORIES</b>			
Chrome Racks		2	
Enameled Grill set ( basin + anti splash )		1	
Telescopic Chrome Rack		Only as optional ACCESSORY	
Meat Probe		Only as optional ACCESSORY	
<b>DIMENSIONS/WEIGHT</b>			
Overall dim - Width		35 - 3/4"	910 mm
Overall dim - Height (min - max)		35 - 3/8", 37 - 1/4"	898 mm - 947 mm
Overall dim - Depth		29 - 3/4"	756 mm
<b>POWER / RATINGS (208/240 V, 60 HZ)</b>			
kW / Amps rating at 120-240V, 60Hz		3.84 kW - 16.9 A	
kW / Amps rating at 120-208V, 60Hz		3.54 kW - 17.5 A	
Power Cable		Nema 14-50P	
<b>INSTRUCTIONS FOR USE</b>			
Use & Care Manual / Installation Manual		English / French / Spanish	