

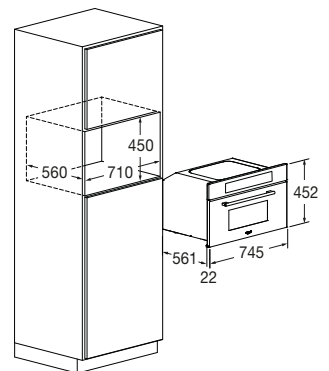


Microwave oven 75x45

FCMO 7510 TEM X



- Stainless steel finish
- 10 functions
- AirFry (oven-frying) function
- Creative Extended controls
- Automatic Cooking
- Combined cooking
- Microwave with 6 power levels
- Microwave & ventilation
- Microwave & grill
- Defrosting
- 3-pane glass cool-touch door



Features

The control panel has different functions, including preset cooking functions and the possibility to modify the recipes. Fulgor Milano combi oven is the solution to heat and cook food quickly, combining the advantages of a microwave oven with a traditional ventilated one. A complete and performing household appliance in a small space. With the microwave & ventilation function, you can cook golden broan dishes on the outside and well-cooked on the inside. This product comes with the following accessories: a glass turntable plate, a stainless steel tray, a flat grill rack and a round grill rack.



STAINLESS STEEL
FCMO 7510 TEM X
EAN 8019801032259

PLANO

MICROWAVE OVEN 75X45



FCMO 7510 TEM X	
Type	Combined Microwave
Finish	Stainless Steel
Interiors: enamelled / other	Stainless steel
FEATURES	
Capacity (litres)	34 L
Forced cooling	•
Functions no.	10
PERFORMANCE	
Max cooking temperature	230 °C
AirFry (oven-frying)	•
Pre-loaded and editable recipes	•
Defrosting (time/weight)	•
Microwave with grill	• / •
Microwave + Convection	•
Microwave power (W)	900 W
Microwave power levels	6
Grill power (W)	1500 W
CONTROLS	
Operating system	Creactive Extended
Auto power off	•
SAFETY	
Door with safety switch	•
Safe door / no. of glass panes	• / 3
Panel lock	•
ACCESSORIES	
Lighting (Halogen, 25 W) no.	1
S.Steel Gastronorm Tray	•
Standard Flat Grill Rack / removable no.	1 / -
Glass turntable plate	•
Round Grill Rack	•
POWER RATING	
Max electrical power (W)	3200 W
Voltage / Frequency (V - Hz)	220 - 240 V; 50 Hz
Power cord / Plug	• / Schuko
DIMENSIONS	
Width (mm)	745
Height (mm)	452
Depth (mm)	561
Built-In Cut Out (W x H x D) mm	710 x 450 x 560