

24" WARMING DRAWER

MATTEO 400 SERIES



MODEL CODE

F4MWD24MB1

-  Keep Warm
-  Defrost
-  Proofing
-  Push Opening
-  Slow Cooking
-  Sliding Telescopic Rails
-  Americans with Disabilities Act †

DESCRIPTION

The Matteo 400 series push-to-open compact warming drawer, featuring our exclusive matte black finish, is the perfect addition to any kitchen, offering seamless integration with your existing appliances. Designed for flexibility, it pairs beautifully with the Matteo "compact wall oven column" when stacking other 24" built-in appliances. Alternatively, it can be installed beneath a matching built-in coffee machine to keep cups warm or positioned below a combi speed oven or combi steam oven. With its 24" x 24" footprint, this warming drawer is functional while optimizing space for a sleek, modern kitchen setup.

FEATURES

Knob Control
 Push latch system to open and close the drawer
 Heavy Duty full extension rails
 True convection or Fan assisted heating system
 Even heat distribution
 All stainless steel structure
 Warming Temperature range: min. 90 °F up to 160 °F
 (min. 30 °C up to 70 °C)

FUNCTIONS

Pre-heat dishes
 Pre-heat coffee cups
 Keep warm ready food
 Defrosting
 Leavening dough
 Slow cooking min. 90 °F up to 160 °F
 (min. 30 °C up to 70 °C)

† To achieve full ADA compliance, please consult the current ADA requirements for product installation instructions.

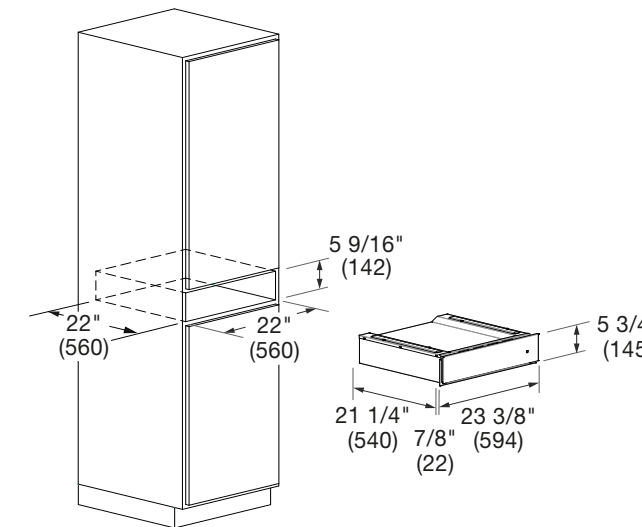
24" WARMING DRAWER

MATTEO 400 SERIES



MODEL CODE

F4MWD24MB1



MODEL CODE	24" WARMING DRAWER F4MWD24MB1	
GENERAL DETAILS		
Finish	Matte black	
Control Type	Electronic Knob	
Compatible Ovens	F7MSP24MB1 - F7MSM24MB1 - F7MSCO24MB1 - F7MSPD24MB1	
Temperature (max), °F (°C)	160	(70)
Thermostat, °F (°C)	90 - 160	(30 - 70)
CAPACITY		
Volume (each), cu. ft. (L)	0.53	(15)
Useable Width, in. (mm)	16-1/2	(420)
Useable Height, in. (mm)	3	(75)
Useable Depth, in. (mm)	18-7/8	(480)
DIMENSIONS / WEIGHT		
Product Width, in. (mm)	23-3/8	(594)
Product Height, in. (mm)	5-3/4	(145)
Product Depth, in. (mm)	21-1/4	(540)
Cutout Width, in. (mm)	22	(560)
Cutout Height (min), in. (mm)	5-9/16	(142)
Cutout Depth (min), in. (mm)	22	(560)
Net Weight, lbs. (kg)	29	(13)
POWER / RATINGS		
Max power absorbed (W)	400 W	
Power V (Hz)	120	(60)
Power Cable	NEMA 5-15P	
Power Cable Length, in. (mm)	53 1/8	(1350)
INSTRUCTIONS FOR USE		
Use & Care Manual / Installation Manual	English / French / Spanish	
WARRANTY		
Limited Warranty	Parts and Labor (2-year)	