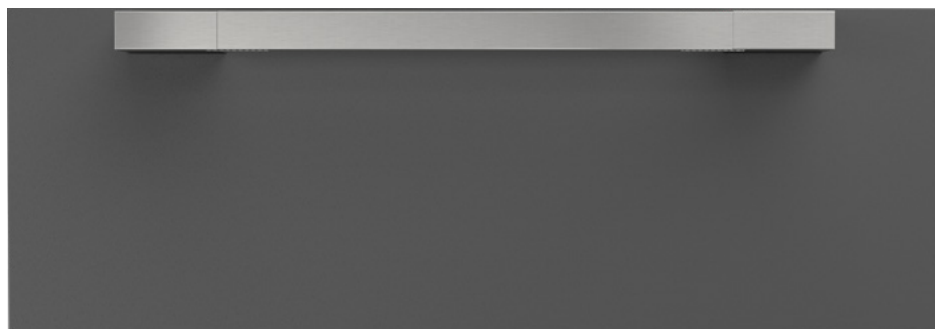




## 30" OVERLAY WARMING DRAWER

600 SERIES

MODEL CODE

**F6IWD3001**



-  Keep Warm
-  Defrost
-  Proofing
-  Slow Cooking
-  Sliding Telescopic Rails
-  Soft Closing
-  Americans with Disabilities Act †

### DESCRIPTION

The 600 series 30" pull-to-open panel warming drawer (requires handle), equipped with a soft-closing mechanism, offers unmatched versatility for modern kitchens. Featuring a unique true convection design, this practical appliance goes beyond just warming—it also excels at slow cooking, proofing, dehydrating, and defrosting, all within a compact, fully enclosed space. The convection fan ensures even heat distribution, keeping your side dishes, pies, and bread at the perfect temperature from top to bottom. Whether you're prepping or serving, this warming drawer is the ultimate kitchen companion.

### FEATURES

- Knob Control
- Overlay panel installation
- Pull-to open and Push-to-close
- Soft Closing
- Heavy Duty full extension rails
- True convection heating system
- Even heat distribution
- All stainless steel structure
- Warming Temperature range: min. 90 °F up to 195 °F;  
min. 30 °C up to 90 °C
- 2 Internal lights
- Handle and overlay panel not included

### FUNCTIONS

- Pre-heat dishes
- Pre-heat coffee cups
- Keep warm ready food
- Defrosting
- Leavening dough
- Slow cooking min. 90 °F up to 195 °F  
min. 30 °C up to 90 °C

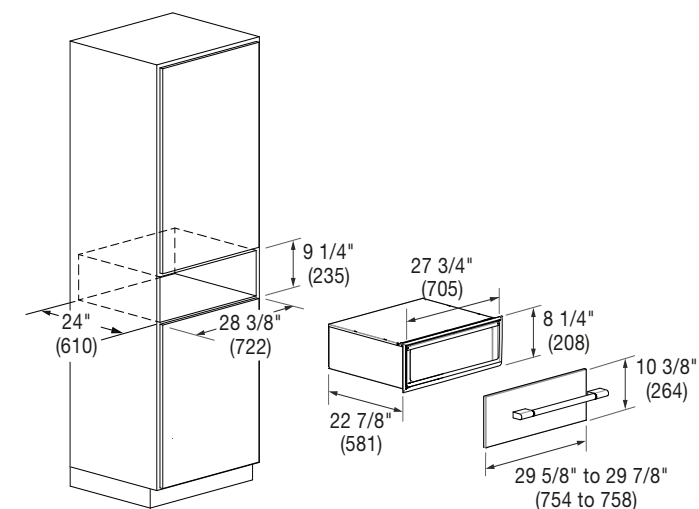
† To achieve full ADA compliance, please consult the current ADA requirements for product installation instructions.

## 30" OVERLAY WARMING DRAWER

600 SERIES

MODEL CODE

**F6IWD3001**



MODEL CODE	30" WARMING DRAWER F6IWD3001	
<b>GENERAL DETAILS</b>		
Finish	Overlay	
Close/Open Mechanism	Pull-to-open and Push-to-close	
Drawer Material	Stainless Steel	
Compatible Ovens	F7MSP30S1-F7MDP30S1 - F7MSCO30S1- F7MSPD30S1 - F4MSP30S1	
Temperature (max), °F (°C)	195	(90)
Thermostat, °F (°C)	90 - 195	(30 - 90)
Interior Lights	2 x 20 W Halogen	
<b>CAPACITY</b>		
Volume (each), cu. ft. (L)	1.9	(53.3)
Useable Width, in. (mm)	24-3/8	(620)
Useable Height, in. (mm)	7-7/8	(200)
Useable Depth, in. (mm)	16-7/8	(430)
<b>DIMENSIONS / WEIGHT</b>		
Product Width, in. (mm)	29-5/8	(754)
Product Height, in. (mm)	10-3/8	(264)
Product Depth, in. (mm)	22-7/8	(581)
Cutout Width, in. (mm)	28-3/8	(722)
Cutout Height (min), in. (mm)	9 1/4	(235)
Cutout Depth (min), in. (mm)	24	(610)
Net Weight, lbs. (kg)	67.2	(30.5)
<b>POWER / RATINGS</b>		
Max power absorbed (W)	1100 W	
Power V (Hz)	120	(60)
Power Cable	NEMA 5-15P	
Power Cable Length, in. (mm)	86 5/8	(2200)
Use & Care Manual / Installation Manual	English / French / Spanish	
<b>WARRANTY</b>		
Limited Warranty	Parts and Labor (2-year)	