

30" TOUCH CONTROL SELF CLEAN OVEN

MATTEO 700 SERIES



MODEL CODE

F7MSP30MB1



CREACTIVE COOKING SYSTEM



PIZZA COOKING MODE 590°F



Dual Convection



Self Clean Oven



Multi-level Cooking



1 Telescopic Rack



Cool Touch Door



TFT Display



Meat Probe



Fast Pre-Heat



Air Fry



Soft Closing

DESCRIPTION

The Matteo 700 Series 30" oven combines style and functionality, transforming your kitchen into a culinary hub. Finished in our exclusive matte black finish, its contemporary design complements any kitchen while delivering reliable performance. With preset cooking functions, self-cleaning capabilities, and a dual convection system, meal prep is efficient and easy. Safety features include child locks and cool-touch doors, while the high-performance multi-pass broiler ensures superior heat distribution. With oversized capacity, this oven handles everything from family meals to dinner parties, blending luxury, convenience, and innovation.

FEATURES

- Full Touch Controls
- Display TFT 3.5"
- 4 Heat-resistant Glass Panel
- Cool Touch Door
- Soft Closing Door
- Interior Halogen Light
- Preset Default Temperature
- Setting Weight kg/lb
- Display Brightness Setting (ON/OFF Condition)
- Beeper Volume Setting
- Display Control Lock
- Sabbath Mode
- 12/24-Hour Clock Formats
- Automatic Fast Preheat
- Temperature Display °C / °F
- Meat Probe
- Event Log (for Service)

FUNCTIONS

- Defrost
- Dehydrate
- Warm
- Bake
- Roast
- True Convection
- Pizza
- Convection Roast
- Convection Grill
- Convection Bake
- Convection Broil
- Broil (L1-L5)
- Pizza Pizzeria
- Sabbath
- Air Fry
- Self Clean

INCLUDED ACCESSORIES

2x 2006270	Chromed racks
1x FMTR630	Telescopic racks
1x SF0866396	Enameled broiler pan
42105652	Enameled Air Fry pan
SF3942P96	Enameled Anti-splash
12541020	Meat Probe

OPTIONAL ACCESSORIES

FMTR630	30" Telescopic Rack
---------	---------------------

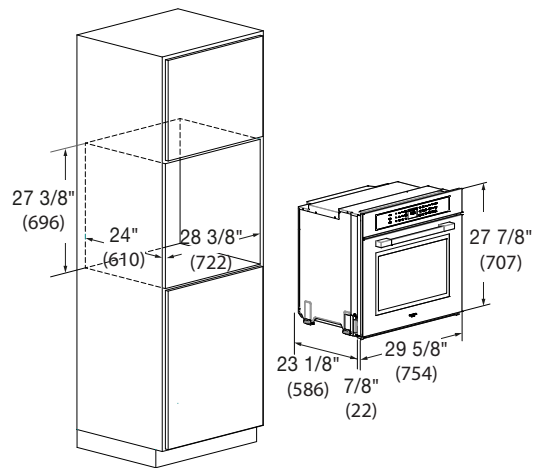
30" TOUCH CONTROL SELF CLEAN OVEN



MODEL CODE

MATTEO 700 SERIES

F7MSP30MB1



MODEL CODE	30" TOUCH CONTROL SELF CLEAN OVEN F7MSP30MB1	
GENERAL DETAILS		
Finish	Matte Black	
Control Type	Creative Electronic Touch Control	
Display	3.5" TFT	
Language	English (USA) / English (UK) / French / Spanish / Italian / German	
Oven Type	Dual True Convection	
Temperature (min - max), °F (°C)	170 - 550 (75 - 290)	
Soft Closing	Yes	
Rack Positions	6	
Interior Lights	3 x 20 W Halogen	
Pyrolytic Self Clean	Yes	
CAPACITY		
Volume (each), cu. ft. (L)	4.34	(123)
Useable Width, in. (mm)	24-13/16	(630)
Useable Height, in. (mm)	16-15/16	(430)
Useable Depth, in. (mm)	17-7/8	(454)
DIMENSIONS / WEIGHT		
Product Width, in. (mm)	29-5/8	(754)
Product Height, in. (mm)	27-7/8	(707)
Product Depth, in. (mm)	23-1/8	(586)
Cutout Width, in. (mm)	28-3/8	(722)
Cutout Height (min), in. (mm)	27-3/8	(696)
Cutout Depth (min), in. (mm)	24	(610)
Net Weight, lbs. (kg)	160	(73)
POWER / RATINGS (240 V, 60 Hz)		
Broil Upper Heating Element	3500 W	
Upper Auxiliary Element	1032 W	
Concealed Lower Bake Element	3000 W	
Convection Element	2 x 1300 W	
TECHNICAL DETAILS		
kW / Amps rating at 120-240 V, 60 Hz	3.70 kW - 15.4 A	
kW / Amps rating at 120-208 V, 60 Hz	3.50 kW - 16.8 A	
Power Cable	4-Wire Conduit – Hardwire Connection	
Power Cable Length, in. (mm)	56	(1422)
Electrical Circuit	240 / 208 V - 60 Hz - 40 A	
INSTRUCTIONS FOR USE		
Use & Care Manual / Installation Manual	English / French / Spanish	
WARRANTY		
Limited Warranty	Parts and Labor (2-year)	