

30" TOUCH CONTROL SELF CLEAN OVEN



MODEL CODE

MATTEO 700 SERIES

F7MSP30S1



CREACTIVE COOKING SYSTEM



PIZZA COOKING MODE 590°F



Dual Convection



Self Clean Oven



Multi-level Cooking



1 Telescopic Rack



Cool Touch Door



TFT Display



Meat Probe



Fast Pre-Heat



Air Fry



Soft Closing

DESCRIPTION

The Matteo 700 Series 30" oven combines style and functionality, transforming your kitchen into a culinary hub. Finished in sleek, fingerprint-resistant stainless steel, its contemporary design complements any kitchen while delivering reliable performance. With preset cooking functions, self-cleaning capabilities, and a dual convection system, meal prep is efficient and easy. Safety features include child locks and cool-touch doors, while the high-performance multi-pass broiler ensures superior heat distribution. With oversized capacity, this oven handles everything from family meals to dinner parties, blending luxury, convenience, and innovation.

FEATURES

- Full Touch Controls
- Display TFT 3,5"
- 4 Heat-resistant Glass Panel
- Cool Touch Door
- Soft Closing Door
- Interior Halogen Light
- Preset Default Temperature
- Setting Weight kg/lb
- Display Brightness Setting (ON/OFF Condition)
- Beeper Volume Setting
- Display Control Lock
- Sabbath Mode
- 12/24-Hour Clock Formats
- Automatic Fast Preheat
- Temperature Display °C / °F
- Meat Probe
- Event Log (for Service)

FUNCTIONS

- Defrost
- Dehydrate
- Warm
- Bake
- Roast
- True Convection
- Pizza
- Convection Roast
- Convection Grill
- Convection Bake
- Convection Broil
- Broil (L1-L5)
- Pizza Pizzeria
- Sabbath
- Air Fry
- Self Clean

INCLUDED ACCESSORIES

| | |
|--------------|----------------------|
| 2x 2006270 | Chromed racks |
| 1x FMTR630 | Telescopic racks |
| 1x SF0866396 | Enameled broiler pan |
| 42105652 | Enameled Air Fry pan |
| SF3942P96 | Enameled Anti-splash |
| 12541020 | Meat Probe |

OPTIONAL ACCESSORIES

| | |
|---------|---------------------|
| FMTR630 | 30" Telescopic Rack |
|---------|---------------------|

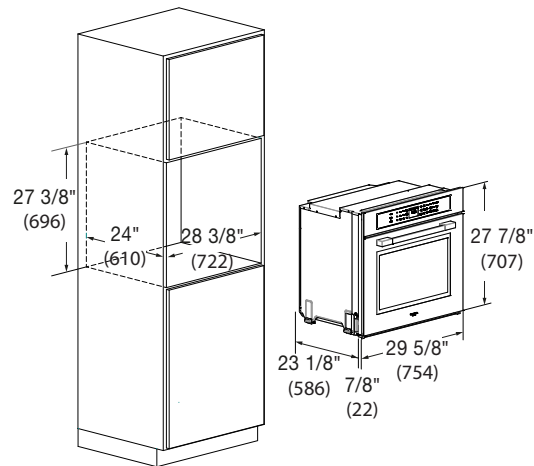
30" TOUCH CONTROL SELF CLEAN OVEN



MODEL CODE

MATTEO 700 SERIES

F7MSP30S1



| MODEL CODE | 30" TOUCH CONTROL SELF CLEAN OVEN F7MSP30S1 | |
|---|--|--------|
| GENERAL DETAILS | | |
| Finish | Stainless Steel | |
| Control Type | Creactive Electronic Touch Control | |
| Display | 3.5" TFT | |
| Language | English (USA) / English (UK) / French / Spanish / Italian / German | |
| Oven Type | Dual True Convection | |
| Temperature (min - max), °F (°C) | 170 - 550 (75 - 290) | |
| Soft Closing | Yes | |
| Rack Positions | 6 | |
| Interior Lights | 3 x 20 W Halogen | |
| Pyrolytic Self Clean | Yes | |
| CAPACITY | | |
| Volume (each), cu. ft. (L) | 4.34 | (123) |
| Useable Width, in. (mm) | 24-13/16 | (630) |
| Useable Height, in. (mm) | 16-15/16 | (430) |
| Useable Depth, in. (mm) | 17-7/8 | (454) |
| DIMENSIONS / WEIGHT | | |
| Product Width, in. (mm) | 29-5/8 | (754) |
| Product Height, in. (mm) | 27-7/8 | (707) |
| Product Depth, in. (mm) | 23-1/8 | (586) |
| Cutout Width, in. (mm) | 28-3/8 | (722) |
| Cutout Height (min), in. (mm) | 27-3/8 | (696) |
| Cutout Depth (min), in. (mm) | 24 | (610) |
| Net Weight, lbs. (kg) | 160 | (73) |
| POWER / RATINGS (240 V, 60 Hz) | | |
| Broil Upper Heating Element | 3500 W | |
| Upper Auxiliary Element | 1032 W | |
| Concealed Lower Bake Element | 3000 W | |
| Convection Element | 2 x 1300 W | |
| TECHNICAL DETAILS | | |
| kW / Amps rating at 120-240 V, 60 Hz | 3.70 kW - 15.4 A | |
| kW / Amps rating at 120-208 V, 60 Hz | 3.50 kW - 16.8 A | |
| Power Cable | 4-Wire Conduit - Hardwire Connection | |
| Power Cable Length, in. (mm) | 56 | (1422) |
| Electrical Circuit | 240 / 208 V - 60 Hz - 40 A | |
| INSTRUCTIONS FOR USE | | |
| Use & Care Manual / Installation Manual | English / French / Spanish | |
| WARRANTY | | |
| Limited Warranty | Parts and Labor (2-year) | |