

# 24" COMBI SPEED OVEN



MODEL CODE

MATTEO 700 SERIES

**F7MSPD24MB1**



**CREACTIVE COOKING SYSTEM**



Microwave Cooking



Defrost



True Convection



Automatic Cooking



Cool Touch Door



Multi-level Cooking



TFT Display



Air Fry



Americans with Disabilities Act †

## DESCRIPTION

The Matteo 700 series 24" combi speed oven, featuring our exclusive matte black finish, combines sleek, modern style with the functionality of a 3-in-1 specialty oven. This versatile appliance works as a microwave, conventional oven, or a combination of both, offering faster cooking times without sacrificing flavor. Ideal for busy households, its combination speed modes deliver the rich taste of traditional oven-cooked meals with microwave efficiency. With preset functions for precision cooking, this oven brings luxury, speed, and flexibility to your kitchen, making gourmet meals effortless.

## FEATURES

- 3-in-1 Oven (Microwave, Convection, Combi)
- Microwave mode (6 levels)
- 10 functions
- Automatic Cooking
- Fan Assisted mode
- Defrost by Weight and Time
- Pre-selected and Customizable Recipes
- Stainless Interior with Broiler
- TFT Display with Touch Controls
- Quick Access Menu
- Dual Keypad

## FUNCTIONS

- Microwave
- Microwave Broil
- Microwave Convection
- Defrost by Time
- Defrost by Weight
- True Convection
- Convection Broil
- Fan & Broil
- Air Fry
- Broil
- Popcorn
- Poultry
- Meat
- Fish
- Vegetables
- Desserts
- Bread/Pizza

## INCLUDED ACCESSORIES

12200460	Chromed rack
42702000	Chromed round stand
12105500	Stainless Steel tray

† To achieve full ADA compliance, please consult the current ADA requirements for product installation instructions.

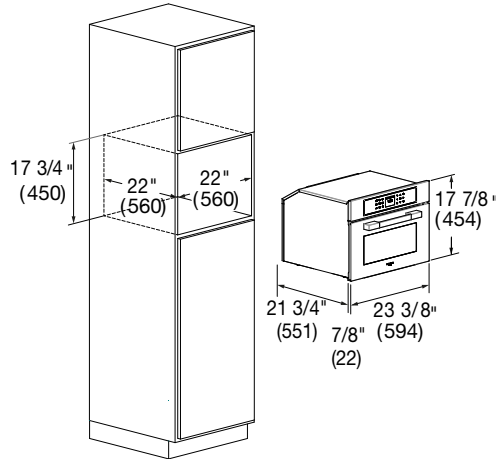
# 24" COMBI SPEED OVEN



MODEL CODE

MATTEO 700 SERIES

**F7MSPD24MB1**



MODEL CODE	24" COMBI SPEED OVEN F7MSPD24MB1	
<b>GENERAL DETAILS</b>		
Finish	Matte Black	
Control Type	Dual Touch Electronic Keypads	
Display	3.5" TFT	
Language	English (USA) / English (UK) / French / Spanish / Italian / German	
<b>FEATURES</b>		
Oven Type	Microwave Speed Oven	
Oven Cavity	Stainless Steel	
Door Glass	Cool Touch	
Rack Positions	3	
Interior Light	1 x 20 W Halogen	
<b>CAPACITY</b>		
Volume, cu. ft. (L)	1.46	(41.3)
Useable Width, in. (mm)	16-9/16	(420)
Useable Height, in. (mm)	10	(254)
Useable Depth, in. (mm)	15-1/4	(387)
<b>DIMENSIONS / WEIGHT</b>		
Product Width, in. (mm)	23-3/8	(594)
Product Height, in. (mm)	17-7/8	(454)
Product Depth, in. (mm)	21-3/4	(551)
Cutout Width, in. (mm)	22	(560)
Cutout Height (min), in. (mm)	17-3/4	(450)
Cutout Depth (min), in. (mm)	22	(560)
Recess (WxHxD), in. (mm)	22 x 17-3/4 x 22	(560 x 450 x 560)
Net Weight, lbs. (kg)	88	(40)
<b>POWER / RATINGS</b>		
Broil Upper Heating Element	1500 W	(240 V)
Convection Element	2300 W	(240 V)
Microwave Input	1850 W	
Microwave Output	900 W	
Microwave Frequency	2450 mHz	
Supply voltage, V/Hz	208/240 V / 60 Hz	
kW / Amps rating at 120-240 V, 60 Hz	3.4 kW - 14 A	
kW / Amps rating at 120-208 V, 60 Hz	2.7 kW - 13 A	
Power Cable	Conduit	
<b>INSTRUCTIONS FOR USE</b>		
Use & Care Manual / Installation Manual	English / French / Spanish	