



# 30" TOUCH CONTROL DOUBLE OVEN

MATTEO 700 SERIES

MODEL CODE

**F7MDP30S1**



-  **CREACTIVE COOKING SYSTEM**
-  **PIZZA COOKING MODE 590°F**
-  Dual Convection
-  Self Clean Oven
-  Multi-level Cooking
-  1 Telescopic Rack per oven
-  Cool Touch Door
-  TFT Display
-  Meat Probe
-  Fast Pre-Heat
-  Air Fry
-  Soft Closing

## DESCRIPTION

The Matteo 700 Series 30" double oven combines style and functionality, transforming your kitchen into a culinary hub. Finished in sleek, fingerprint-resistant stainless steel, its contemporary design complements any kitchen while delivering reliable performance. With preset cooking functions, self-cleaning capabilities, and a dual convection system, meal prep is efficient and easy. Safety features include child locks and cool-touch doors, while the high-performance multi-pass broiler ensures superior heat distribution. With oversized capacity, this oven handles everything from family meals to dinner parties, blending luxury, convenience, and innovation.

## FEATURES

- Full Touch Controls
- Display TFT 3.5"
- 4 Heat-resistant Glass Panel
- Cool Touch Door
- Soft Closing Door
- Interior Halogen Light
- Preset Default Temperature
- Setting Weight kg/lb
- Display Brightness Setting (ON/OFF Condition)
- Beeper Volume Setting
- Display Control Lock
- Sabbath Mode
- 12/24-Hour Clock Formats
- Automatic Fast Preheat
- Temperature Display °C / °F
- Meat Probe
- Event Log (for Service)

## FUNCTIONS

- Defrost
- Dehydrate
- Warm
- Bake
- Roast
- True Convection
- Pizza
- Convection Roast
- Convection Grill
- Convection Bake
- Convection Broil
- Broil (L1-L5)
- Pizza Pizzeria
- Sabbath
- Air Fry
- Self Clean

## INCLUDED ACCESSORIES

- |               |                         |
|---------------|-------------------------|
| 4x 2006270    | Chromed racks           |
| 2x FMTR630    | Telescopic racks        |
| 2x SF0866396  | Enameled broiler pan    |
| 42105652      | Enameled Air Fry pan    |
| 2 x SF3942P96 | Enameled Anti-splash    |
| 12541020      | Meat Probe (upper oven) |

## OPTIONAL ACCESSORIES

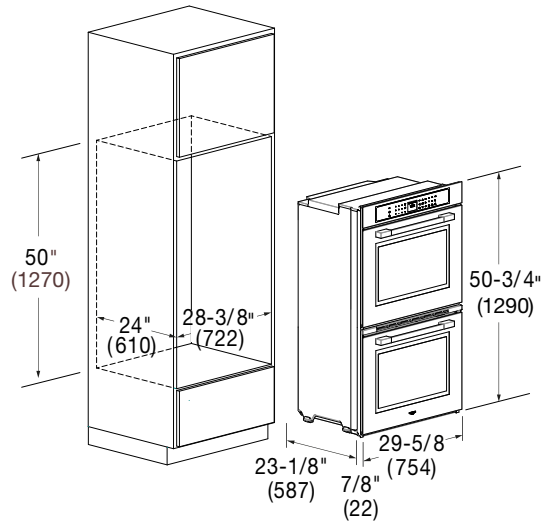
- |         |                     |
|---------|---------------------|
| FMTR630 | 30" Telescopic Rack |
|---------|---------------------|

# 30" TOUCH CONTROL DOUBLE OVEN

MODEL CODE

MATTEO 700 SERIES

**F7MDP30S1**



MODEL CODE	30" TOUCH CONTROL DOUBLE OVEN F7MDP30S1	
<b>GENERAL DETAILS</b>		
Finish	Stainless Steel	
Control Type	Creative Electronic Touch Control	
Display	3.5" TFT	
Language	English (USA) / English (UK) / French / Spanish / Italian / German	
Oven Type	Dual True Convection	
Temperature (min - max), °F (°C)	170 - 550	(75 - 290)
Soft Closing	Yes	
Rack Positions	6	
Interior Lights	3 x 20 W Halogen	
Pyrolytic Self Clean	Yes	
<b>CAPACITY</b>		
Volume (each), cu. ft. (L)	4.34	(123)
Useable Width, in. (mm)	24-13/16	(630)
Useable Height, in. (mm)	16-15/16	(430)
Useable Depth, in. (mm)	17-7/8	(454)
<b>DIMENSIONS / WEIGHT</b>		
Product Width, in. (mm)	29-5/8	(754)
Product Height, in. (mm)	50-3/4	(1290)
Product Depth, in. (mm)	23-1/8	(587)
Cutout Width, in. (mm)	28-3/8	(722)
Cutout Height (min), in. (mm)	50	(1270)
Cutout Depth (min), in. (mm)	24	(610)
Net Weight, lbs. (kg)	298	(135)
<b>POWER / RATINGS (240 V, 60 Hz)</b>		
Broil Upper Heating Element	3500 W	
Upper Auxiliary Element	1032 W	
Concealed Lower Bake Element	3000 W	
Convection Element	2 x 1300 W	
<b>TECHNICAL DETAILS</b>		
kW / Amps rating at 120-240 V, 60 Hz	7.50 kW - 31.2 A	
kW / Amps rating at 120-208 V, 60 Hz	6.30 kW - 30.3 A	
Power Cable	4-Wire Conduit – Hardwire Connection	
Power Cable Length, in. (mm)	56	(1422)
Electrical Circuit	240 / 208 V - 60 Hz - 40 A	
<b>INSTRUCTIONS FOR USE</b>		
Use & Care Manual / Installation Manual	English / French / Spanish	
<b>WARRANTY</b>		
Limited Warranty	Parts and Labor (2-year)	