

24" COMBI SPEED OVEN

MATTEO 700 SERIES



MODEL CODE

F7MSPD24S1



CREACTIVE COOKING SYSTEM



Microwave Cooking



Defrost



True Convection



Automatic Cooking



Cool Touch Door



Multi-level Cooking



TFT Display



Air Fry



Americans with Disabilities Act †

DESCRIPTION

The Matteo 700 series 24" combi speed oven, finished in fingerprint-resistant stainless steel, combines sleek, modern style with the functionality of a 3-in-1 specialty oven. This versatile appliance works as a microwave, conventional oven, or a combination of both, offering faster cooking times without sacrificing flavor. Ideal for busy households, its combination speed modes deliver the rich taste of traditional oven-cooked meals with microwave efficiency. With preset functions for precision cooking, this oven brings luxury, speed, and flexibility to your kitchen, making gourmet meals effortless.

FEATURES

3-in-1 Oven (Microwave, Convection, Combi)
Microwave mode (6 levels)
10 functions
Automatic Cooking
Fan Assisted mode
Defrost by Weight and Time
Pre-selected and Customizable Recipes
Stainless Interior with Broiler
TFT Display with Touch Controls
Quick Access Menu
Dual Keypad

FUNCTIONS

Microwave
Microwave Broil
Microwave Convection
Defrost by Time
Defrost by Weight
True Convection
Convection Broil
Fan & Broil
Air Fry

Broil
Popcorn
Poultry
Meat
Fish
Vegetables
Desserts
Bread/Pizza

INCLUDED ACCESSORIES

12200460 Chromed rack
42702000 Chromed round stand
12105500 Stainless Steel tray

† To achieve full ADA compliance, please consult the current ADA requirements for product installation instructions.

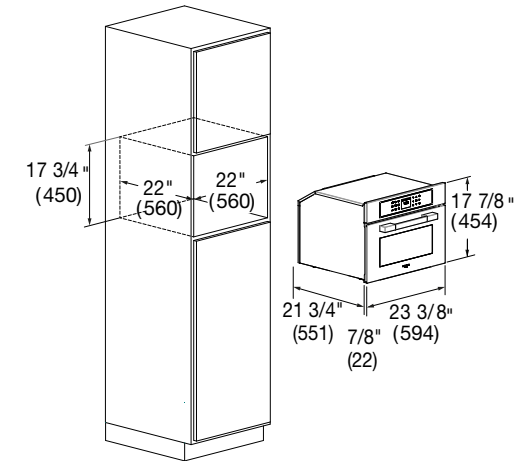
24" COMBI SPEED OVEN

MATTEO 700 SERIES



MODEL CODE

F7MSPD24S1



MODEL CODE	24" COMBI SPEED OVEN F7MSPD24S1	
GENERAL DETAILS		
Finish	Stainless Steel	
Control Type	Dual Touch Electronic Keypads	
Display	3.5" TFT	
Language	English (USA) / English (UK) / French / Spanish / Italian / German	
FEATURES		
Oven Type	Microwave Speed Oven	
Oven Cavity	Stainless Steel	
Door Glass	Cool Touch	
Rack Positions	3	
Interior Light	1 x 20 W Halogen	
CAPACITY		
Volume, cu. ft. (L)	1.46	(41.3)
Useable Width, in. (mm)	16-9/16	(420)
Useable Height, in. (mm)	10	(254)
Useable Depth, in. (mm)	15-1/4	(387)
DIMENSIONS / WEIGHT		
Product Width, in. (mm)	23-3/8	(594)
Product Height, in. (mm)	17-7/8	(454)
Product Depth, in. (mm)	21-3/4	(551)
Cutout Width, in. (mm)	22	(560)
Cutout Height (min), in. (mm)	17-3/4	(450)
Cutout Depth (min), in. (mm)	22	(560)
Recess (WxHxD), in. (mm)	22 x 17-3/4 x 22	(560 x 450 x 560)
Net Weight, lbs. (kg)	88	(40)
POWER / RATINGS		
Broil Upper Heating Element	1500 W	(240 V)
Convection Element	2300 W	(240 V)
Microwave Input	1850 W	
Microwave Output	900 W	
Microwave Frequency	2450 mHz	
Supply voltage, V/Hz	208/240 V / 60 Hz	
kW / Amps rating at 120-240 V, 60 Hz	3.4 kW - 14 A	
kW / Amps rating at 120-208 V, 60 Hz	2.7 kW - 13 A	
Power Cable	Conduit	
INSTRUCTIONS FOR USE		
Use & Care Manual / Installation Manual	English / French / Spanish	