

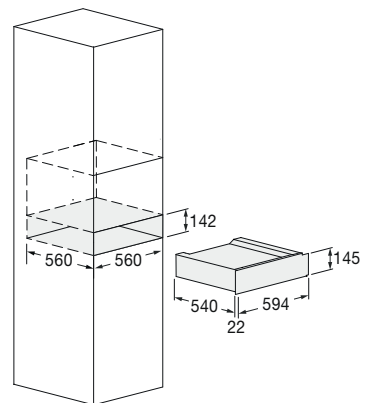


Storage drawer 15

FUD 150 MBK



- Matte Black Metal finish
- 15 cm high front panel
- Push-to-open system
- Telescopic rails
- Anti-slip rubber mat



Features

This product comes with the following accessories: telescopic rails and an anti-slip rubber mat. Moreover, it can be combined with Fulgor Milano's products from the 60 cm range



MATTE BLACK METAL
FUD 150 MBK
EAN 8019801030668

DRAWERS

STORAGE DRAWER 15



FUD 150 MBK		
Finish	Matte Black Metal	
Type	Type: storage drawer	Anti-slip rubber bottom
Push-to-open door	•	
DIMENSIONS		
	Product (W x H x D) 594 x 145 x 562 mm	Built-In Cut Out (W x H x D) 560 x 142 x 560 mm