

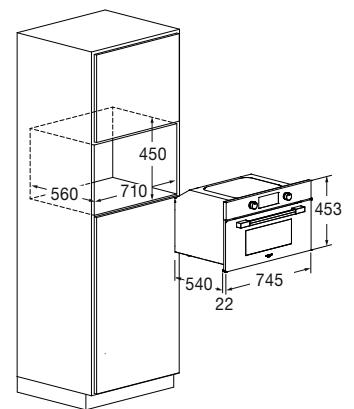


Microwave oven 75x45

FUGMO 7505 MT IX



- Stainless steel finish
- Metal knobs
- 3 functions
- Digit Timer (on-off) | Knobs
- Microwave with 4 power levels
- Microwave & grill
- Grill
- Defrosting
- 3-pane glass cool-touch door



Features

This product stands out for its classic user-friendly knob control completed with a functional digital display. The various timing functions are easy to set and clearly intelligible. The oven features a 34 l stainless steel cooking chamber. Moreover, it's fitted with an efficient safety system, including a door with a safety lock, a door contact switch, and tangential cooling ventilation. The appliance comes with the following accessories: a glass turntable plate, a flat grill rack and a round grill rack.



STAINLESS STEEL
FUGMO 7505 MT IX
EAN 8019801032112

URBANTECH

MICROWAVE OVEN 75X45



| FUGMO 7505 MT IX | |
|--|-----------------------|
| Type | Microwave with grill |
| Estetica | Stainless steel |
| FEATURES | |
| Interiors: enamelled / other | Stainless steel |
| Capacity (litres) | 34 L |
| Forced cooling | • |
| Functions no. | 3 |
| PERFORMANCE | |
| Max cooking temperature | 230 °C |
| Grill power (W) | 1500 W |
| Microwave power (W) | 900 W |
| Microwave power levels | 6 |
| Cooking with Grill | • |
| CONTROLS | |
| Control type | Digital timer + Knobs |
| Auto power off | • |
| SAFETY | |
| Safe door / no. of glass panes | • / 3 |
| ACCESSORIES | |
| Flat grill racks no. | 1 |
| Round grill rack / Glass turntable plate | • / • |
| POWER RATING | |
| Max electrical power (W) | 3200 W |
| Voltage / Frequency (V - Hz) | 220 - 240 V; 50 Hz |
| Power cord | • |
| Plug | Schuko |
| DIMENSIONS | |
| Width (mm) | 745 |
| Height (mm) | 452 |
| Depth (mm) | 561 |
| Built-In Cut Out (W x H x D) mm | 710 x 450 x 560 |