

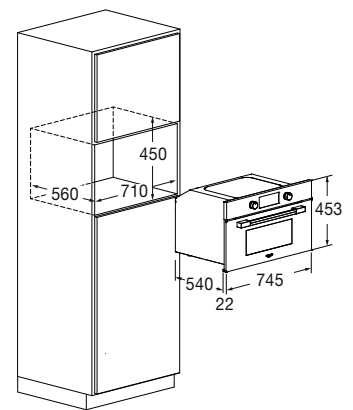


Steam oven 75x45

FUSO 7505 MT GBK



- Black Glass finish
- Metal knobs
- 2 functions
- Digit Timer (on-off) | Knobs
- Steam cooking
- Grill
- Automatic descaling system
- Safe door
- Energy Class A++



Features

Steam ovens cook food gently, healthily, and efficiently while preserving its organoleptic properties. The oven features a 34 l stainless steel cooking chamber. Moreover, it's fitted with an efficient safety system, including a door contact switch and tangential cooling ventilation. The appliance comes with the following accessories: a perforated tray with lid, a stainless steel support for perforated tray, a stainless steel tray, a flat grill rack and a water tank.



BLACK GLASS
FUSO 7505 MT GBK
EAN 8019801032198



FUSO 7505 MT GBK	
Type	Steam with grill
Estetica	Black Glass
FEATURES	
Interiors: enamelled / other	Stainless steel
Capacity (litres)	34 L
Forced cooling	•
Functions no.	2
PERFORMANCE	
Max cooking temperature	230 °C
Steam 100 °C / 130 °C	• / -
Grill power (W)	900 W
Cooking with Grill	•
CONTROLS	
Control type	Digital timer + Knobs
Auto power off	•
SAFETY	
Safe door / no. of glass panes	• / 3
ACCESSORIES	
Stainless steel steam set	Microperforated tray with lid, liquid-collection tray and support
Flat grill racks no.	1
Water tank no.	1
POWER RATING	
Max electrical power (W)	1200 W
Voltage / Frequency (V - Hz)	220 - 240 V; 50 Hz
Power cord / Plug	• / Schuko
DIMENSIONS	
Width (mm)	745
Height (mm)	452
Depth (mm)	561
Built-In Cut Out (W x H x D) mm	710 x 450 x 560