

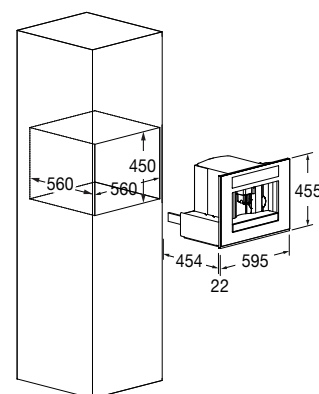


Built-In Coffee machine 45

FUTCM 4500 TF IX



- Stainless steel finish
- 30 functions
- TFT touch control display
- Automatic programs
- Coffee bean container (200 g)
- Integrated and adjustable grinding
- Milk container (1.8 l)
- Water container (1.8 l)
- Removable hot water dispenser
- Liquid collection container
- Five types of cup



Features

This product's design features a user-friendly touch control and digital display. Possibility to choose the type of coffee (e.g. long, short, light or strong) and make teas and herbal teas thanks to the automatic cappuccino maker and the hot water dispenser. The water hardness can also be adjusted. This system can be put on standby to save electricity. Moreover, it is fitted with a safety system, i.e. a warning light to indicate the absence of water or coffee and when it is time to run the cleaning cycle and replace the anti-scale filter. A telescopic opening gives access to the service compartment.



STAINLESS STEEL
FUTCM 4500 TF IX
EAN 8019801034765

URBANTECH TOUCH

COFFEE MACHINE 45



FUTCM 4500 TF IX	
Type	Coffee machine
Finish	Stainless steel
PERFORMANCE	
Total functions no. / Operating system	30 / Full Touch TFT
Automatic functions	Coffee, steam, hot water
Energy efficiency	A
Annual energy consumption (kWh)	45
Water / coffee container capacity	1,8 L / 200 g
Coffee grinder with 13 regulation levels	•
Coffee cups no	2
	Height-adjustable (80-100 mm) coffee dispenser
	Retractable dispenser for steam and hot water
	Compartment LED lighting
	Automatic descaling program
Integrated cleaning program	•
Milk container (0.75 l)	•
Drip tray	•
Anti-scale filter indicator / water reserve indicator	• / •
Residual emptying indicator	•
Telescopic rails	•
POWER RATING	
Max electrical power (W)	1350 W
Voltage / Frequency (V - Hz)	220 - 240 V ; 50 - 60 Hz
Power cord / Plug	• / Schuko
Pump pressure (bar)	15
DIMENSIONS	
Product (W x H x D) mm	595 x 455 x 476
Built-In Cut Out (W x H x D) mm	560 x 450 x 560