



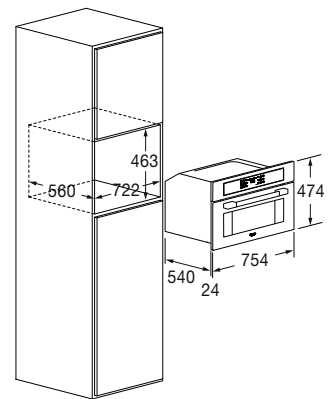
30" Combi Microwave Oven



FUTMO 310 TEM MBK



- Matte black metal finish
- 10 Combined functions
- AirFry (oven-frying) function
- Creative Extended controls
- Automatic Cooking
- Microwave with 6 power levels
- Cooking with assisted ventilation
- Combined cooking (microwave & grill)
- Defrosting
- 3-pane glass cool-touch door



Features

The control panel has different functions, including preset cooking functions and the possibility to modify the recipes. The defrosting time and power level are set automatically. You just have to select the program and the food weight. Frozen food must be placed on a ceramic plate at the centre of the turntable. The appliance comes with the following accessories: a round and a flat rack, a stainless steel tray (h = 20) and a glass plate.



MATTE BLACK METAL
FUTMO 310 TEM MBK
EAN 8019801034659

URBANTECH TOUCH

FORNI 30"



FCTMO 310 TEM MBK	
Type	Combined Microwave
Finish / Temperature regulation	Matte Black Metal / Electronic
FUNCTIONS	
Microwave / Steam cooking	• / -
AirFry (oven-frying)	•
Steam heating	-
Microwave / steam convection oven	• / -
Steam cleaning / circuit	-
Puff function	-
Convection bake	•
Convection roast	•
Grilling	•
Eco Convection bake	-
Recipes	•
Oven lights	•
CONTROL PANEL	
Operating system	Creactive Extended
Display	TFT 3.5"
Recipe menu	•
Controls / Languages	Double Full Touch Display / 15
FEATURES	
Manual quick pre-heating	-
Meat probe	-
12 / 24 clock format °C / °F	•
Cool-touch door	•
OVEN CAPACITY	
Gross capacity (litres)	34 L
Interiors:	Stainless steel
Rack position	3
Lighting (Halogen, 25 W) no.	1
Upper heating element for grilling	1500 W
Steam generator / microwave	900 W
Lower heating element power	-
Convection element power	1500 W
ACCESSORIES	
Removable Water Tank	-
S.Steel Gastronorm Tray	•
Standard Flat Grill Rack / removable no.	1 / -
S.Steel Perforated Tray with Lid	-
Glass turntable plate	•
Round Grill Rack	•
POWER RATING	
Max oven electrical power (W)	3200 W
Voltage / Frequency (V - Hz)	220 - 240 V; 50 Hz
Cord / Plug	• / Schuko
DIMENSIONS	
Dim. Product (W x H x D) mm	754 x 474 x 564
Built-In Cut Out (W x H x D) mm	722 x 463 x 560 *