

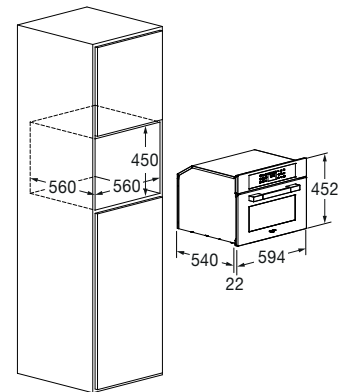


Combi Steam Oven 45

FUTSO 4510 TEM IX



- Stainless steel finish
- 11 functions
- AirFry (oven-frying) function
- Creative Extended controls
- Meat probe
- Steam cooking
- Combined cooking
- Steam recovery cycle
- CLEAN assisted cleaning cycle
- 3-pane glass cool-touch door
- Energy Class A++



Features

Steam ovens cook food gently, healthily, and efficiently while preserving its organoleptic properties. The control panel has different functions, including preset steam cooking functions and the possibility to modify the recipes. With the Meat Probe, you can obtain perfect results because it allows you to monitor the cooking progress by measuring the food core temperature. This product comes with the following accessories: a meat probe, a perforated tray with lid, a stainless steel support for perforated tray, a stainless steel tray, a flat grill rack and a water tank.



STAINLESS STEEL
FUTSO 4510 TEM IX
EAN 8019801034727

URBANTECH TOUCH

45 STEAM OVEN COMBI



FUTSO 4510 TEM IX	
Type	Combined Steam
Finish	Stainless steel
FEATURES	
Interiors: enamelled / other	Stainless steel
Efficiency class	A ++
Capacity (litres)	34 L
Forced cooling / Meat probe	• / •
Functions n.	11
PERFORMANCE	
Max cooking temperature	230°C
AirFry (oven-frying)	•
Pre-loaded and editable recipes	•
Steam 100 °C / 130 °C	• / •
Puff function	•
Steam + Thermoventilated	•
Assisted cleaning (CLEAN)	•
Grill power (W)	1500 W
CONTROLS	
Operating system	Creactive Extended
Easy access / Auto power off	• / •
SAFETY	
Safe door / no. of glass panes	• / 3
ISafety switch	•
ACCESSORIES	
Lighting (Halogen, 25 W) no.	1
Removable Water Tank	1,4 L
S.Steel Gastronorm Tray	1 / Inox AISI 304
Standard Flat Grill Rack / removable no.	1 / 1
S.Steel Perforated Tray with Lid	•
POWER RATING	
Max electrical power (W)	3200 W
Voltage / Frequency (V - Hz)	220 - 240 V ; 50 Hz
Power cord / Plug	• / Schuko
DIMENSIONS	
Width (mm)	594
Height (mm)	452
Depth (mm)	562
Built-In Cut Out (W x H x D) mm	560 x 450 x 560