



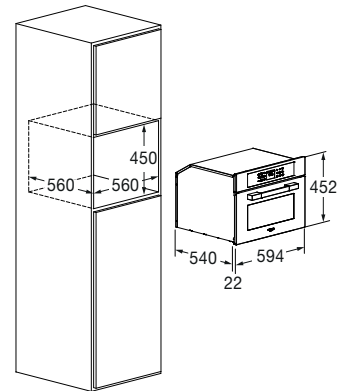
Microwave combi oven 60x45



FUTMO 4510 TEM MBK



- Matte Black Metal finish
- 10 functions
- AirFry (oven-frying) function
- Creative Extended controls
- Automatic Cooking
- Microwave with 6 power levels
- Microwave & ventilation
- Microwave & grill
- Defrosting
- 3-pane glass cool-touch door



Features

The control panel has different functions, including preset cooking functions and the possibility to modify the recipes. Fulgor Milano combi oven is the solution to heat and cook food quickly, combining the advantages of a microwave oven with a traditional ventilated one. A complete and performing household appliance in a small space. With the microwave & ventilation function, you can cook golden brown dishes on the outside and well-cooked on the inside. This product comes with the following accessories: a glass turntable plate, a stainless steel tray, a flat grill rack and a round grill rack.



MATTE BLACK METAL
FUTMO 4510 TEM IX
EAN 8019801034734

URBANTECH TOUCH

MICROWAVE OVEN 60X45



FUTCMO 4510 TEM MBK	
Type	Combined Microwave
Finish	Matte black
FEATURES	
Interiors: enamelled / other	Stainless steel
Capacity (litres)	34 L
Forced cooling	•
Functions no.	10
PERFORMANCE	
Max cooking temperature	230°C
AirFry (oven-frying)	•
Pre-loaded and editable recipes	•
Defrosting (time/weight)	•
Microwave with grill	• / •
Microwave + Convection	•
Microwave power (W)	900 W
Microwave power levels	6
Grill power (W)	1500 W
CONTROLS	
Operating system	Creactive Extended
Auto power off	•
SAFETY	
Door with safety switch	•
Safe door / no. of glass panes	• / 3
Panel lock	•
ACCESSORIES	
Lighting (Halogen, 25 W) no	1
S.Steel Gastronorm Tray / plane grid	1 / •
Glass turntable plate	•
Round Grill Rack	•
POWER RATING	
Max electrical power (W)	3200 W
Voltage / Frequency (V - Hz)	220 - 240 V ; 50 Hz
Power cord / Plug	• / Schuko
DIMENSIONS	
Width (mm)	594
Height (mm)	452
Depth (mm)	562
Built-In Cut Out (W x H x D) mm	560 x 450 x 560