

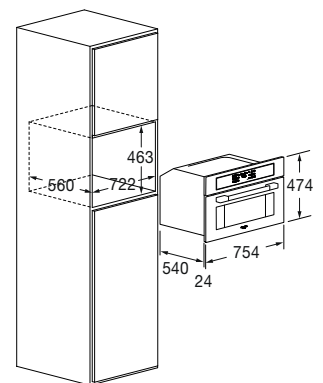


30" Combined Steam oven

FUTSO 310 TEM MBK



- Matte Black Metal finish
- 12 combined functions
- AirFry (oven-frying) function
- Creative Extended controls
- Meat probe
- Steam recovery cycle
- Combined cooking
- CLEAN assisted cleaning cycle
- 3-pane glass cool-touch door



Features

The control panel has different functions, including preset cooking functions and the possibility to modify the recipes. With the Meat Probe, you can obtain perfect results because it allows you to monitor the cooking progress by measuring the food core temperature.

This product comes with the following accessories: a glass turntable plate, a stainless steel tray, a flat grill rack and a round grill rack.



MATTE BLACK METAL
FUTSO 310 TEM MBK
EAN 8019801034635

URBANTECH TOUCH

30" STEAM OVEN



FUTSO 310 TEM MBK	
Type	Combined Steam
Finish / Temperature regulation	Matte Black Metal / Electronic
FUNCTIONS	
Microwave / Steam cooking	- / •
AirFry (oven-frying)	•
Steam heating	•
Microwave / steam convection oven	- / •
Steam cleaning / circuit	•
Puff function	•
Convection bake	•
Convection roast	•
Grilling	•
Eco Convection bake	•
Recipes	•
Oven lights	•
CONTROL PANEL	
Operating system	Creactive Extended
Display	TFT 3.5"
Recipe menu	•
Controls / Languages	Double Full Touch Display / 15
FEATURES	
Manual quick pre-heating	-
Meat probe	•
12 / 24 clock format °C / °F	•
Cool-touch door	•
OVEN CAPACITY	
Gross capacity (litres)	34 L
Interiors:	Stainless steel
Rack position	3
Lighting (Halogen, 25 W) no.	1
Upper heating element for grilling	1500 W
Steam generator / microwave	800 W
Lower heating element power	300 W
Convection element power	1500 W
ACCESSORIES	
Removable Water Tank	•
S.Steel Gastronorm Tray	•
Standard Flat Grill Rack / removable no.	1 / 1
S.Steel Perforated Tray with Lid	•
Glass turntable plate	-
Round Grill Rack	-
POWER RATING	
Max oven electrical power (W)	3200 W
Voltage / Frequency (V - Hz)	220 - 240V; 50 Hz
Cord / Plug	• / Schuko
DIMENSIONS	
Dim. Product (W x H x D) mm	754 x 474 x 564
Built-In Cut Out (W x H x D) mm	722 x 463 x 560 *