

FTHD 900 PT SS
FTHD 900 TC SSBKG
FTIHD 1202 TC SSBKG

HOOD

EN

INSTRUCTIONS FOR INSTALLATION AND USE

GB



The symbol on the product or on its packaging indicates that this product may not be treated as household waste. Instead it shall be handed over to the applicable collection point for the recycling of electrical and electronic equipment. By ensuring this product is disposed of correctly, you will help prevent potential negative consequences for the environment and human health, which could otherwise be caused by inappropriate waste handling of this product. For more detailed information about recycling of this product, please contact your local city office, your household waste disposal service or the shop where you purchased the product. This appliance is marked according to the European directive 2012/19/EC on waste electrical and electronic equipment (WEEE).

CONTENTS

GB

Warnings

Installation

Working

Maintenance

Wiring diagram

WARNINGS

* The appliance is not intended for use by young children or infirm persons without supervision. Young children should be supervised to ensure they do not play with the appliance.

* The air sucked can't be conveyed through or into a duct used to let out fumes from appliances fed by energy other than electric power (eg. centralized heating, radiators, water-heaters, etc.).

* To evacuate the air outlet, please comply with the pertaining rules given by competent authorities.

* Provide the room with an adequate aeration when a cooker hood and appliances fed by energy other than electric power (gas-, oil-, or coal-stoves, etc.) are used simultaneously. The cooker hood, when evacuating the sucked air, could generate a negative pressure in the room- which can't exceed the limit of 0.04 mbar, in order to avoid the suck of exhausts deriving from the heat-source. Therefore the room should be provided with air-intakes to allow a constant flow of fresh air.

* When performing the electrical connections on the appliance, please make sure that the current-tap is provided with earth connection and that voltage values correspond to those indicated on the label placed inside the appliance itself.

* Before carrying out any cleaning or maintaining operations, the appliance needs to be removed from the electric grid. If the appliance is not provided with a non-separable flexible cable and plug, or with another device ensuring omnipolar disconnections from the grid, with an opening distance between the contacts of at least 3 mm, then such disconnecting devices must be supplied within the fixed installation.

If the fixed appliance is endowed with a supply cord and a plug, the appliance has to be put in a place where the plug can be reached easily.

* The use of materials which can burst into flames should be avoided in close proximity of the appliance. When frying, please pay particular attention to fire risk due to oil grease. Being highly inflammable, fried oil is especially dangerous. Do not use uncovered electric grills. In order to avoid possible fire risk, all instructions for grase-filter cleaning and for removing eventual grease deposits should be strictly followed.

Do not flambé under the range hood.

CAUTION: Accessible parts may become hot when used with cooking appliances.

INSTALLATION

Before installing the appliance, make sure that none of the parts is damaged in any way.

In case of damaged parts, contact your retailer and do not proceed with installation.

Read all of the following instructions with care before installing the appliance.

- Use an air outlet pipe of the shortest possible length.

- Limit the number of pipe bends.

- Use a material approved by standards and regulations.

- Avoid any sudden changes in pipe section (recommended constant diameter: 150 mm or equal surface area).

Diameter 200mm for the 120Cm version (or equal surface area).

* Before installing the appliance, in order not to damage the appliance itself, the metal grease filter should be removed. Such filter can be removed by pushing the special filter handle toward the back side of the cooker hood and turning it downwards so to unfasten it from its slot (Fig. 1).

* By using the special drilling jig (Fig. 2X), perforate the wall according to the pattern indicated by the jig itself, and pay attention in order not to damage water pipes and electric wires. Perforation should be performed with a \varnothing 8 mm wall-drill. Then insert into the proper plastic reinforcements (Fig. 2A). The hood-bearing stirrup (Fig. 2S) can be applied by using the screws provided with the equipment (Fig. 2B). Now hook the cooker hood onto its bearing (Fig. 3) and then adjust horizontally and vertically the position of the appliance by acting on the special metric screws (Fig. 4V,T).

Fixing the ornamental chimney

* Before fixing the chimney, place the electric feeding equipment into the ornamental pipe and provide it with a hole for the air outlet if the appliance is used in its sucking version.

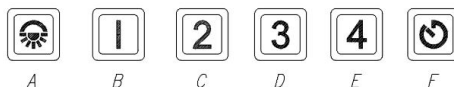
Fix the supporting bracket of the chimney to the wall or to ceiling (fig. 5), install both chimneys in their suitable place above the hood, then lift the upper chimney (the internal one) until it reaches the supporting bracket, previously installed.

Fix the upper chimney both in the right and in the left side through the two screws supplied.

Warning: Failure to install the screws or fixing device in accordance with these instructions may result in electrical hazards.

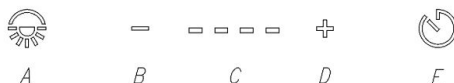
WORKING

Mod. FTHD 900 PT SS



- A: Light switch on/off
- B: Motor switch on/off (1st rate level)
- C: 2nd rate level switch
- D: 3rd rate level switch
- E: 4th rate level switch
- F: 10-minute timer.

Mod. FTHD 900 TC SSBKG- FTIHD 1202 TC SSBKG



- A: Light switch On/Off
- B: Reduce speed / OFF motor
- C: Luminous telltale
- D: ON motor/increase speed
- E: 10 - minute timer

MAINTENANCE

An accurate maintenance guarantees good functioning and long-lasting performance.

* Particular care is due to the grease filter panel. It can be removed by pushing its special handle toward the back-side of the cooker hood and turning the filter downwards so to unfasten it from its slot (Fig.1).

To insert the filter just perform the opposite operation.

After 30 hours working the push button control panel will signal the saturation of the grease filter by lighting all the buttons.

The grease filter needs cleaning by regular hand-washing or in dishwashers every two months at least or depending on its use.

How to remove the oil tank.

First, remove the grease filter, Then place your hand under the oil tank and unfasten the handles (Pic. 7 – 8) Eventually remove the oil tank, paying attention to the leaking oil.

* To clean the appliance itself tepid water and neutral detergent are recommended, while abrasive products should be avoided. For steel appliances specialized detergents are recommended (please follow the instructions indicated on the product itself to obtain the desired results).

* If the supply cord is damaged, it must be replaced by the manufacturer or its service agent or a similarly qualified person in order to avoid a hazard.

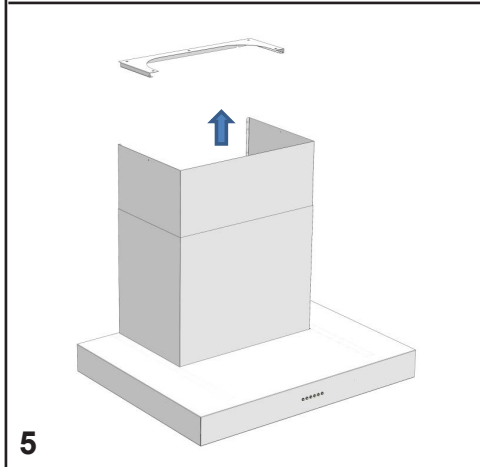
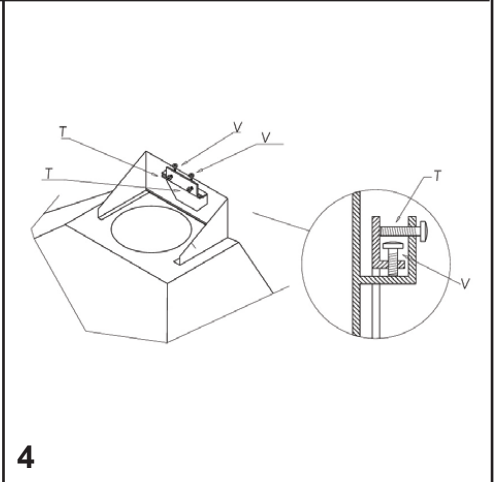
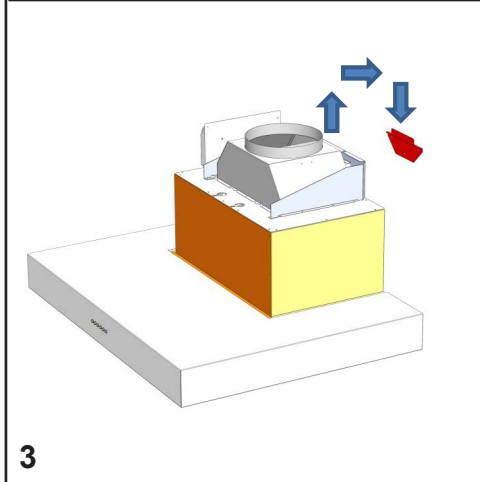
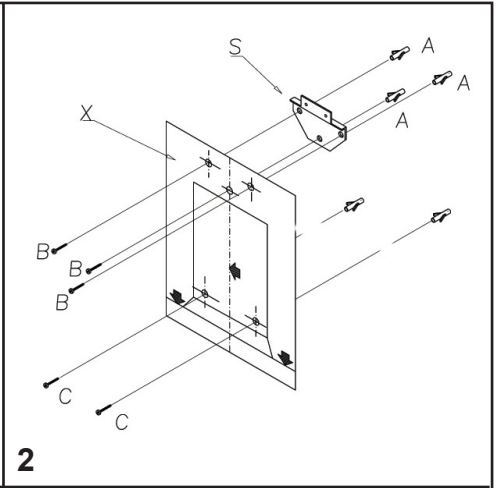
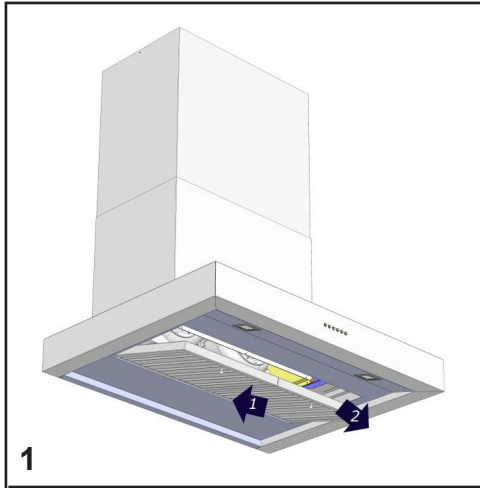
There is a fire risk if cleaning is not carried **out in accordance with the instructions.**

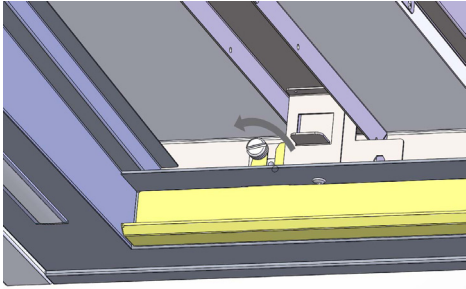
Replace the led bar

Before to replace the led bar switch off the appliance then by using appropriate tools remove the led bar from its slot (Pic. 9).

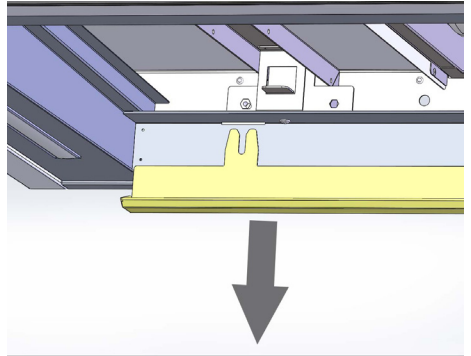
Take out the led bar from its connector and replace with similar characteristics.

To find the correct led bar please check on the replacement part list.





7



8



9

FULGOR
MILANO

— SINCE 1949 —